

www.eastbrooktrade.com



NEW PRODUCTS

New Ranges To Issue 47

NEW VANITY



NEW BATHS



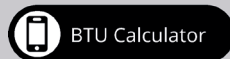
NEW RADIATORS



NEW ENCLOSURES



NEW ACCESSORIES



We have tried to ensure that all price and product information is correct at the time of going to print. However, the specifications contained in this catalogue are for information purposes only and are subject to change. Due to our ongoing policy of product development and improvement, all prices, specifications and features are subject to change without prior notice. Errors and omissions excepted.

Beaufort Baths



Lundy Offset Corner	2-3
Chislehurst	4
Freestanding	
Wickham	5
Freestanding	
Portland Single Ended	6-9
Portland Single Ended, Twin Grip	10-13
Portland L-Shape	14-17
Portland P-Shape	18-21
Biscay Double Ended	22-23
Malin D-Shape	24-25
Back to Wall	
Malin Single Ended	26-29
Malin Double Ended	30-33
Shannon L-Shape	34-37
Shannon P-Shape	38-41

Bath Panels & Shower Screens



Designer Bath Screen	42
Beaufort & Vantage Bath Screens	43

Vanity & Fitted Furniture Ranges



Cavone Units	44-49
Hardwick Units	50-55

Shower Enclosures



Vantage 2000	56
Pivot Door	
Vantage 2000	57
Quadrant	
Vantage 2000	58
Offset Quadrant	
Vantage 2000	59
Sliding Door	
Vantage 2000	60
Bi-Fold Door	
Corniche 2000	61-63
Sliding Door	

Panelling



Hydropanel Shower Panelling	64-65
PVC wide panels	66-67

Heated Towel Rails & Radiators



Multirail range	68-75
Dry Element range	76-79
Designer range	80-95
Traditional range	96-113
Elements	114-119
Valves	120-121

Showering



Shower bundles	122-125
Traditional & modern shower valves	126
Shower poles	127
Shower handset	128-130
Hoses	130
Elbows & Shower Handset Holder	131
Shower arms	132-133
Shower heads	134-135

Taps, Wastes & Accessories



Abberton Range	136
Abberton Range	137
Bath Filler	

Lundy OFFSET CORNER

Located off the Southwestern coast of England, the Lundy Sea region includes some of Great Britain's finest Coastlines. Stretching from the shores of Cornwall, Devon, and Somerset; to the westerly tip of Wales. Designed for luxury bathing within a limited space, the Lundy can be installed in the corner of your bathroom so you can relax in luxurious comfort in a smaller bathroom space.

Within the bath is an integrated seating area that provides more options to use this bath to the full. This space efficient bath provides a large bathing area and is 420mm at its deepest point, ensuring a deep, comfortable soak.

Available in left & right-handed variants of 1500x1040. The Lundy is offered in both 5mm acrylic & ultra-strong Beauforté, which significantly extends the life of the bath.



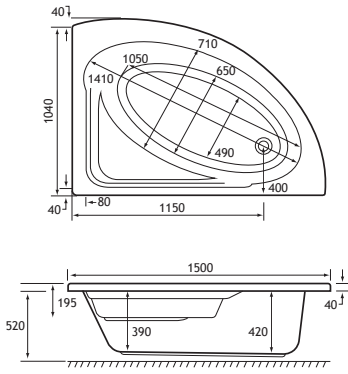
PRODUCT FEATURES

- 4 Offset Corner models
- Each available in:
5mm Acrylic & Ultra
Strong Beauforté
- Supplied without
pre-drilled tap holes or waste
fittings.
- 420mm depth on all
Offset Corner models



Lundy Offset Corner LH 42.0221

OFFSET CORNER Lundy

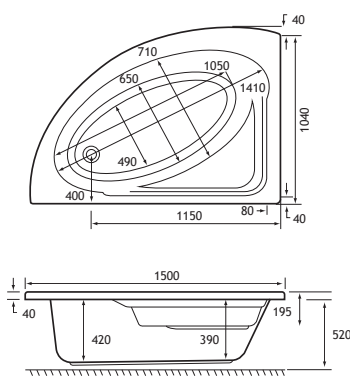


1500 x 1040 LH NEW

1500 x 1040 x 420mm

216 Litres

DESCRIPTION	CODE	£ EX VAT	£ INC VAT
1500 x 1040 Lundy Offset Corner LH - 5mm	42.0221	533.00	639.60
1500 x 1040 Lundy Offset Corner LH - Beauforté	42.1221	864.00	1036.80
PANELS			
Lundy Offset Corner Bath Panel - 5mm	42.5081	123.00	147.61
Lundy Offset Corner Bath Panel - Beauforté	42.6081	343.00	411.64



1500 x 1040 RH NEW

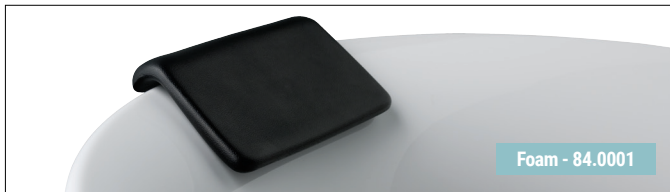
1500 x 1040 x 420mm

216 Litres

DESCRIPTION	CODE	£ EX VAT	£ INC VAT
1500 x 1040 Lundy Offset Corner RH - 5mm	42.0222	533.00	639.60
1500 x 1040 Lundy Offset Corner RH - Beauforté	42.1222	864.00	1036.80
PANELS			
Lundy Offset Corner Bath Panel - 5mm	42.5081	123.00	147.61
Lundy Offset Corner Bath Panel - Beauforté	42.6081	343.00	411.64



Headrests



DESCRIPTION	CODE	£ EX VAT	£ INC VAT
Universal Foam Headrest	84.0001	39.00	46.80



DESCRIPTION	CODE	£ EX VAT	£ INC VAT
Universal PU Gel Headrest	84.0000	76.00	91.20



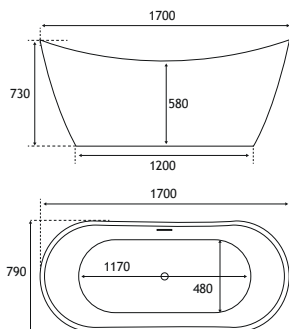
Lundy Offset Corner RH 42.1222

Chislehurst FREESTANDING



PRODUCT FEATURES

- 1 model
- Gloss White
- Double skinned 4mm acrylic
- Supplied with white waste fittings & slimline slotted overflow
- 580mm depth on all Chislehurst Freestanding baths
- 5 year warranty



1700 x 790 FS

1700 x 790 x 730mm

260 Litres

DESCRIPTION	CODE	£ EX VAT	£ INC VAT
1700 x 790 Chislehurst Freestanding Bath - Gloss White	33.0009	1109.00	1330.81

About: Model comes with bath waste & overflow.

580 DEPTH

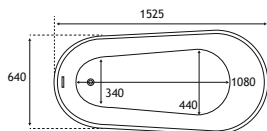
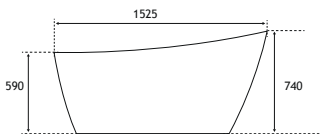
HEAD REST

BEAUFORT

FREESTANDING Wickham

PRODUCT FEATURES

- 2 models
- Gloss White
- Double skinned 4mm acrylic
- Supplied with white waste fittings & slimline slotted overflow
- 740mm depth on all Wickham Freestanding baths
- 5 year warranty



1525 x 640 FS

1525 x 640 x 590mm

202 Litres

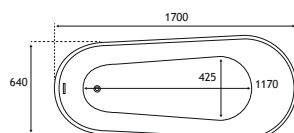
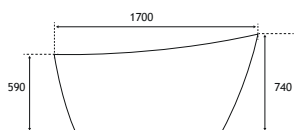
DESCRIPTION	CODE	£ EX VAT	£ INC VAT
1525 x 640 Wickham Freestanding Bath - Gloss White	33.0011	988.00	1185.61

About: Model comes with bath waste & overflow.

590 DEPTH

HEAD REST

BEAUFORT



1700 x 640 FS

1700 x 640 x 590mm

230 Litres

DESCRIPTION	CODE	£ EX VAT	£ INC VAT
1700 x 640 Wickham Freestanding Bath - Gloss White	33.0010	1018.00	1221.61

About: Model comes with bath waste & overflow.

590 DEPTH

HEAD REST

BEAUFORT

Portland SINGLE ENDED

Situated in the mild depths of the English Channel, the Portland sea region is located along the Jurassic Coast, famous for its geology and striking landforms. Named after this area, the Portland bath is a stunning, minimalist bathing solution, available in both single and double ended variants, with or without grips. Featuring a modern angular design with straight sides and a sloping back, the Portland is surprisingly deep, providing a generous, warm, and relaxing bath.

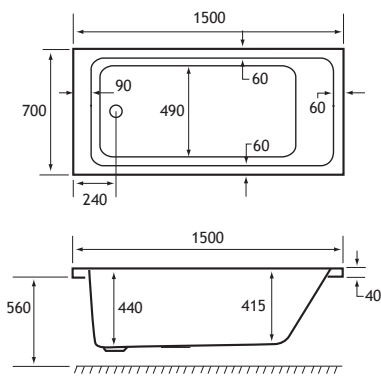
The Portland is available in a wide range of bath sizes and in a choice of thickness - 5mm acrylic or ultra-strong Beauforté, which significantly extends the life of the bath.



PRODUCT FEATURES

- 20 models
- Each available in: 5mm Acrylic & Ultra Strong Beauforté
- Supplied without pre-drilled tap holes or waste fittings
- 440mm depth on all Portland SE models
- Sloping back rest for lumbar support

1500 x 700 SE



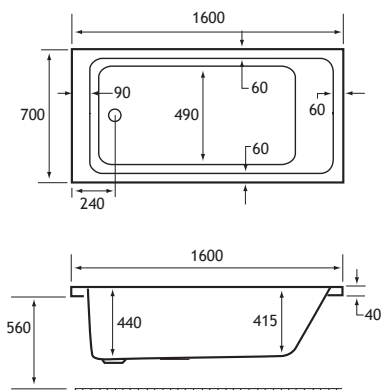
1500 x 700 x 440mm

192 Litres

DESCRIPTION	CODE	£ EX VAT	£ INC VAT
1500 x 700 Portland - 5mm	42.0019	284.00	340.80
1500 x 700 Portland - Beauforté	42.1019	521.00	625.20
PANELS			
1500 x 560 Front Panel	42.5017	114.00	136.80
700 x 560 End Panel	42.5024	69.00	82.80
1500 x 560 Front Panel - Beauforté	42.6017	192.00	230.40
700 x 560 End Panel - Beauforté	42.6024	114.00	136.80
1500 Adjustable Front Panel - Beauforté	42.6034	277.00	332.40
1810 x 810 L Shape Flat Panel - Beauforté	42.6035	367.00	440.40



1600 x 700 SE



1600 x 700 x 440mm

209 Litres

DESCRIPTION	CODE	£ EX VAT	£ INC VAT
1600 x 700 Portland - 5mm	42.0018	284.00	340.80
1600 x 700 Portland - Beauforté	42.1018	521.00	625.20
PANELS			
1600 x 560 Front Panel	42.5016	114.00	136.80
700 x 560 End Panel	42.5024	69.00	82.80
1600 x 560 Front Panel - Beauforté	42.6016	192.00	230.40
700 x 560 End Panel - Beauforté	42.6024	114.00	136.80
1810 x 810 L Shape Flat Panel - Beauforté	42.6035	367.00	440.40



Universal Fittings

ALL 5mm & Beauforté baths come complete with Universal Fittings such as legs, feet & wall brackets etc. Organised ready for your bath installer to fit with ease.



SINGLE ENDED Portland

Bath Screens
Page 100-107

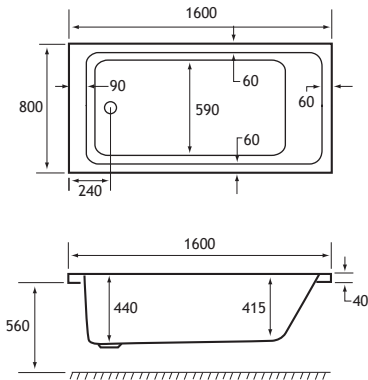


Portland SE shown. Taps for illustration

Adjustable bath panels on page 98-99

Portland SINGLE ENDED

1600 x 800 SE



1600 x 800 x 440mm

241 Litres

DESCRIPTION	CODE	£ EX VAT	£ INC VAT
1600 x 800 SE Portland - 5mm	42.0017	387.00	464.40
1600 x 800 SE Portland - Beauforté	42.1017	671.00	805.20
PANELS			
1600 x 560 SE Front Panel - 5mm	42.5016	114.00	136.80
800 x 560 SE End Panel	42.5022	69.00	82.80
1600 x 560 Front Panel - Beauforté	42.6016	192.00	230.40
800 x 560 End Panel - Beauforté	42.6022	124.00	148.80
1810 x 810 L Shape Flat Panel - Beauforté	42.6035	367.00	440.40



SHOWER



HEAD REST

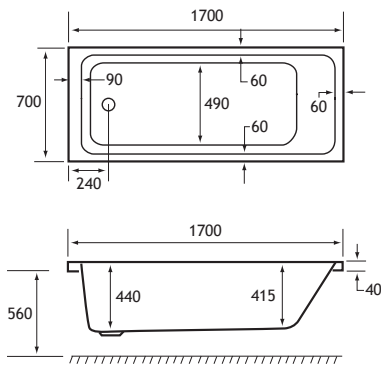


440 DEPTH



ULTRA STRONG

1700 x 700 SE



1700 x 700 x 440mm

230 Litres

DESCRIPTION	CODE	£ EX VAT	£ INC VAT
1700 x 700 SE Portland - 5mm	42.0016	284.00	340.80
1700 x 700 SE Portland - Beauforté	42.1016	521.00	625.20
PANELS			
1700 x 560 Front Panel	42.5013	114.00	136.80
700 x 560 End Panel	42.5024	69.00	82.80
1700 x 560 Front Panel - Beauforté	42.6013	192.00	230.40
700 x 560 End Panel - Beauforté	42.6024	114.00	136.80
1700 Adjustable Front Panel - Beauforté	42.6033	277.00	332.40
1810 x 810 L Shape Flat Panel - Beauforté	42.6035	367.00	440.40



SHOWER



HEAD REST

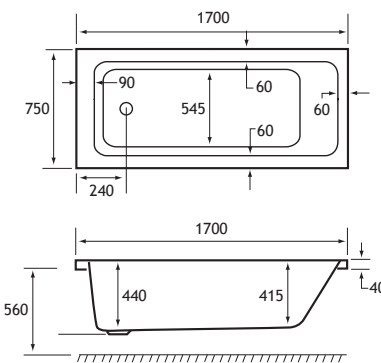


440 DEPTH



ULTRA STRONG

1700 x 750 SE



1700 x 750 x 440mm

248 Litres

DESCRIPTION	CODE	£ EX VAT	£ INC VAT
1700 x 750 SE Portland - 5mm	42.0015	350.00	420.00
1700 x 750 SE Portland - Beauforté	42.1015	620.00	744.00
PANELS			
1700 x 560 Front Panel	42.5013	114.00	136.80
750x560 End Panel	42.5023	69.00	82.80
1700 x 560 Front Panel - Beauforté	42.6013	192.00	230.40
750 x 560 End Panel - Beauforté	42.6023	114.00	136.80
1700 Adjustable Front Panel - Beauforté	42.6033	277.00	332.40
1810 x 810 L Shape Flat Panel - Beauforté	42.6035	367.00	440.40



SHOWER



HEAD REST

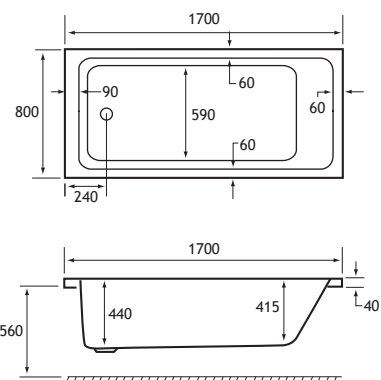


440 DEPTH



ULTRA STRONG

1700 x 800 SE



1700 x 800 x 440mm

264 Litres

DESCRIPTION	CODE	£ EX VAT	£ INC VAT
1700 x 800 SE Portland - 5mm	42.0014	387.00	464.40
1700 x 800 SE Portland - Beauforté	42.1014	671.00	805.20
PANELS			
1700 x 560 Front Panel	42.5013	114.00	136.80
800x560 End Panel	42.5022	69.00	82.80
1700 x 560 Front Panel - Beauforté	42.6013	192.00	230.40
800 x 560 End Panel - Beauforté	42.6022	124.00	148.80
1700 Adjustable Front Panel - Beauforté	42.6033	277.00	332.40
1810 x 810 L Shape Flat Panel - Beauforté	42.6035	367.00	440.40



SHOWER



HEAD REST



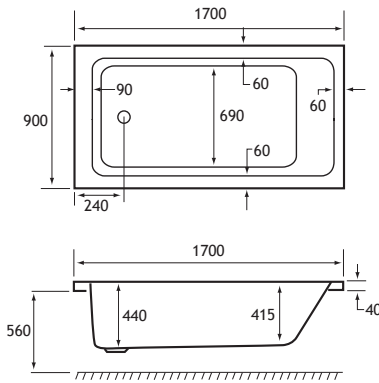
440 DEPTH



ULTRA STRONG

SINGLE ENDED Portland

1700 x 900 SE



1700 x 900 x 440mm

297 Litres

DESCRIPTION	CODE	£ EX VAT	£ INC VAT
1700 x 900 SE Portland - 5mm	42.0013	431.00	517.20
1700 x 900 SE Portland - Beauforté	42.1013	735.00	882.00
PANELS			
1700 x 560 Front Panel	42.5013	114.00	136.80
900x560 End Panel	42.5021	69.00	82.80
1700 x 560 Front Panel - Beauforté	42.6013	192.00	230.40
900 x 560 End Panel - Beauforté	42.6021	137.00	164.40
1700 Adjustable Front Panel - Beauforté	42.6033	277.00	332.40



SHOWER



HEAD REST



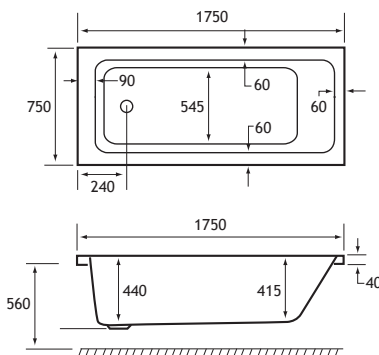
440 DEPTH



ULTRA STRONG

NEW

1750 x 750 SE



1750 x 750 x 440mm

258 Litres

DESCRIPTION	CODE	£ EX VAT	£ INC VAT
1750 x 750 SE Portland - 5mm	42.0020	480.00	576.00
1750 x 750 SE Portland - Beauforté	42.1020	795.00	954.00
PANELS			
1750 x 560 Front Panel	42.5018	128.00	153.61
750x560 End Panel	42.5023	69.00	82.80
1750 x 560 Front Panel - Beauforté	42.6018	200.00	240.00
750 x 560 End Panel - Beauforté	42.6023	114.00	136.80
1700 Adjustable Front Panel - Beauforté	42.6033	277.00	332.40
1810 x 810 L Shape Flat Panel - Beauforté	42.6035	367.00	440.40



SHOWER



HEAD REST

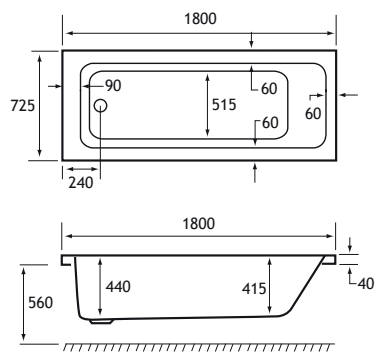


440 DEPTH



ULTRA STRONG

1800 x 725 SE



1800 x 725 x 440mm

250 Litres

DESCRIPTION	CODE	£ EX VAT	£ INC VAT
1800 x 725 SE Portland - 5mm	42.0012	378.00	453.60
1800 x 725 SE Portland - Beauforté	42.1012	658.00	789.60
PANELS			
1800 x 560 Front Panel	42.5012	127.00	152.40
750x560 End Panel*	42.5023	69.00	82.80
1800 x 560 Front Panel - Beauforté	42.6012	203.00	243.60
750 x 560 End Panel - Beauforté*	42.6023	114.00	136.80
1800 Adjustable Front Panel - Beauforté	42.6032	288.00	345.60
1810 x 810 L Shape Flat Panel - Beauforté	42.6035	367.00	440.40



SHOWER



HEAD REST



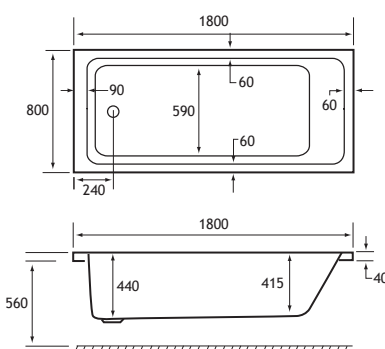
440 DEPTH



ULTRA STRONG

* Panel requires cutting down

1800 x 800 SE



1800 x 800 x 440mm

283 Litres

DESCRIPTION	CODE	£ EX VAT	£ INC VAT
1800 x 800 SE Portland - 5mm	42.0011	418.00	501.60
1800 x 800 SE Portland - Beauforté	42.1011	718.00	861.60
PANELS			
1800 x 560 Front Panel	42.5012	127.00	152.40
800x560 End Panel	42.5022	69.00	82.80
1800 x 560 Front Panel - Beauforté	42.6012	203.00	243.60
800 x 560 End Panel - Beauforté	42.6022	124.00	148.80
1800 Adjustable Front Panel - Beauforté	42.6032	288.00	345.60
1810 x 810 L Shape Flat Panel - Beauforté	42.6035	367.00	440.40



SHOWER



HEAD REST



440 DEPTH



ULTRA STRONG

Portland SINGLE ENDED, TWIN GRIP

Situated in the mild depths of the English Channel, the Portland sea region is located along the Jurassic Coast, famous for its geology and striking landforms. Named after this area, the Portland bath is a stunning, minimalist bathing solution, available in both single and double ended variants, with or without grips. Featuring a modern angular design with straight sides and a sloping back, the Portland is surprisingly deep, providing a generous, warm, and relaxing bath.

The Portland is available in a wide range of bath sizes and in a choice of thickness - 5mm acrylic or ultra-strong Beauforté, which significantly extends the life of the bath.



PRODUCT FEATURES

- 16 models
- Each available in: 5mm Acrylic & Ultra Strong Beauforté
- Supplied without pre-drilled tap holes or waste fittings
- 440mm depth on all Portland SE models
- Twin grips available in 6 colours (**Sold separately**)



Bath Screens
Page 100-107

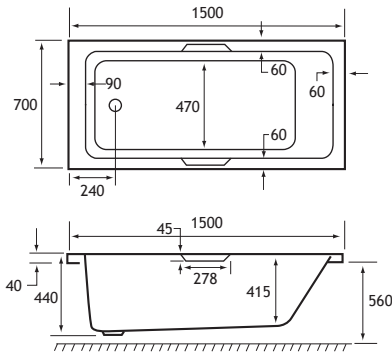


Portland SE TG shown. [Grips sold separately.](#)

[Adjustable bath panels](#) on page 98-99

SINGLE ENDED, TWIN GRIP Portland

1500 x 700 SE TG Grips Sold Separately - Page 21



1500 x 700 x 440mm		200 Litres	
DESCRIPTION	CODE	£ EX VAT	£ INC VAT
1500 x 700 TG Portland - 5mm	42.0028	289.00	346.80
1500 x 700 TG Portland - Beauforté	42.1028	528.00	633.60
PANELS			
1500 x 560 Front Panel	42.5017	114.00	136.80
700 x 560 End Panel	42.5024	69.00	82.80
1500 x 560 Front Panel - Beauforté	42.6017	192.00	230.40
700 x 560 End Panel - Beauforté	42.6024	114.00	136.80
1500 Adjustable Front Panel - Beauforté	42.6034	277.00	332.40
1810 x 810 L Shape Flat Panel - Beauforté	42.6035	367.00	440.40

SHOWER

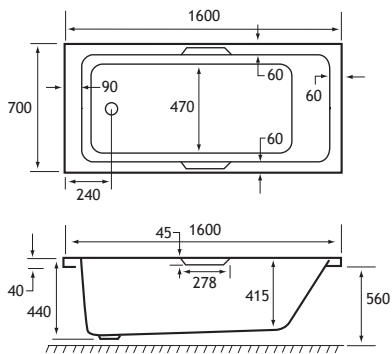
GRIPS

440 DEPTH

HEAD REST

ULTRA STRONG

1600 x 700 SE TG Grips Sold Separately - Page 21



1600 x 700 x 440mm		209 Litres	
DESCRIPTION	CODE	£ EX VAT	£ INC VAT
1600 x 700 TG Portland - 5mm	42.0027	289.00	346.80
1600 x 700 TG Portland - Beauforté	42.1027	528.00	633.60
PANELS			
1600 x 560 Front Panel	42.5016	114.00	136.80
700 x 560 End Panel	42.5024	69.00	82.80
1600 x 560 Front Panel - Beauforté	42.6016	192.00	230.40
700 x 560 End Panel - Beauforté	42.6024	114.00	136.80
1810 x 810 L Shape Flat Panel - Beauforté	42.6035	367.00	440.40

SHOWER

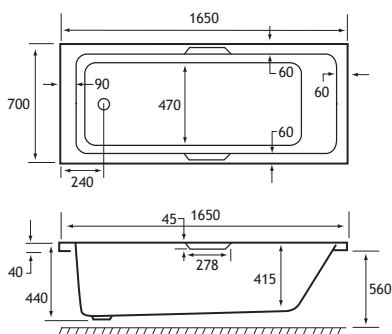
GRIPS

440 DEPTH

HEAD REST

ULTRA STRONG

1650 x 700 SE TG Grips Sold Separately - Page 21



1650 x 700 x 440mm		224 Litres	
DESCRIPTION	CODE	£ EX VAT	£ INC VAT
1650 x 700 TG Portland - 5mm	42.0026	289.00	346.80
1650 x 700 TG Portland - Beauforté	42.1026	528.00	633.60
PANELS			
1650 x 560 Front Panel	42.5015	114.00	136.80
700 x 560 End Panel	42.5024	69.00	82.80
1650 x 560 Front Panel - Beauforté	42.6015	192.00	230.40
700 x 560 End Panel - Beauforté	42.6024	114.00	136.80
1810 x 810 L Shape Flat Panel - Beauforté	42.6035	367.00	440.40

SHOWER

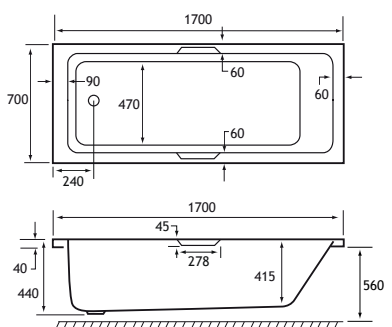
GRIPS

440 DEPTH

HEAD REST

ULTRA STRONG

1700 x 700 SE TG Grips Sold Separately - Page 21



1700 x 700 x 440mm		230 Litres	
DESCRIPTION	CODE	£ EX VAT	£ INC VAT
1700 x 700 TG Portland - 5mm	42.0025	289.00	346.80
1700 x 700 TG Portland - Beauforté	42.1025	528.00	633.60
PANELS			
1700 x 560 Front Panel	42.5013	114.00	136.80
700 x 560 End Panel	42.5024	69.00	82.80
1700 x 560 Front Panel - Beauforté	42.6013	192.00	230.40
700 x 560 End Panel - Beauforté	42.6024	114.00	136.80
1700 Adjustable Front Panel - Beauforté	42.6033	277.00	332.40
1810 x 810 L Shape Flat Panel - Beauforté	42.6035	367.00	440.40

SHOWER

GRIPS

440 DEPTH

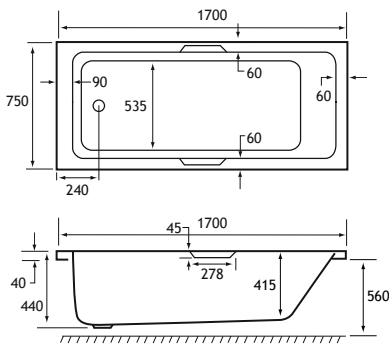
HEAD REST






ULTRA STRONG

Portland SINGLE ENDED, TWIN GRIP

1700 x 750 SE TG Grips Sold Separately

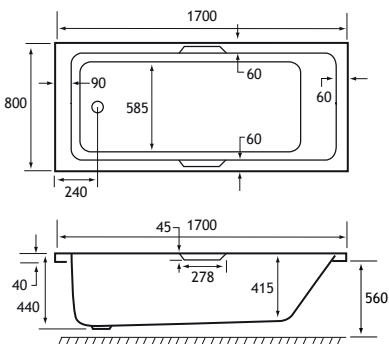
1700 x 750 x 440mm		248 Litres	
DESCRIPTION	CODE	£ EX VAT	£ INC VAT
1700 x 750 TG Portland - 5mm	42.0024	368.00	441.60
1700 x 750 TG Portland - Beauforté	42.1024	645.00	774.00
PANELS			
1700 x 560 Front Panel	42.5013	114.00	136.80
750x560 End Panel	42.5023	69.00	82.80
1700 x 560 Front Panel - Beauforté	42.6013	192.00	230.40
750 x 560 End Panel - Beauforté	42.6023	114.00	136.80
1700 Adjustable Front Panel - Beauforté	42.6033	277.00	332.40
1810 x 810 L Shape Flat Panel - Beauforté	42.6035	367.00	440.40








-  SHOWER
-  GRIPS
-  440 DEPTH
-  HEAD REST
-  ULTRA STRONG

1700 x 800 SE TG Grips Sold Separately

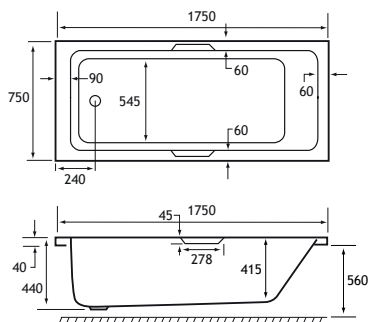
1700 x 800 x 440mm		264 Litres	
DESCRIPTION	CODE	£ EX VAT	£ INC VAT
1700 x 800 TG Portland - 5mm	42.0022	404.00	484.80
1700 x 800 TG Portland - Beauforté	42.1022	697.00	836.40
PANELS			
1700 x 560 Front Panel	42.5013	114.00	136.80
800x560 End Panel	42.5022	69.00	82.80
1700 x 560 Front Panel - Beauforté	42.6013	192.00	230.40
800 x 560 End Panel - Beauforté	42.6022	124.00	148.80
1700 Adjustable Front Panel - Beauforté	42.6033	277.00	332.40
1810 x 810 L Shape Flat Panel - Beauforté	42.6035	367.00	440.40








-  SHOWER
-  GRIPS
-  440 DEPTH
-  HEAD REST
-  ULTRA STRONG

NEW 1750 x 750 SE TG Grips Sold Separately

1750 x 750 x 440mm		258 Litres	
DESCRIPTION	CODE	£ EX VAT	£ INC VAT
1750 x 750 TG Portland - 5mm	42.0023	487.00	584.40
1750 x 750 TG Portland - Beauforté	42.1023	766.00	919.20
PANELS			
1750 x 560 Front Panel	42.5018	128.00	153.61
750x560 End Panel	42.5023	69.00	82.80
1750 x 560 Front Panel - Beauforté	42.6018	200.00	240.00
750 x 560 End Panel - Beauforté	42.6023	114.00	136.80
1700 Adjustable Front Panel - Beauforté	42.6033	277.00	332.40
1810 x 810 L Shape Flat Panel - Beauforté	42.6035	367.00	440.40



-  SHOWER
-  GRIPS
-  440 DEPTH
-  HEAD REST
-  ULTRA STRONG

Universal Fittings

ALL 5mm & Beauforté baths come complete with Universal Fittings such as legs, feet & wall brackets etc. Organised ready for your bath installer to fit with ease.

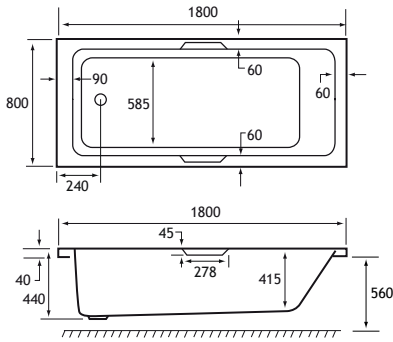


SINGLE ENDED, TWIN GRIP Portland






1800 x 800 SE TG Grips Sold Separately

1800 x 800 x 440mm

283 Litres



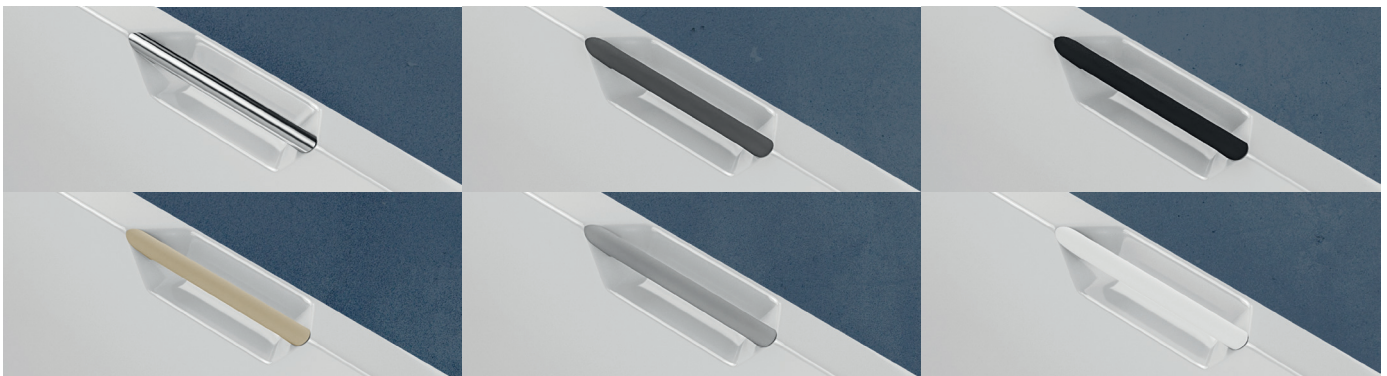
DESCRIPTION	CODE	£ EX VAT	£ INC VAT
1800 x 800 TG Portland - 5mm	42.0021	435.00	522.00
1800 x 800 TG Portland - Beauforté	42.1021	742.00	890.40
PANELS			
1800 x 560 Front Panel	42.5012	127.00	152.40
800x560 End Panel	42.5022	69.00	82.80
1800 x 560 Front Panel - Beauforté	42.6012	203.00	243.60
800 x 560 End Panel - Beauforté	42.6022	124.00	148.80
1800 Adjustable Front Panel - Beauforté	42.6032	288.00	345.60
1810 x 810 L Shape Flat Panel - Beauforté	42.6035	367.00	440.40

-  SHOWER
-  GRIPS
-  440 DEPTH
-  HEAD REST
-  ULTRA STRONG



Portland SE TG shown. [Grips sold separately.](#) Compatible bath screens on page 100-107 Adjustable bath panels on page 98-99

Twin Grips (Pair)



DESCRIPTION	CODE	£ EX VAT	£ INC VAT
Chrome Grips (pair)	42.0001	39.00	46.80
Matt White Grips (pair)	42.0002	51.00	61.20
Matt Grey Grips (pair)	42.0003	51.00	61.20

DESCRIPTION	CODE	£ EX VAT	£ INC VAT
Matt Black Grips (pair)	42.0004	51.00	61.20
Matt Cappuccino Grips (pair)	42.0005	51.00	61.20
Matt Anthracite Grips (pair)	42.0006	51.00	61.20

Portland L-SHAPE

Situated in the mild depths of the English Channel, the Portland sea region is located along the Jurassic Coast, famous for its geology and striking landforms. Named after this area, the Portland bath is a stunning, minimalist bathing solution. Featuring a modern angular design with straight sides and a sloping back, the Portland is surprisingly deep, providing a generous, warm, and relaxing bath.

The Portland L-Shape is available in a wide range of bath sizes and in a choice of thickness - 5mm acrylic or ultra-strong Beauforté, which significantly extends the life of the bath.



PRODUCT FEATURES

- 8 models
- Each available in: 5mm Acrylic & Ultra Strong Beauforté
- Supplied without pre-drilled tap holes or waste fittings
- 440mm depth on all Portland SE models
- Wider space at one end for showering



Bath Screens
Page 100-107



Portland L-Shape RH shown with Helston bath filler 93.0011

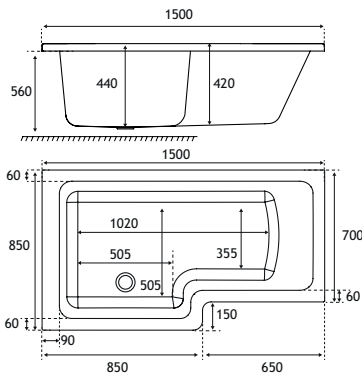
L-SHAPE Portland

1500 x 850 LH

NEW BEAUFORTÉ PANELS

1500 x 850 x 700 x 440mm

224 Litres



DESCRIPTION	CODE	£ EX VAT	£ INC VAT
1500 x 850 LH Portland - 5mm	42.0183	475.00	570.00
1500 x 850 LH Portland - Beauforté	42.1183	785.00	942.00
PANELS			
1500 x 560 L-Shape Front Panel	42.5062	124.00	148.80
1500 x 560 L-Shape Front Panel - Beauforté	42.6062	350.00	420.00
L-Shape Universal End Panel	42.5063	70.00	84.00
L-Shape Universal End Panel - Beauforté	42.6063	123.00	147.61
BATH SCREENS			
Beaufort Screen 1400mm	58.4000	335.00	402.00
Beaufort Screen 1400mm with Towel Rail	69.0141	450.00	540.00



SHOWER



440 DEPTH



HEAD REST



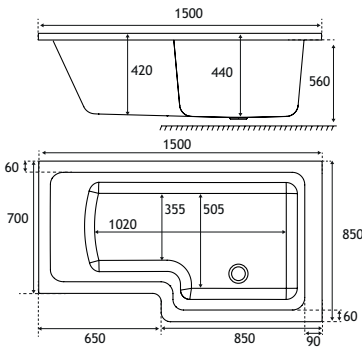
ULTRA STRONG

1500 x 850 RH

NEW BEAUFORTÉ PANELS

1500 x 850 x 700 x 440mm

224 Litres



DESCRIPTION	CODE	£ EX VAT	£ INC VAT
1500 x 850 RH Portland - 5mm	42.0184	475.00	570.00
1500 x 850 RH Portland - Beauforté	42.1184	785.00	942.00
PANELS			
1500 x 560 L-Shape Front Panel	42.5062	124.00	148.80
1500 x 560 L-Shape Front Panel - Beauforté	42.6062	350.00	420.00
L-Shape Universal End Panel	42.5063	70.00	84.00
L-Shape Universal End Panel - Beauforté	42.6063	123.00	147.61
BATH SCREENS			
Beaufort Screen 1400mm	58.4000	335.00	402.00
Beaufort Screen 1400mm with Towel Rail	69.0141	450.00	540.00



SHOWER



440 DEPTH



HEAD REST



ULTRA STRONG

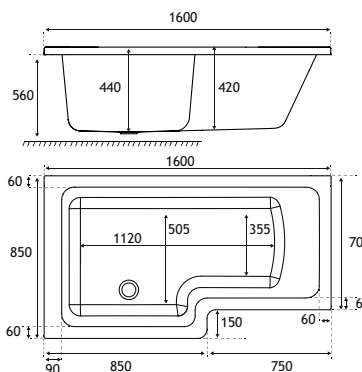
NEW

1600 x 850 LH

NEW BEAUFORTÉ PANELS

1600 x 850 x 700 x 440mm

249 Litres



DESCRIPTION	CODE	£ EX VAT	£ INC VAT
1600 x 850 LH Portland - 5mm	42.0231	475.00	570.00
1600 x 850 LH Portland - Beauforté	42.1231	785.00	942.00
PANELS			
1600 x 560 L-Shape Front Panel	42.5067	121.00	145.21
1600 x 560 L-Shape Front Panel - Beauforté	42.6067	350.00	420.00
L-Shape Universal End Panel	42.5063	70.00	84.00
L-Shape Universal End Panel - Beauforté	42.6063	123.00	147.61
BATH SCREENS			
Beaufort Screen 1400mm	58.4000	335.00	402.00
Beaufort Screen 1400mm with Towel Rail	69.0141	450.00	540.00



SHOWER



440 DEPTH



HEAD REST



ULTRA STRONG



Complete the LOOK

Helston Bath Filler

Description	Code	£ Ex VAT	£ Inc VAT
Helston Bath Filler Gloss White	93.0014	198.00	237.60
Helston Bath Filler Chrome	93.0011	176.00	211.20
Helston Bath Filler Matt Smooth Black	93.0020	198.00	237.60

MP - 0.5 bar minimum

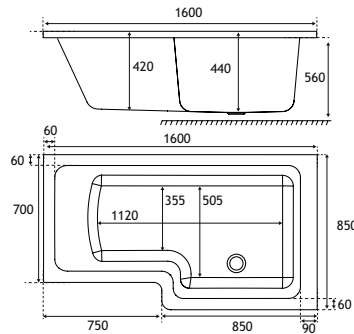
Portland L-SHAPE

NEW

1600 x 850 RH

1600 x 850 x 700 x 440mm

249 Litres



DESCRIPTION	CODE	£ EX VAT	£ INC VAT
1600 x 850 RH Portland - 5mm	42.0232	475.00	570.00
1600 x 850 RH Portland - Beauforté	42.1232	785.00	942.00
PANELS			
1600 x 560 L-Shape Front Panel	42.5067	121.00	145.21
1600 x 560 L-Shape Front Panel - Beauforté	42.6067	350.00	420.00
L-Shape Universal End Panel	42.5063	70.00	84.00
L-Shape Universal End Panel - Beauforté	42.6063	123.00	147.61
BATH SCREENS			
Beaufort Screen 1400mm	58.4000	335.00	402.00
Beaufort Screen 1400mm with Towel Rail	69.0141	450.00	540.00



SHOWER



440 DEPTH



HEAD REST



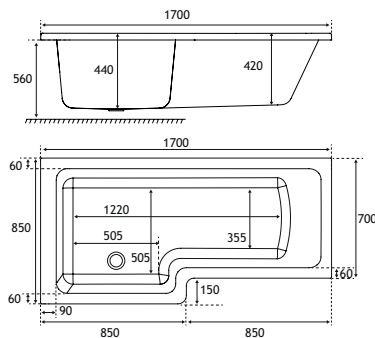
ULTRA STRONG

1700 x 850 LH

NEW BEAUFORTÉ PANELS

1700 x 850 x 700 x 440mm

274 Litres



DESCRIPTION	CODE	£ EX VAT	£ INC VAT
1700 x 850 LH Portland - 5mm	42.0181	475.00	570.00
1700 x 850 LH Portland - Beauforté	42.1181	785.00	942.00
PANELS			
1700 x 560 L-Shape Front Panel	42.5061	124.00	148.80
1700 x 560 L-Shape Front Panel - Beauforté	42.6061	350.00	420.00
L-Shape Universal End Panel	42.5063	70.00	84.00
L-Shape Universal End Panel - Beauforté	42.6063	123.00	147.61
BATH SCREENS			
Beaufort Screen 1400mm	58.4000	335.00	402.00
Beaufort Screen 1400mm with Towel Rail	69.0141	450.00	540.00



SHOWER



440 DEPTH



HEAD REST



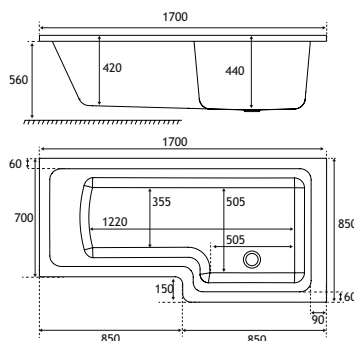
ULTRA STRONG

1700 x 850 RH

NEW BEAUFORTÉ PANELS

1700 x 850 x 700 x 440mm

274 Litres



DESCRIPTION	CODE	£ EX VAT	£ INC VAT
1700 x 850 RH Portland - 5mm	42.0182	475.00	570.00
1700 x 850 RH Portland - Beauforté	42.1182	785.00	942.00
PANELS			
1700 x 560 L-Shape Front Panel	42.5061	124.00	148.80
1700 x 560 L-Shape Front Panel - Beauforté	42.6061	350.00	420.00
L-Shape Universal End Panel	42.5063	70.00	84.00
L-Shape Universal End Panel - Beauforté	42.6063	123.00	147.61
BATH SCREENS			
Beaufort Screen 1400mm	58.4000	335.00	402.00
Beaufort Screen 1400mm with Towel Rail	69.0141	450.00	540.00



SHOWER



440 DEPTH



HEAD REST



ULTRA STRONG

Universal Fittings

ALL 5mm & Beauforté baths come complete with Universal Fittings such as legs, feet & wall brackets etc. Organised ready for your bath installer to fit with ease.



L-SHAPE Portland

Complete the LOOK

Description	Colour	Code	£ Ex VAT	£ Inc VAT
Helston Bath Filler	Chrome	93.0011	176.00	211.20
Modern Round Thermostatic Shower Pole	Chrome	60.1001	224.00	268.80
Volente 6mm Hinge Bath Screen	Chrome	58.702	216.00	259.20



Portland L-Shape LH shown

Portland P-SHAPE

Situated in the mild depths of the English Channel, the Portland sea region is located along the Jurassic Coast, famous for its geology and striking landforms. Named after this area, the Portland bath is a stunning, minimalist bathing solution. Featuring a modern angular design with straight sides and a sloping back, the Portland is surprisingly deep, providing a generous, warm, and relaxing bath.

The Portland P-Shape is available in a wide range of bath sizes and in a choice of thickness - 5mm acrylic or ultra-strong Beauforté, which significantly extends the life of the bath.



PRODUCT FEATURES

- 8 models
- Each available in: 5mm Acrylic & Ultra Strong Beauforté
- Supplied without pre-drilled tap holes or waste fittings
- 440mm depth on all Portland SE models
- Wider curved space at one end for showering



Bath Screens
Page 100 - 107



Portland P-Shape LH shown with Helston bath filler 93.0011

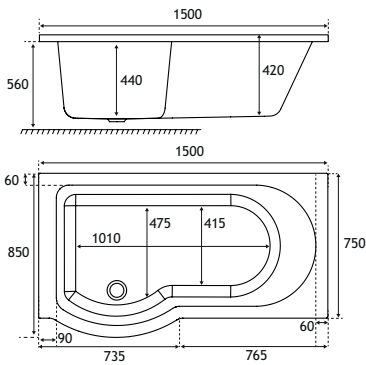
P-SHAPE Portland

1500 x 850 LH

NEW BEAUFORTÉ PANELS

1500 x 850 x 750 x 440mm

196 Litres



DESCRIPTION	CODE	£ EX VAT	£ INC VAT
1500 x 850 LH Portland - 5mm	42.0187	475.00	570.00
1500 x 850 LH Portland - Beauforté	42.1187	785.00	942.00

PANELS

1500 x 560 P-Shape Front Panel	42.5065	124.00	148.80
1500 x 560 P-Shape Front Panel - Beauforté	42.6065	343.00	411.64
P-Shape Universal End Panel	42.5066	70.00	84.00
P-Shape Universal End Panel - Beauforté	42.6066	123.00	147.61

BATH SCREENS

C Shape Screen 6mm easy clean	69.0140	229.00	274.80
C Shape Screen 6mm with towel rail	69.0143	413.00	495.60



SHOWER



440 DEPTH



HEAD REST



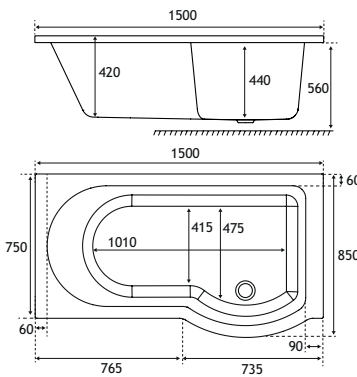
ULTRA STRONG

1500 x 850 RH

NEW BEAUFORTÉ PANELS

1500 x 850 x 750 x 440mm

196 Litres



DESCRIPTION	CODE	£ EX VAT	£ INC VAT
1500 x 850 RH Portland - 5mm	42.0188	475.00	570.00
1500 x 850 RH Portland - Beauforté	42.1188	785.00	942.00

PANELS

1500 x 560 P-Shape Front Panel	42.5065	124.00	148.80
1500 x 560 P-Shape Front Panel - Beauforté	42.6065	343.00	411.64
P-Shape Universal End Panel	42.5066	70.00	84.00
P-Shape Universal End Panel - Beauforté	42.6066	123.00	147.61

BATH SCREENS

C Shape Screen 6mm easy clean	69.0140	229.00	274.80
C Shape Screen 6mm with towel rail	69.0143	413.00	495.60



SHOWER



440 DEPTH



HEAD REST



ULTRA STRONG

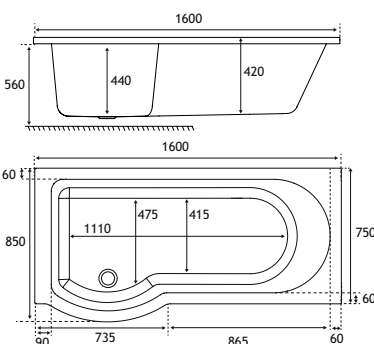
NEW

1600 x 850 LH

NEW BEAUFORTÉ PANELS

1600 x 850 x 750 x 440mm

239 Litres



DESCRIPTION	CODE	£ EX VAT	£ INC VAT
1600 x 850 LH Portland - 5mm	42.0233	475.00	570.00
1600 x 850 LH Portland - Beauforté	42.1233	785.00	942.00

PANELS

1600 x 560 P-Shape Front Panel	42.5068	121.00	145.21
1600 x 560 P-Shape Front Panel - Beauforté	42.6068	343.00	411.60
P-Shape Universal End Panel	42.5066	70.00	84.00
P-Shape Universal End Panel - Beauforté	42.6066	123.00	147.61

BATH SCREENS

C Shape Screen 6mm easy clean	69.0140	229.00	274.80
C Shape Screen 6mm with towel rail	69.0143	413.00	495.60



SHOWER



440 DEPTH



HEAD REST



ULTRA STRONG



MP - 0.5 bar minimum

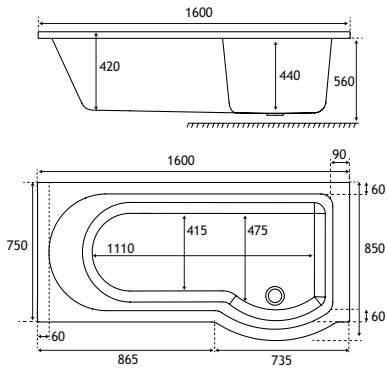
Complete the LOOK

Helston Bath Filler

Description	Code	£ Ex VAT	£ Inc VAT
Helston Bath Filler Gloss White	93.0014	198.00	237.60
Helston Bath Filler Chrome	93.0011	176.00	211.20
Helston Bath Filler Matt Smooth Black	93.0020	198.00	237.60

Portland P-SHAPE

NEW **1600 x 850 RH**



1600 x 850 x 750 x 440mm

239 Litres

DESCRIPTION	CODE	£ EX VAT	£ INC VAT
1600 x 850 RH Portland - 5mm	42.0234	475.00	570.00
1600 x 850 RH Portland - Beauforté	42.1234	785.00	942.00

PANELS			
1600 x 560 P-Shape Front Panel	42.5068	121.00	145.21
1600 x 560 P-Shape Front Panel - Beauforté	42.6068	343.00	411.60
P-Shape Universal End Panel	42.5066	70.00	84.00
P-Shape Universal End Panel - Beauforté	42.6066	123.00	147.61

BATH SCREENS			
C Shape Screen 6mm easy clean	69.0140	229.00	274.80
C Shape Screen 6mm with towel rail	69.0143	413.00	495.60



SHOWER



440 DEPTH

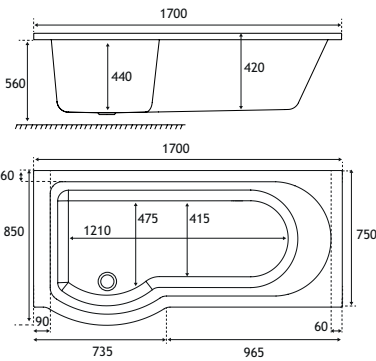


HEAD REST



ULTRA STRONG

1700 x 850 LH **NEW BEAUFORTÉ PANELS**



1700 x 850 x 750 x 440mm

258 Litres

DESCRIPTION	CODE	£ EX VAT	£ INC VAT
1700 x 850 LH Portland - 5mm	42.0185	475.00	570.00
1700 x 850 LH Portland - Beauforté	42.1185	785.00	942.00

PANELS			
1700 x 560 P-Shape Front Panel	42.5064	124.00	148.80
1700 x 560 P-Shape Front Panel - Beauforté	42.6064	343.00	411.64
P-Shape Universal End Panel	42.5066	70.00	84.00
P-Shape Universal End Panel - Beauforté	42.6066	123.00	147.61

BATH SCREENS			
C Shape Screen 6mm easy clean	69.0140	229.00	274.80
C Shape Screen 6mm with towel rail	69.0143	413.00	495.60



SHOWER



440 DEPTH

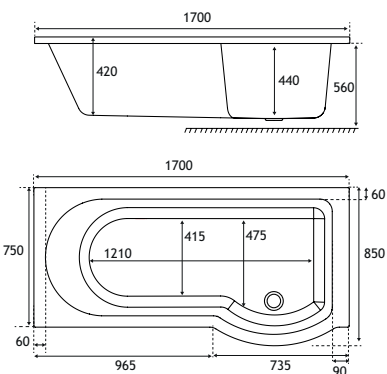


HEAD REST



ULTRA STRONG

1700 x 850 RH **NEW BEAUFORTÉ PANELS**



1700 x 850 x 750 x 440mm

258 Litres

DESCRIPTION	CODE	£ EX VAT	£ INC VAT
1700 x 850 RH Portland - 5mm	42.0186	475.00	570.00
1700 x 850 RH Portland - Beauforté	42.1186	785.00	942.00

PANELS			
1700 x 560 L-Shape Front Panel	42.5064	124.00	148.80
1700 x 560 P-Shape Front Panel - Beauforté	42.6064	343.00	411.64
P-Shape Universal End Panel	42.5066	70.00	84.00
P-Shape Universal End Panel - Beauforté	42.6066	123.00	147.61

BATH SCREENS			
C Shape Screen 6mm easy clean	69.0140	229.00	274.80
C Shape Screen 6mm with towel rail	69.0143	413.00	495.60



SHOWER



440 DEPTH



HEAD REST



ULTRA STRONG

Universal Fittings

ALL 5mm & Beauforté baths come complete with Universal Fittings such as legs, feet & wall brackets etc. Organised ready for your bath installer to fit with ease.



P-SHAPE Portland

Complete the LOOK

Description	Colour	Code	£ Ex VAT	£ Inc VAT
Abberton Bath Filler	Brushed Brass	79.1043	155.00	186.00
Modern Square Thermostatic Shower Pole	Brushed Brass	60.1006	291.00	349.20
P-Shape Bath Screen 6mm - Right Hand	Brushed Brass	49.2006	233.00	279.60

Brushed Brass colour shown in images are subject to the limitations of the printing process and may appear different.



Portland P-Shape RH shown

Biscay DOUBLE ENDED

Located in the curved gulf where the west coast of France meets the north of Spain, the Biscay sea region is notorious for some of the fiercest weather conditions of the Atlantic Ocean. The robust double ended Biscay bath is reminiscent of this region, with a distinctive rounded end corner surrounded by a 40mm deep ledge. This space efficient bath provides a large bathing area and is 440mm at its deepest point, ensuring a luxurious, comfortable soak.

The Biscay is available in left or right-handed bath variants, and in a choice of 1600x725mm, 1700x750mm, and 1700x800mm. The range is offered in both 5mm acrylic and ultra-strong Beauforté, which significantly extends the life of the bath.

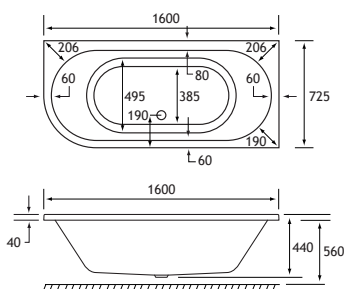


PRODUCT FEATURES

- 12 models
- Each available in: 5mm Acrylic & Ultra Strong Beauforté
- Supplied without pre-drilled tap holes or waste fittings
- 440mm depth on all Biscay DE models
- Curved space saving style with one piece panel



Biscay DE Left Hand shown with Falmouth bath filler 93.0002



1600 x 725 DE RH

NEW BEAUFORTÉ PANELS

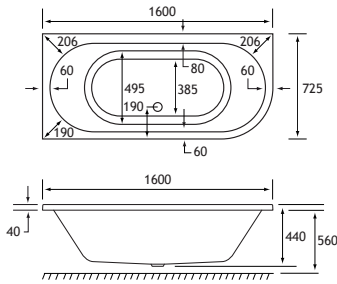
1600 x 725 x 440mm		188 Litres	
DESCRIPTION	CODE	£ EX VAT	£ INC VAT
1600 x 725 DE RH Biscay - 5mm	42.0056	349.00	418.80
1600 x 725 DE RH Biscay - Beauforté	42.1056	618.00	741.60
PANELS			
Biscay Panel 1600 x 725	42.5003	226.00	271.20
Biscay Panel 1600 x 725 - Beauforté	42.6003	385.00	462.00

440 DEPTH

HEAD REST

ULTRA STRONG

DOUBLE ENDED Biscay



1600 x 725 DE LH

NEW BEAUFORTÉ PANELS

1600 x 725 x 440mm

188 Litres

DESCRIPTION	CODE	£ EX VAT	£ INC VAT
1600 x 725 DE LH Biscay - 5mm	42.0055	349.00	418.80
1600 x 725 DE LH Biscay - Beauforté	42.1055	618.00	741.60

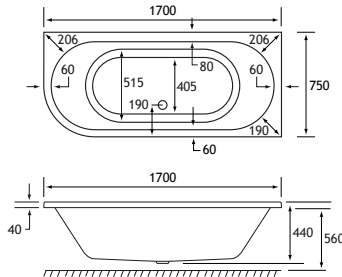
PANELS

Biscay Panel 1600 x 725	42.5003	226.00	271.20
Biscay Panel 1600 x 725 - Beauforté	42.6003	385.00	462.00

440 DEPTH

HEAD REST

ULTRA STRONG



1700 x 750 DE RH

NEW BEAUFORTÉ PANELS

1700 x 750 x 440mm

208 Litres

DESCRIPTION	CODE	£ EX VAT	£ INC VAT
1700 x 750 DE RH Biscay - 5mm	42.0054	349.00	418.80
1700 x 750 DE RH Biscay - Beauforté	42.1054	618.00	741.60

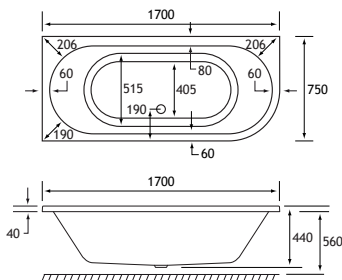
PANELS

Biscay Panel 1700 x 750	42.5002	226.00	271.20
Biscay Panel 1700 x 750 - Beauforté	42.6002	385.00	462.00

440 DEPTH

HEAD REST

ULTRA STRONG



1700 x 750 DE LH

NEW BEAUFORTÉ PANELS

1700 x 750 x 440mm

208 Litres

DESCRIPTION	CODE	£ EX VAT	£ INC VAT
1700 x 750 DE LH Biscay - 5mm	42.0053	349.00	418.80
1700 x 750 DE LH Biscay - Beauforté	42.1053	618.00	741.60

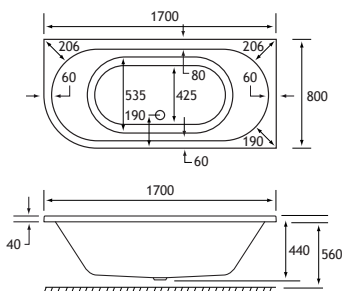
PANELS

Biscay Panel 1700 x 750	42.5002	226.00	271.20
Biscay Panel 1700 x 750 - Beauforté	42.6002	385.00	462.00

440 DEPTH

HEAD REST

ULTRA STRONG



1700 x 800 DE RH

NEW BEAUFORTÉ PANELS

1700 x 800 x 440mm

219 Litres

DESCRIPTION	CODE	£ EX VAT	£ INC VAT
1700 x 800 DE RH Biscay - 5mm	42.0052	363.00	435.60
1700 x 800 DE RH Biscay - Beauforté	42.1052	637.00	764.40

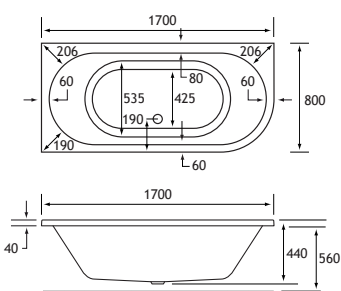
PANELS

Biscay Panel 1700 x 800	42.5001	226.00	271.20
Biscay Panel 1700 x 800 - Beauforté	42.6001	385.00	462.00

440 DEPTH

HEAD REST

ULTRA STRONG



1700 x 800 DE LH

NEW BEAUFORTÉ PANELS

1700 x 800 x 440mm

219 Litres

DESCRIPTION	CODE	£ EX VAT	£ INC VAT
1700 x 800 DE LH Biscay - 5mm	42.0051	363.00	435.60
1700 x 800 DE LH Biscay - Beauforté	42.1051	637.00	764.40

PANELS

Biscay Panel 1700 x 800	42.5001	226.00	271.20
Biscay Panel 1700 x 800 - Beauforté	42.6001	385.00	462.00

440 DEPTH

HEAD REST

ULTRA STRONG

Malin D-SHAPE BACK TO WALL

Malin is the sea region off the rugged Irish north coast, renowned for its strong sea winds, majestic landscapes, and high tides. The strength and clarity of the Malin bath is suggestive of this region, with its minimalist, clean lines, and gently curved back rest support. Featuring narrow ledges on 3 sides, the ultra-modern design of the Malin offers a larger internal bathing space than a deeper-sided bath of the same dimensions.

The range is offered in both 5mm acrylic and ultra-strong Beauforté, which significantly extends the life of the bath.



PRODUCT FEATURES

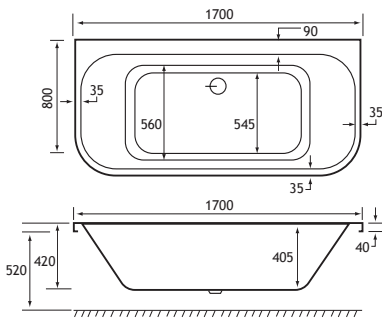
- 2 D-Shape models
- Each available in: 5mm Acrylic & Ultra Strong Beauforté
- Supplied without pre-drilled tap holes or waste fittings
- 440mm depth on all D-Shape BTW models
- Modern thin rim for maximised bathing space



Malin D Shape BTW shown with Helston bath filler 93.0011

D-SHAPE BACK TO WALL Malin

NEW 1700 x 800 BTW



1700 x 800 x 440mm

254 Litres

DESCRIPTION	CODE	£ EX VAT	£ INC VAT
1700 x 800 Malin D-Shape BTW - 5mm	42.0241	533.00	639.60
1700 x 800 Malin D-Shape BTW - Beauforté	42.1241	872.00	1046.40

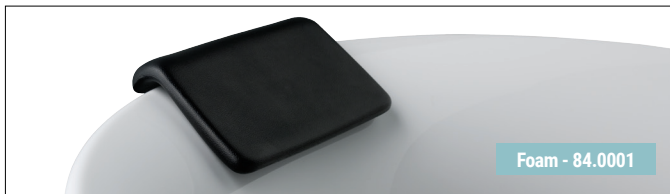
PANELS	CODE	£ EX VAT	£ INC VAT
1700 x 800 D-Shape One Piece Front Panel - 5mm	42.5091	263.00	315.63

HEAD REST

440 DEPTH

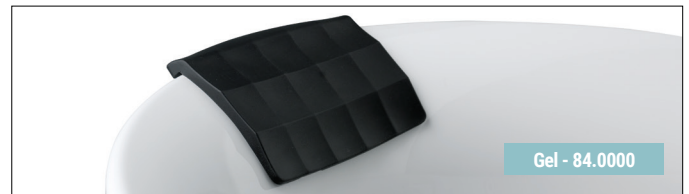
ULTRA STRONG

Headrests



Foam - 84.0001

DESCRIPTION	CODE	£ EX VAT	£ INC VAT
Universal Foam Headrest	84.0001	39.00	46.80



Gel - 84.0000

DESCRIPTION	CODE	£ EX VAT	£ INC VAT
Universal PU Gel Headrest	84.0000	76.00	91.20



Malin SINGLE ENDED

Malin is the sea region off the rugged Irish north coast, renowned for its strong sea winds, majestic landscapes, and high tides. The strength and clarity of the Malin bath is suggestive of this region, with its minimalist, clean lines, and gently curved back rest support. Featuring narrow ledges on 3 sides, the ultra-modern design of the Malin offers a larger internal bathing space than a deeper-sided bath of the same dimensions.

The Malin is available in both single-ended and double-ended bath variants and in a wide choice of sizes. The range is offered in both 5mm acrylic and ultra-strong Beauforté, which significantly extends the life of the bath.



PRODUCT FEATURES

- 12 SE models
- Each available in: 5mm Acrylic & Ultra Strong Beauforté
- Supplied without pre-drilled tap holes or waste fittings
- 440mm depth on all Malin SE models
- Modern thin rim for maximised bathing space



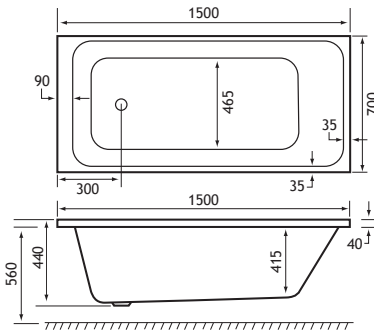
Malin SE shown. Adjustable bath panels on page 98 - 99

SINGLE ENDED Malin

1500 x 700 SE

1500 x 700 x 440mm

212 Litres



DESCRIPTION	CODE	£ EX VAT	£ INC VAT
1500 x 700 Malin - 5mm	42.0065	307.00	368.40
1500 x 700 Malin - Beauforté	42.1065	556.00	667.20
PANELS			
1500 x 560 Front Panel	42.5017	114.00	136.80
700 x 560 End Panel	42.5024	69.00	82.80
1500 x 560 Front Panel - Beauforté	42.6017	192.00	230.40
700 x 560 End Panel - Beauforté	42.6024	114.00	136.80
1500 Adjustable Front Panel - Beauforté	42.6034	277.00	332.40
1810 x 810 L Shape Flat Panel - Beauforté	42.6035	367.00	440.40



SHOWER



HEAD REST



440 DEPTH

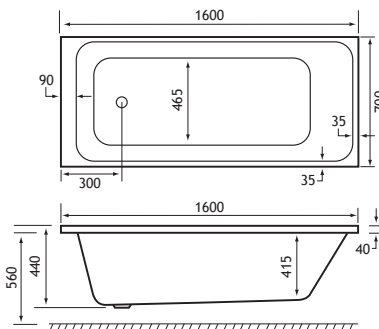


ULTRA STRONG

1600 x 700 SE

1600 x 700 x 440mm

230 Litres



DESCRIPTION	CODE	£ EX VAT	£ INC VAT
1600 x 700 Malin - 5mm	42.0064	307.00	368.40
1600 x 700 Malin - Beauforté	42.1064	556.00	667.20
PANELS			
1600 x 560 Front Panel	42.5016	114.00	136.80
700 x 560 End Panel	42.5024	69.00	82.80
1600 x 560 Front Panel - Beauforté	42.6016	192.00	230.40
700 x 560 End Panel - Beauforté	42.6024	114.00	136.80
1810 x 810 L Shape Flat Panel - Beauforté	42.6035	367.00	440.40



SHOWER



HEAD REST



440 DEPTH

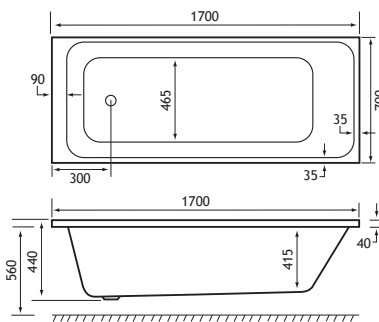


ULTRA STRONG

1700 x 700 SE

1700 x 700 x 440mm

238 Litres



DESCRIPTION	CODE	£ EX VAT	£ INC VAT
1700 x 700 Malin - 5mm	42.0063	307.00	368.40
1700 x 700 Malin - Beauforté	42.1063	556.00	667.20
PANELS			
1700 x 560 Front Panel	42.5013	114.00	136.80
700 x 560 End Panel	42.5024	69.00	82.80
1700 x 560 Front Panel - Beauforté	42.6013	192.00	230.40
700 x 560 End Panel - Beauforté	42.6024	114.00	136.80
1700 Adjustable Front Panel - Beauforté	42.6033	277.00	332.40
1810 x 810 L Shape Flat Panel - Beauforté	42.6035	367.00	440.40



SHOWER



HEAD REST



440 DEPTH

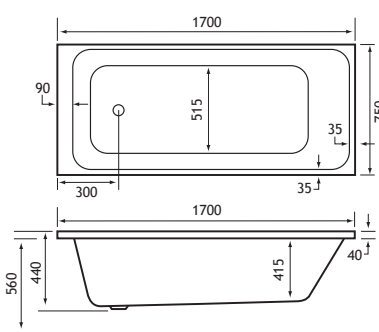


ULTRA STRONG

1700 x 750 SE

1700 x 750 x 440mm

270 Litres



DESCRIPTION	CODE	£ EX VAT	£ INC VAT
1700 x 750 Malin - 5mm	42.0062	373.00	447.60
1700 x 750 Malin - Beauforté	42.1062	652.00	782.40
PANELS			
1700 x 560 Front Panel	42.5013	114.00	136.80
750x560 End Panel	42.5023	69.00	82.80
1700 x 560 Front Panel - Beauforté	42.6013	192.00	230.40
750 x 560 End Panel - Beauforté	42.6023	114.00	136.80
1700 Adjustable Front Panel - Beauforté	42.6033	277.00	332.40
1810 x 810 L Shape Flat Panel - Beauforté	42.6035	367.00	440.40



SHOWER



HEAD REST



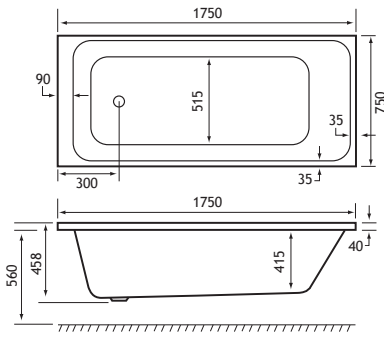
440 DEPTH



ULTRA STRONG

Malin SINGLE ENDED

NEW 1750 x 750 SE



1750 x 750 x 440mm

274 Litres

DESCRIPTION	CODE	£ EX VAT	£ INC VAT
1750 x 750 Malin - 5mm	42.0066	487.00	584.40
1750 x 750 Malin - Beauforté	42.1066	817.00	854.40
PANELS			
1750 x 560 Front Panel	42.5018	128.00	153.61
750x560 End Panel	42.5023	69.00	82.80
1750 x 560 Front Panel - Beauforté	42.6018	200.00	240.00
750 x 560 End Panel - Beauforté	42.6023	114.00	136.80
1700 Adjustable Front Panel - Beauforté	42.6033	277.00	332.40
1810 x 810 L Shape Flat Panel - Beauforté	42.6035	367.00	440.40



SHOWER



HEAD REST

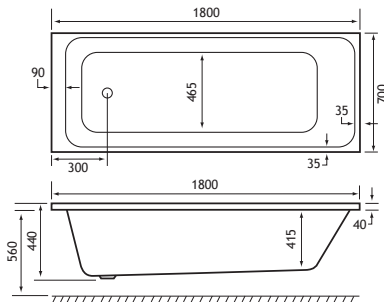


440 DEPTH



ULTRA STRONG

1800 x 700 SE



1800 x 700 x 440mm

267 Litres

DESCRIPTION	CODE	£ EX VAT	£ INC VAT
1800 x 700 Malin - 5mm	42.0061	415.00	498.00
1800 x 700 Malin - Beauforté	42.1061	712.00	854.40
PANELS			
1800 x 560 Front Panel	42.5012	127.00	152.40
700 x 560 End Panel	42.5024	69.00	82.80
1800 x 560 Front Panel - Beauforté	42.6012	203.00	243.60
700 x 560 End Panel - Beauforté	42.6024	114.00	136.80
1800 Adjustable Front Panel - Beauforté	42.6032	288.00	345.60
1810 x 810 L Shape Flat Panel - Beauforté	42.6035	367.00	440.40



SHOWER



HEAD REST



440 DEPTH



ULTRA STRONG

Abberton Tap Range **NEW**

Abberton Bath Filler

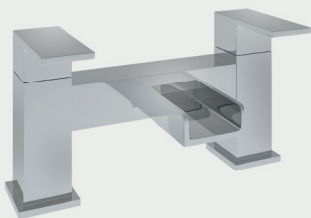
Description	Code	£ Ex VAT	£ Inc VAT
Abberton Bath Filler - Chrome	79.1041	138.00	165.60
Abberton Bath Filler - Smooth Black	79.1042	146.00	175.20
Abberton Bath Filler - Brushed Brass	79.1043	155.00	186.00

Abberton Bath Mixer + Kit: Handset, Bracket & Hose

Description	Code	£ Ex VAT	£ Inc VAT
Abberton BSM + Kit - Chrome	79.1037	162.00	194.40
Abberton BSM + Kit - Smooth Black	79.1038	176.00	211.20
Abberton BSM + Kit - Brushed Brass	79.1039	189.00	226.80

MP - 0.5 bar minimum

MP



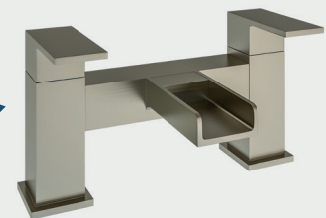
79.1041

MP



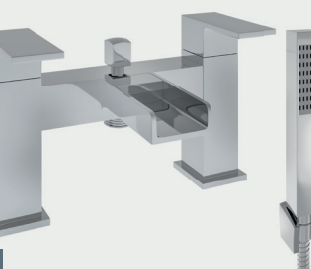
79.1042

MP



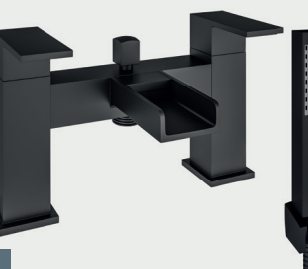
79.1043

MP



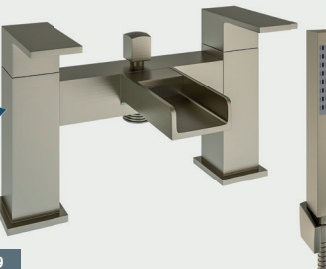
79.1037

MP



79.1038

MP



79.1039

SINGLE ENDED Malin



Complete the LOOK

Description	Colour	Code	£ Ex VAT	£ Inc VAT
Helston Bath Filler	Chrome	93.0011	176.00	211.20
Modern Square Thermostatic Shower Pole	Chrome	60.1001	224.00	268.80
Volente 6mm Hinge Bath Screen	Chrome	58.702	216.00	259.20

Malin SE shown. Adjustable bath panels on page 98-99

Malin DOUBLE ENDED

Malin is the sea region off the rugged Irish north coast, renowned for its strong sea winds, majestic landscapes, and high tides. The strength and clarity of the Malin bath is suggestive of this region, with its minimalist, clean lines, and gently curved back rest support. Featuring narrow ledges on 3 sides, the ultra-modern design of the Malin offers a larger internal bathing space than a deeper-sided bath of the same dimensions.

The Malin is available in both single-ended and double-ended bath variants and in a wide choice of sizes. The range is offered in both 5mm acrylic and ultra-strong Beauforté, which significantly extends the life of the bath.



PRODUCT FEATURES

- 12 DE models
- Each available in: 5mm Acrylic & Ultra Strong Beauforté
- Supplied without pre-drilled tap holes or waste fittings
- 440mm depth on all Portland SE models
- Modern thin rim for maximised bathing space



Malin DE shown with Helston bath filler 93.0011

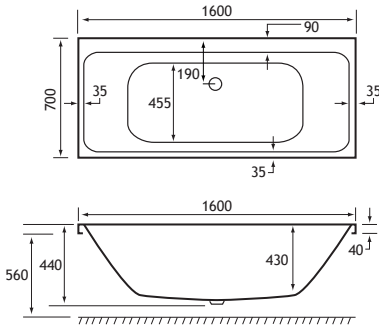
Adjustable bath panels on page 98 - 99

DOUBLE ENDED Malin

1600 x 700 DE

1600 x 700 x 440mm

210 Litres



DESCRIPTION	CODE	£ EX VAT	£ INC VAT
1600 x 700 Malin - 5mm	42.0075	322.00	386.40
1600 x 700 Malin - Beauforté	42.1075	577.00	692.40
PANELS			
1600 x 560 Front Panel	42.5016	114.00	136.80
700 x 560 End Panel	42.5024	69.00	82.80
1600 x 560 Front Panel - Beauforté	42.6016	192.00	230.40
700 x 560 End Panel - Beauforté	42.6024	114.00	136.80
1810 x 810 L Shape Flat Panel - Beauforté	42.6035	367.00	440.40

HEAD REST

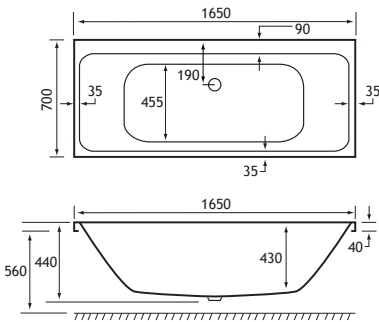
440 DEPTH

ULTRA STRONG

1650 x 700 DE

1650 x 700 x 440mm

219 Litres



DESCRIPTION	CODE	£ EX VAT	£ INC VAT
1650 x 700 Malin - 5mm	42.0074	322.00	386.40
1650 x 700 Malin - Beauforté	42.1074	577.00	692.40
PANELS			
1650 x 560 Front Panel	42.5015	114.00	136.80
700 x 560 End Panel	42.5024	69.00	82.80
1650 x 560 Front Panel - Beauforté	42.6015	192.00	230.40
700 x 560 End Panel - Beauforté	42.6024	114.00	136.80
1810 x 810 L Shape Flat Panel - Beauforté	42.6035	367.00	440.40

HEAD REST

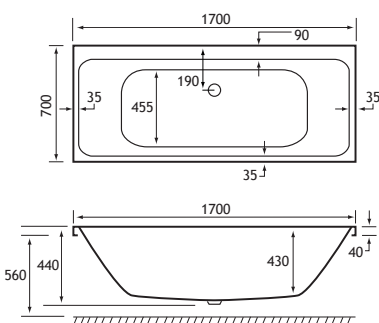
440 DEPTH

ULTRA STRONG

1700 x 700 DE

1700 x 700 x 440mm

227 Litres



DESCRIPTION	CODE	£ EX VAT	£ INC VAT
1700 x 700 Malin - 5mm	42.0073	322.00	386.40
1700 x 700 Malin - Beauforté	42.1073	577.00	692.40
PANELS			
1700 x 560 Front Panel	42.5013	114.00	136.80
700 x 560 End Panel	42.5024	69.00	82.80
1700 x 560 Front Panel - Beauforté	42.6013	192.00	230.40
700 x 560 End Panel - Beauforté	42.6024	114.00	136.80
1700 Adjustable Front Panel - Beauforté	42.6033	277.00	332.40
1810 x 810 L Shape Flat Panel - Beauforté	42.6035	367.00	440.40

HEAD REST

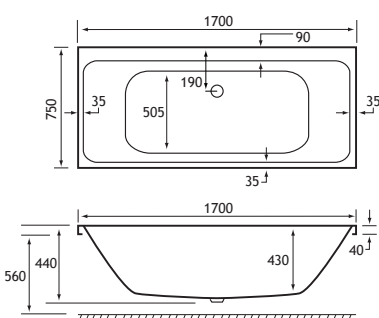
440 DEPTH

ULTRA STRONG

1700 x 750 DE

1700 x 750 x 440mm

248 Litres



DESCRIPTION	CODE	£ EX VAT	£ INC VAT
1700 x 750 Malin - 5mm	42.0072	390.00	468.00
1700 x 750 Malin - Beauforté	42.1072	675.00	810.00
PANELS			
1700 x 560 Front Panel	42.5013	114.00	136.80
750x560 End Panel	42.5023	69.00	82.80
1700 x 560 Front Panel - Beauforté	42.6013	192.00	230.40
750 x 560 End Panel - Beauforté	42.6023	114.00	136.80
1700 Adjustable Front Panel - Beauforté	42.6033	277.00	332.40
1810 x 810 L Shape Flat Panel - Beauforté	42.6035	367.00	440.40

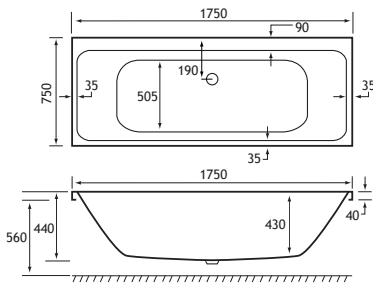
HEAD REST

440 DEPTH

ULTRA STRONG

Malin DOUBLE ENDED

NEW **1750 x 750 DE**



1750 x 750 x 440mm

254 Litres

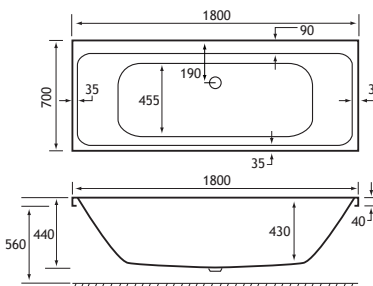
DESCRIPTION	CODE	£ EX VAT	£ INC VAT
1750 x 750 Malin - 5mm	42.0076	487.00	584.40
1750 x 750 Malin - Beauforté	42.1076	817.00	980.40
PANELS			
1750 x 560 Front Panel	42.5018	128.00	153.61
750x560 End Panel	42.5023	69.00	82.80
1750 x 560 Front Panel - Beauforté	42.6018	200.00	240.00
750 x 560 End Panel - Beauforté	42.6023	114.00	136.80
1700 Adjustable Front Panel - Beauforté	42.6033	277.00	332.40
1810 x 810 L Shape Flat Panel - Beauforté	42.6035	367.00	440.40

HEAD REST

440 DEPTH

ULTRA STRONG

1800 x 700 DE



1800 x 700 x 440mm

238 Litres

DESCRIPTION	CODE	£ EX VAT	£ INC VAT
1800 x 700 Malin - 5mm	42.0071	431.00	517.20
1800 x 700 Malin - Beauforté	42.1071	735.00	882.00
PANELS			
1800 x 560 Front Panel	42.5012	127.00	152.40
700 x 560 End Panel	42.5024	69.00	82.80
1800 x 560 Front Panel - Beauforté	42.6012	203.00	243.60
700 x 560 End Panel - Beauforté	42.6024	114.00	136.80
1800 Adjustable Front Panel - Beauforté	42.6032	288.00	345.60
1810 x 810 L Shape Flat Panel - Beauforté	42.6035	367.00	440.40

HEAD REST

440 DEPTH

ULTRA STRONG

Complete the LOOK

The ultra modern design of the Malin Double Ended Bath allows you to match similar thin edged sleek bathroom products really easily. Create that fresh and contemporary bathroom feel by completing the look.



Gravina Single Drawer Wall Hung Unit

Description	Colour	Code	£ Ex VAT	£ Inc VAT
50cm Single Drawer Wall Hung Unit	White Gloss	36.0057	265.00	318.00
50cm Single Drawer Wall Hung Unit	High Gloss Grey	36.0058	265.00	318.00
60cm Single Drawer Wall Hung Unit	White Gloss	36.0060	291.00	349.20
60cm Single Drawer Wall Hung Unit	High Gloss Grey	36.0061	291.00	349.20



We suggest the **Gravina** wall hung basin unit. Available in High Gloss White & High Gloss Grey, both with a soft close drawer.

Cavone 50cm Cloakroom Basin

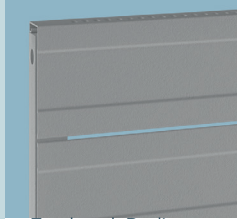
Description	Colour	Code	£ Ex VAT	£ Inc VAT
50cm Gravina Wall Hung Basin	White	36.0059	144.00	172.80
60cm Gravina Wall Hung Basin	White	36.0062	162.00	194.40

DOUBLE ENDED Malin

Connect Your Colours at Eastbrook



Eastbrook Taps



Eastbrook Radiators



Eastbrook Units



Malin DE shown with Helston bath filler 93.0011

Adjustable bath panels on page 98 - 99

Shannon L-SHAPE

The robust but comfortable single ended Shannon L-Shape Shower Bath is reminiscent of the Malin region, with its minimalist, clean lines along with a wider space at one end of the bath for showering.

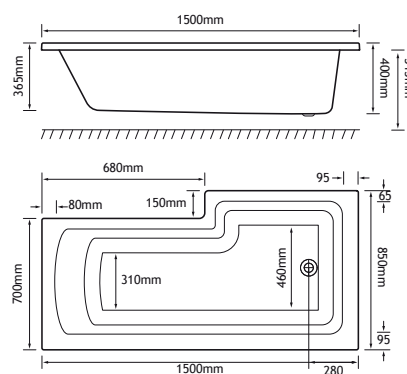
This space efficient bath provides a deceptively large bathing area and is 400mm at its deepest point, ensuring a luxurious, comfortable soak.

The Shannon L-Shape Shower Bath is available in left or right-handed bath variants, and in a choice of 1500 x 850mm and 1700 x 850mm. The range is offered in both 4mm acrylic and ultra-strong Beauforté, which significantly extends the life of the bath.



PRODUCT FEATURES

- 8 models
- Each available in:
4mm Acrylic & Ultra Strong Beauforté
- Supplied without pre-drilled tap holes or waste fittings
- 400mm depth on all Shannon SE models
- Wider space at one end for showering



1500 x 850 LH

NEW BEAUFORTÉ PANELS

1500 x 850/700 x 400mm

194 Litres

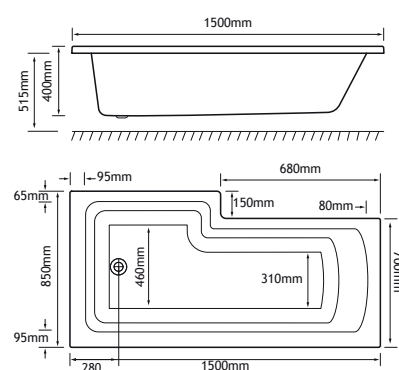
DESCRIPTION	CODE	£ EX VAT	£ INC VAT
1500 x 850 L-Shape LH - 4mm	42.0103	393.00	471.60
1500 x 850 L-Shape LH - Beauforté	42.1103	692.00	830.40

PANELS

1500 x 515 L-Shape Front Panel	42.5032	114.00	136.80
1500 x 515 L-Shape Front Panel - Beauforté	42.6045	350.00	420.00
L-Shape Universal End Panel	42.5033	64.00	76.80
L-Shape Universal End Panel - Beauforté	42.6046	123.00	147.61

BATH SCREENS

Beaufort Screen 1400mm	58.4000	335.00	402.00
Beaufort Screen 1400mm with Towel Rail	69.0141	450.00	540.00



1500 x 850 RH

NEW BEAUFORTÉ PANELS

1500 x 850/700 x 400mm

194 Litres

DESCRIPTION	CODE	£ EX VAT	£ INC VAT
1500 x 850 L-Shape RH - 4mm	42.0104	393.00	471.60
1500 x 850 L-Shape RH - Beauforté	42.1104	692.00	830.40

PANELS

1500 x 515 L-Shape Front Panel	42.5032	114.00	136.80
1500 x 515 L-Shape Front Panel - Beauforté	42.6045	350.00	420.00
L-Shape Universal End Panel	42.5033	64.00	76.80
L-Shape Universal End Panel - Beauforté	42.6046	123.00	147.61

BATH SCREENS

Beaufort Screen 1400mm	58.4000	335.00	402.00
Beaufort Screen 1400mm with Towel Rail	69.0141	450.00	540.00



L-SHAPE Shannon

Bath Screens

Page 100 - 107

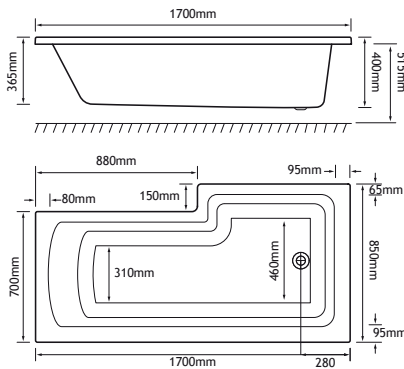


Shannon L-Shape LH shown.

Shannon L-SHAPE

1700 x 850 LH

NEW BEAUFORTÉ PANELS



1700 x 850/700 x 400mm

221 Litres

DESCRIPTION	CODE	£ EX VAT	£ INC VAT
1700 x 850 L-Shape LH - 4mm	42.0101	393.00	471.60
1700 x 850 L-Shape LH - Beauforté	42.1101	692.00	830.40

PANELS

1700 x 515 L-Shape Front Panel	42.5031	114.00	136.80
1700 x 515 L-Shape Front Panel - Beauforté	42.6044	350.00	420.00
L-Shape Universal End Panel	42.5033	64.00	76.80
L-Shape Universal End Panel - Beauforté	42.6046	123.00	147.60

BATH SCREENS

Beaufort Screen 1400mm	58.4000	335.00	402.00
Beaufort Screen 1400mm with Towel Rail	69.0141	450.00	540.00



SHOWER



HEAD REST



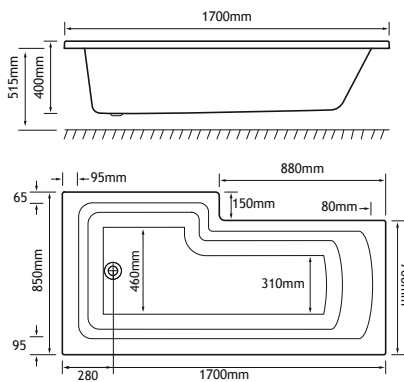
400 DEPTH



ULTRA STRONG

1700 x 850 RH

NEW BEAUFORTÉ PANELS



1700 x 850/700 x 400mm

221 Litres

DESCRIPTION	CODE	£ EX VAT	£ INC VAT
1700 x 850 L-Shape RH - 4mm	42.0102	393.00	471.60
1700 x 850 L-Shape RH - Beauforté	42.1102	692.00	830.40

PANELS

1700 x 515 L-Shape Front Panel	42.5031	114.00	136.80
1700 x 515 L-Shape Front Panel - Beauforté	42.6044	350.00	420.00
L-Shape Universal End Panel	42.5033	64.00	76.80
L-Shape Universal End Panel - Beauforté	42.6046	123.00	147.60

BATH SCREENS

Beaufort Screen 1400mm	58.4000	335.00	402.00
Beaufort Screen 1400mm with Towel Rail	69.0141	450.00	540.00



SHOWER



HEAD REST



400 DEPTH



ULTRA STRONG

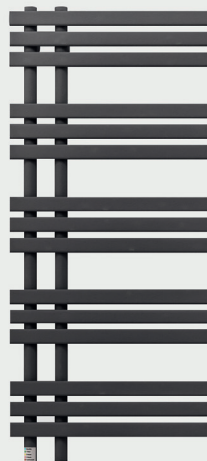


Hardwick Corner Cabinet 90cm

Description	Colour	Code	£ Ex VAT	£ Inc VAT
Hardwick 90cm Corner Cabinet LH	Matt White	36.0015	825.00	990.00

Hardwick Quartz Basins

Description	Colour	Code	£ Ex VAT	£ Inc VAT
Hardwick Quartz Corner 90cm Basin LH	White	36.4005	280.00	336.00



Loddon Dry Element Rail - Matt Black

Description	Code	£ Ex VAT	£ Inc VAT
Loddon Dry Element Towel Rail 1200x600mm	47.0038	522.00	626.40

Complete the LOOK



Thermostatic Square Shower Pole

Description	Code	£ Ex VAT	£ Inc VAT
Thermostatic Square Shower Pole Matt Black	60.1004	276.00	331.20

L-SHAPE Shannon

Bath Screens
Page 100 - 107



Shannon P-SHAPE

Bath Screens
Page 100 - 107



Shannon P-Shape Left Hand (LH) shown.

P-SHAPE Shannon

The robust but comfortable single ended Shannon P-Shape Shower Bath is reminiscent of the Biscay region, it has a wider curved space at one end of the bath for showering.

This space efficient bath provides a deceptively large bathing area and is 400mm at its deepest point, ensuring a luxurious, comfortable soak.

The Shannon P-Shape Shower Bath is available in left or right-handed bath variants, and in a choice of 1500 x 850mm and 1700 x 850mm. The range is offered in both 4mm acrylic and ultra-strong Beauforté, which significantly extends the life of the bath.



PRODUCT FEATURES

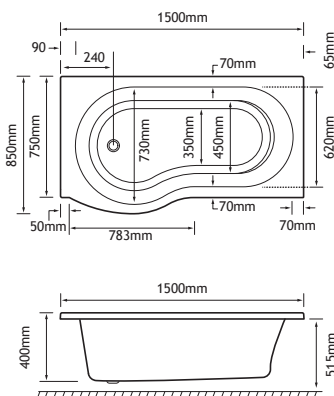
- 8 models
- Each available in: 4mm Acrylic & Ultra Strong Beauforté
- Supplied without pre-drilled tap holes or waste fittings
- 400mm depth on all Shannon SE models
- Wider curved space at one end for showering

1500 x 850 LH

NEW BEAUFORTÉ PANELS

1500 x 850/750 x 400mm

179 Litres



DESCRIPTION	CODE	£ EX VAT	£ INC VAT
1500 x 850 P-Shape LH - 4mm	42.0107	393.00	471.60
1500 x 850 P-Shape LH - Beauforté	42.1107	692.00	830.40
PANELS			
1500 x 515 P-Shape Front Panel	42.5042	114.00	136.80
1500 x 515 P-Shape Front Panel - Beauforté	42.6042	343.00	411.64
P-Shape Universal End Panel	42.5043	64.00	76.80
P-Shape Universal End Panel - Beauforté	42.6043	123.00	147.61
BATH SCREENS			
C Shape Screen 6mm easy clean	69.0140	229.00	274.80
C Shape Screen 6mm easy clean with towel rail	69.0143	413.00	495.60



SHOWER



HEAD REST



400 DEPTH



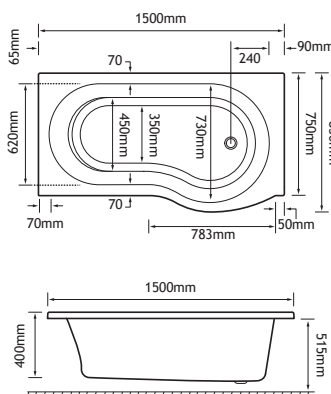
ULTRA STRONG

1500 x 850 RH

NEW BEAUFORTÉ PANELS

1500 x 850/750 x 400mm

179 Litres



DESCRIPTION	CODE	£ EX VAT	£ INC VAT
1500 x 850 P-Shape RH - 4mm	42.0108	393.00	471.60
1500 x 850 P-Shape RH - Beauforté	42.1108	692.00	830.40
PANELS			
1500 x 515 P-Shape Front Panel	42.5042	114.00	136.80
1500 x 515 P-Shape Front Panel - Beauforté	42.6042	343.00	411.64
P-Shape Universal End Panel	42.5043	64.00	76.80
P-Shape Universal End Panel - Beauforté	42.6043	123.00	147.61
BATH SCREENS			
C Shape Screen 6mm easy clean	69.0140	229.00	274.80
C Shape Screen 6mm easy clean with towel rail	69.0143	413.00	495.60



SHOWER



HEAD REST



400 DEPTH

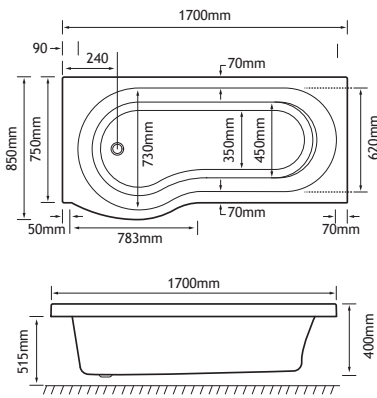


ULTRA STRONG

Shannon P-SHAPE

1700 x 850 LH

NEW BEAUFORTÉ PANELS



1700 x 850/750 x 400mm

220 Litres

DESCRIPTION	CODE	£ EX VAT	£ INC VAT
1700 x 850 P-Shape LH - 4mm	42.0105	393.00	471.60
1700 x 850 P-Shape LH - Beauforté	42.1105	692.00	830.40
PANELS			
1700 x 515 P-Shape Front Panel	42.5041	114.00	136.80
1700 x 515 P-Shape Front Panel - Beauforté	42.6041	343.00	411.60
P-Shape Universal End Panel	42.5043	64.00	76.80
P-Shape Universal End Panel - Beauforté	42.6043	123.00	147.60
BATH SCREENS			
C Shape Screen 6mm easy clean	69.0140	229.00	274.80
C Shape Screen 6mm easy clean with towel rail	69.0143	413.00	495.60



SHOWER



HEAD REST



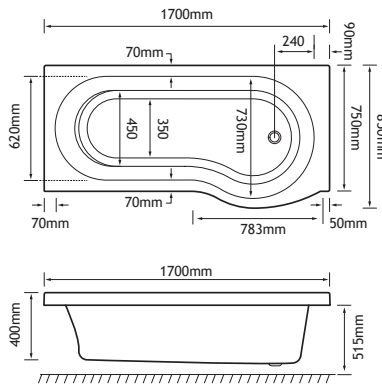
400 DEPTH



ULTRA STRONG

1700 x 850 RH

NEW BEAUFORTÉ PANELS



1700 x 850/750 x 400mm

220 Litres

DESCRIPTION	CODE	£ EX VAT	£ INC VAT
1700 x 850 P-Shape RH - 4mm	42.0106	393.00	471.60
1700 x 850 P-Shape RH - Beauforté	42.1106	692.00	830.40
PANELS			
1700 x 515 P-Shape Front Panel	42.5041	114.00	136.80
1700 x 515 P-Shape Front Panel - Beauforté	42.6041	343.00	411.60
P-Shape Universal End Panel	42.5043	64.00	76.80
P-Shape Universal End Panel - Beauforté	42.6043	123.00	147.60
BATH SCREENS			
C Shape Screen 6mm easy clean	69.0140	229.00	274.80
C Shape Screen 6mm easy clean with towel rail	69.0143	413.00	495.60



SHOWER



HEAD REST

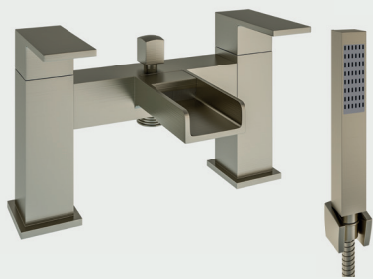


400 DEPTH



ULTRA STRONG

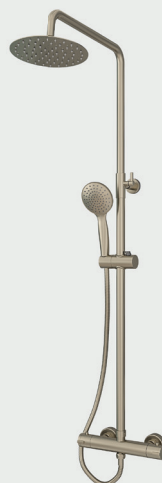
Complete the LOOK



MP

P Shape Bath Screen

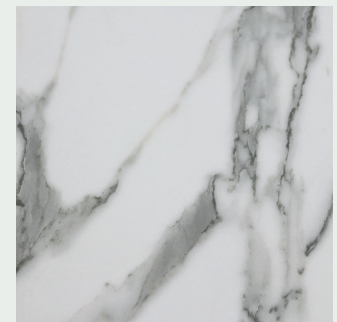
Description	Colour	Code	£ Ex VAT	£ Inc VAT
Abberton BSM + Kit - Brushed Brass	79.1039	189.00	226.80	226.80
Pressure MP (0.5 bar minimum)				



MP

Modern Round Thermostatic Shower

Description	Code	£ Ex VAT	£ Inc VAT
Round Thermostatic Shower Pole Brushed Brass	60.1005	256.00	307.20



Statuario Marble Velvet

Statuario Marble Velvet Hydropanel

Description	Code	£ Ex VAT	£ Inc VAT
Straight Edge Statuario Marble Velvet Hydropanel	3.151	275.00	330.00

P-SHAPE Shannon

Bath Screens
Page 100 - 107



Designer Bath Screens

L SHAPE & P SHAPE SCREENS



49.2001

P SHAPE SCREENS - LEFT HAND

Description	Colour	Code	£ Ex VAT	£ Inc VAT
P Shape Bath Screen 6mm - Left Hand (LH)	Brushed Brass	49.2005	233.00	279.60
P Shape Bath Screen 6mm - Left Hand (LH)	Matt Black	49.2003	219.00	262.80
P Shape Bath Screen 6mm - Left Hand (LH)	Chrome	49.2001	208.00	249.60

FEATURES

- 6mm P Shape clear glass
- Concealed profile
- Zinc-alloy pivot hinges



49.2006

P SHAPE SCREENS - RIGHT HAND

Description	Colour	Code	£ Ex VAT	£ Inc VAT
P Shape Bath Screen 6mm - Right Hand (RH)	Brushed Brass	49.2006	233.00	279.60
P Shape Bath Screen 6mm - Right Hand (RH)	Matt Black	49.2004	219.00	262.80
P Shape Bath Screen 6mm - Right Hand (RH)	Chrome	49.2002	208.00	249.60

FEATURES

- 6mm P Shape clear glass
- Concealed profile
- Zinc-alloy pivot hinges



49.2012

L SHAPE SCREENS - LEFT HAND

Description	Colour	Code	£ Ex VAT	£ Inc VAT
L Shape Bath Screen 6mm - Left Hand (LH)	Brushed Brass	49.2012	254.00	304.80
L Shape Bath Screen 6mm - Left Hand (LH)	Matt Black	49.2009	234.00	280.80
L Shape Bath Screen 6mm - Left Hand (LH)	Chrome	49.2007	220.00	264.00

FEATURES

- 6mm L Shape clear glass
- Concealed profile
- Zinc-alloy pivot hinges



49.2011

L SHAPE SCREENS - RIGHT HAND

Description	Colour	Code	£ Ex VAT	£ Inc VAT
L Shape Bath Screen 6mm - Right Hand (RH)	Brushed Brass	49.2013	254.00	304.80
L Shape Bath Screen 6mm - Right Hand (RH)	Matt Black	49.2011	234.00	280.80
L Shape Bath Screen 6mm - Right Hand (RH)	Chrome	49.2008	220.00	264.00

FEATURES

- 6mm L Shape clear glass
- Concealed profile
- Zinc-alloy pivot hinges

Beaufort & Vantage Bath Screens

BEAUFORT SCREENS



69.4001L (Left Hand Shown)

Description	Dimension width x height	Code	£ Ex VAT	£ Inc VAT
Beaufort Screen Type 1 Pivot Door LH	(775+850) x 1535	69.4001L	302.00	362.40
Beaufort Screen Type 1 Pivot Door RH	(775+850) x 1535	69.4001R	302.00	362.40

FEATURES

- 6mm tempered glass
- Easy clean glass
- Left Hand or right hand options
- Easy open pivot door, with handle.



69.4002L (Left Hand Shown)

Description	Dimension width x height	Code	£ Ex VAT	£ Inc VAT
Beaufort Screen Type 2 Folding Door LH	(785+465) x 1535	69.4002L	247.00	296.40
Beaufort Screen Type 2 Folding Door RH	(785+465) x 1535	69.4002R	247.00	296.40

FEATURES

- 6mm tempered glass
- Easy clean glass
- Left hand or right hand options
- Easy open folding door.



69.4003

Description	Dimension width x height	Code	£ Ex VAT	£ Inc VAT
Beaufort Screen Type 3 Sliding Door	(985+850) x 1535	69.4003	315.00	378.00

FEATURES

- 6mm tempered glass
- Easy clean glass
- Works on both LH & RH P-Shape baths
- Easy slide action screen

VANTAGE FRAMED HINGE SCREEN



49.1101

Description	Dimension width x height	Code	£ Ex VAT	£ Inc VAT
6mm Matt Black Framed Hinge Bath Screen	800 x 1400	49.1101	205.00	246.00

FEATURES

- 6mm tempered glass
- Easy clean glass

Cavone Cloakroom Unit Range

CAVONE CLOAKROOM DOOR UNITS

NEW

Matt Grey

Colour No.1

Gloss White

Colour No.2



36.0081 (50cm Unit)

Matt Grey colour shown in images are subject to the limitations of the printing process and may appear different.

Our newly designed Cavone Cloakroom bathroom furniture features a luxurious curved basin that flows perfectly with the curved lines of the doors of the vanity unit.

FEATURES

- Soft close system on door
- Curved door design
- Interchangeable chrome or black handles
- Built in internal overflow as standard

FEATURES - BASIN TOPS

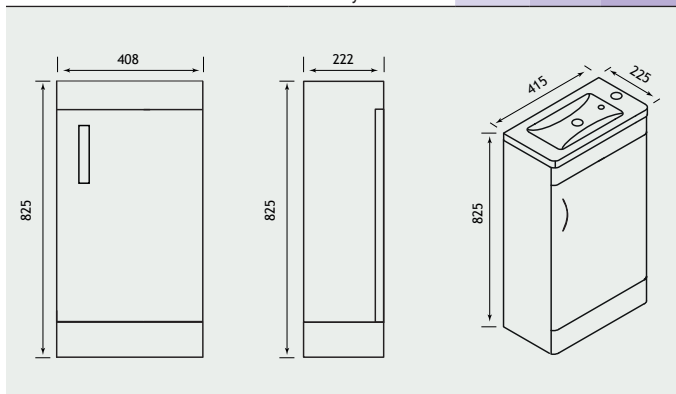
- Polymarble basin predrilled with 1 tap hole
- A modern seamless one-piece basin
- Curved basin design

Cavone Cloakroom Unit Range

40 CM UNIT



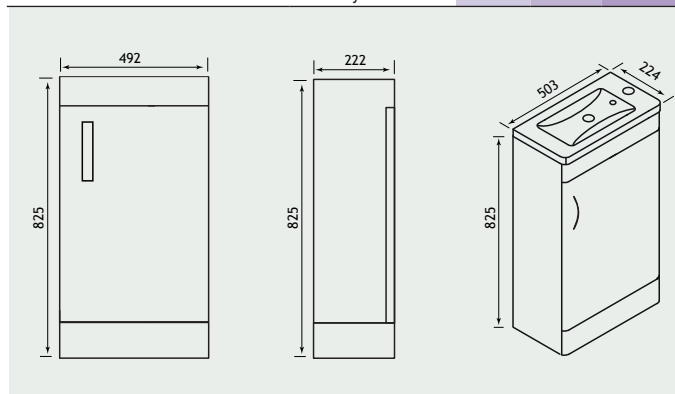
Cavone 40cm Cloakroom Door Unit				
Description	Colour	Code	£ Ex VAT	£ Inc VAT
40cm Cloakroom Door Unit	White Gloss	36.0076	272.00	326.40
40cm Cloakroom Door Unit	Matt Grey	36.0074	272.00	326.43



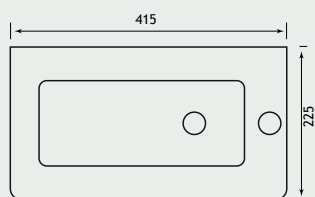
CAVONE CLOAKROOM DOOR UNITS 50 CM UNIT



Cavone 50cm Cloakroom Door Unit				
Description	Colour	Code	£ Ex VAT	£ Inc VAT
50cm Cloakroom Door Unit	White Gloss	36.0081	305.00	366.00
50cm Cloakroom Door Unit	Matt Grey	36.0079	305.00	366.00

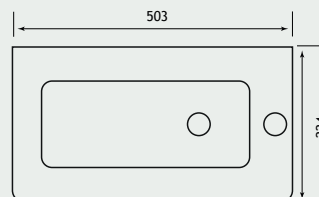


40 CM UNIT BASINS



Cavone 40cm Cloakroom Basins				
Description	Colour	Code	£ Ex VAT	£ Inc VAT
40cm Cloakroom Cavone Basin	White	36.0073	95.00	114.00

50 CM UNIT BASINS



Cavone 50cm Cloakroom Basins				
Description	Colour	Code	£ Ex VAT	£ Inc VAT
50cm Cloakroom Cavone Basin	White	36.0078	101.00	121.20

EXTRAS



36.0071



52.312

Cloakroom Cavone Extras

Description	Colour	Code	£ Ex VAT	£ Inc VAT
Cavone Handle (Each)	Smooth Black	36.0071	6.00	7.20
Vercelli Glass Shelf (600x119)	Chrome	52.312	102.00	122.40

EXTRAS



93.0019



93.0010

Cloakroom Cavone Extras

Description	Colour	Code	£ Ex VAT	£ Inc VAT
Helston Basin Mono (inc waste)	Smooth Black	93.0019	126.00	151.20
Helston Basin Mono (inc waste)	Chrome	93.0010	115.00	138.00

Cavone Cloakroom Unit Range

CAVONE CLOAKROOM WALL HUNG DOOR UNITS



NEW

Matt Grey
Colour No.1

Gloss White
Colour No.2

36.0080 (50cm Unit)

Matt Grey colour shown in images are subject to the limitations of the printing process and may appear different.

Our newly designed Cavone Cloakroom bathroom furniture features a luxurious curved basin that flows perfectly with the curved lines of the doors of the vanity unit.

FEATURES

- Soft close system on door
- Curved door design
- Interchangeable chrome or black handles
- Built in internal overflow as standard

FEATURES - BASIN TOPS

- Polymarble basin predrilled with 1 tap hole
- A modern seamless one-piece basin
- Curved basin design

Cavone Cloakroom Unit Range

CAVONE CLOAKROOM WALL HUNG DOOR UNITS

40 CM UNIT

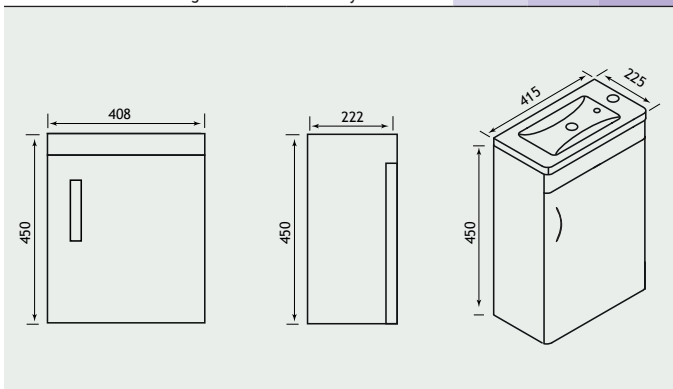


50 CM UNIT



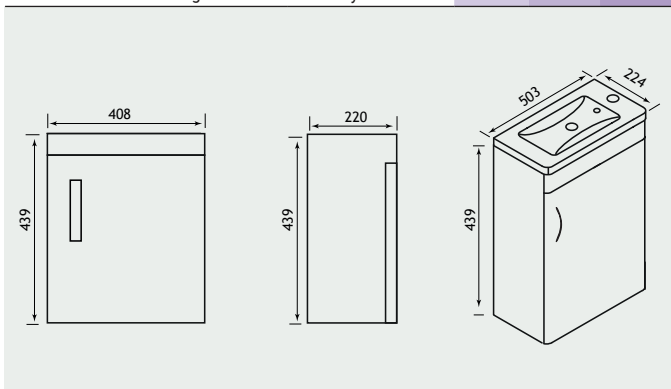
Cavone 40cm Cloakroom Wall Hung Door Unit

Description	Colour	Code	£ Ex VAT	£ Inc VAT
40cm Cloakroom Wall Hung Unit	White Gloss	36.0077	197.00	236.40
40cm Cloakroom Wall Hung Unit	Matt Grey	36.0075	197.00	236.40

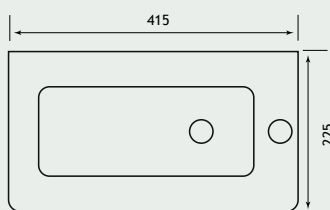


Cavone 50cm Cloakroom Wall Hung Door Unit

Description	Colour	Code	£ Ex VAT	£ Inc VAT
50cm Cloakroom Wall Hung Unit	White Gloss	36.0082	226.00	271.20
50cm Cloakroom Wall Hung Unit	Matt Grey	36.0080	227.00	272.40



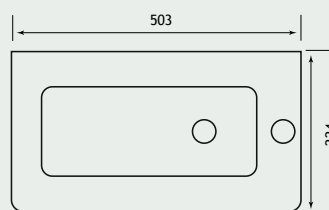
40 CM UNIT BASINS



Cavone 40cm Cloakroom Basins

Description	Colour	Code	£ Ex VAT	£ Inc VAT
40cm Cloakroom Cavone Basin	White	36.0073	95.00	114.00

50 CM UNIT BASINS



Cavone 50cm Cloakroom Basins

Description	Colour	Code	£ Ex VAT	£ Inc VAT
50cm Cloakroom Cavone Basin	White	36.0078	101.00	121.20

EXTRAS



36.0071



52.302

Cloakroom Cavone Extras

Description	Colour	Code	£ Ex VAT	£ Inc VAT
Cavone Handle (Each)	Smooth Black	36.0071	6.00	7.20
Vercelli Toilet Roll Holder Shelf	Chrome/Leather	52.302	104.00	124.80

EXTRAS



93.0019



93.0010

Cloakroom Cavone Extras

Description	Colour	Code	£ Ex VAT	£ Inc VAT
Helston Basin Mono (inc waste)	Smooth Black	93.0019	126.00	151.20
Helston Basin Mono (inc waste)	Chrome	93.0010	115.00	138.00

Cavone WC Unit

CAVONE WC UNITS

NEW

Matt Grey colour shown in images are subject to the limitations of the printing process and may appear different.



36.0092 Cavone WC Unit 60cm (Left) Toilet Pan for illustration purposes only

36.0050 Cavone Drawer Cabinet 60cm (Right)

Our newly designed Cavone WC Unit features a the same luxurious curved corners, same colours and modern feel as its matching Cavone Vanity Units.

FEATURES

- Delivered to you fully assembled.
- High quality Matt Grey & White finishes - exact match to Vanity Units.
- Seamless surface easy to maintain.
- Hidden cistern sold separately.
- Supplied complete with plinth & top.
- Available in 50cm and 60cm widths

Cavone WC Unit

CAVONE WC UNITS

50 CM UNIT



60 CM UNIT

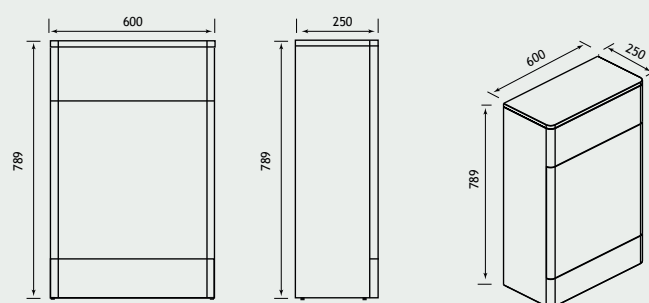
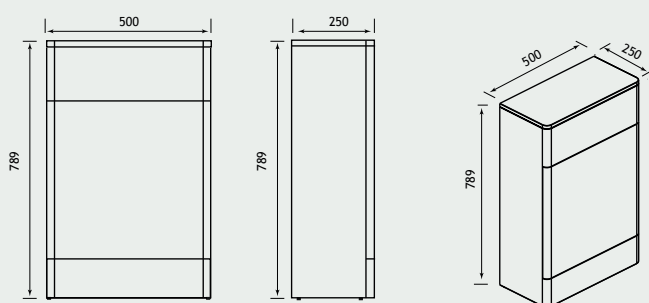


Cavone 50cm WC Units

Description	Colour	Code	£ Ex VAT	£ Inc VAT
50cm Cavone WC Unit	White Gloss	36.0089	271.00	325.20
50cm Cavone WC Unit	Matt Grey	36.0090	271.00	325.20

Cavone 60cm WC Units

Description	Colour	Code	£ Ex VAT	£ Inc VAT
60cm Cavone WC Unit	White Gloss	36.0091	293.00	351.60
60cm Cavone WC Unit	Matt Grey	36.0092	293.00	351.60



36.0089 Cavone WC Unit 50cm (Left) Toilet Pan for illustration purposes only



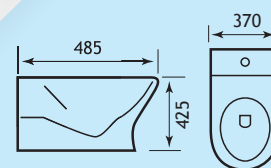
36.0079 Cavone Cloakroom Cabinet 60cm (Right)

COMPLETE THE LOOK



26.0042

26.0041



26.0041

Northall BTW Pan

Description	Code	£ Ex VAT	£ Inc VAT
Northall BTW Rimless Pan	26.0041	273.00	327.60
Northall Soft Close Seat	26.0042	97.00	116.40
Northall/Farringdon Wrap Over Soft Close Seat	26.0056	74.00	88.80

Hardwick Range

HARDWICK TRADITIONAL UNIT

Our newly designed Hardwick bathroom furniture features a luxurious basin design that flows perfectly with the traditional inspired curved lines and door panels of the vanity unit.

FEATURES

- Soft close system on doors
- Traditional design inspired door design
- High quality painted doors
- Internal glass shelf (39cm unit has wooden shelf)

FEATURES - BASIN TOPS

- Polymarble basin predrilled with 1 tap hole
- A modern seamless one-piece basin
- Curved & straight basin designs
- Built in internal overflow as standard



36.4012 (120cm) Unit, with Double Bowl Basin 36.4015

See page 18 for compatible basins >>>

Hardwick Range

50 CM UNIT

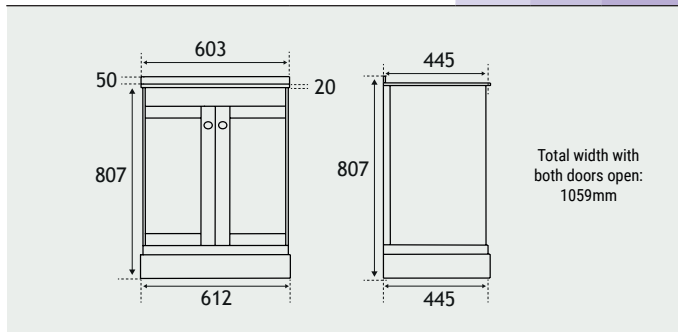
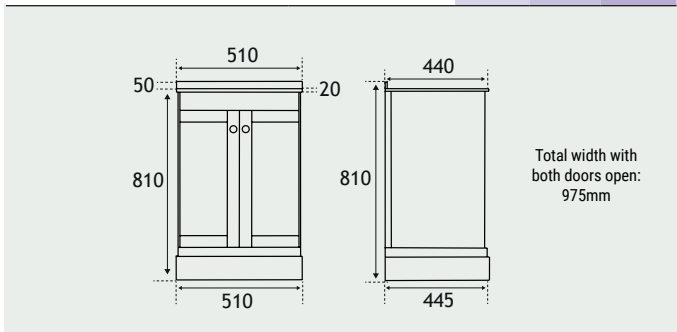


60 CM UNIT

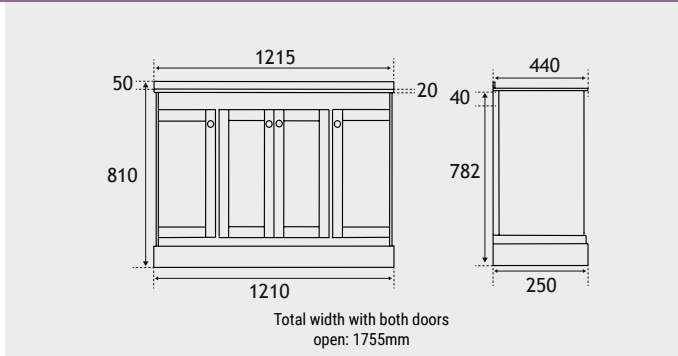


Hardwick 50cm Traditional Unit				
Description	Colour	Code	£ Ex VAT	£ Inc VAT
Hardwick 50cm Unit	Matt White	36.0003	571.00	685.20
Hardwick 50cm Unit	Matt Anthracite	36.0004	571.00	685.20
Hardwick 50cm Unit	Matt Cobalt Blue	36.0063	571.00	685.20

Hardwick 60cm Traditional Unit				
Description	Colour	Code	£ Ex VAT	£ Inc VAT
Hardwick 60cm Unit	Matt White	36.0006	618.00	741.60
Hardwick 60cm Unit	Matt Anthracite	36.0007	618.00	741.60
Hardwick 60cm Unit	Matt Cobalt Blue	36.0064	618.00	741.60



120 CM UNIT

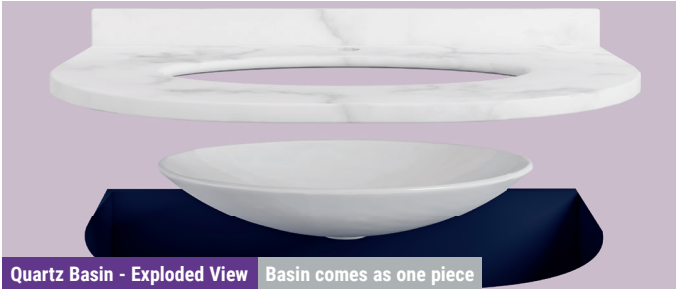


Hardwick Traditional 120cm Unit				
Description	Colour	Code	£ Ex VAT	£ Inc VAT
Hardwick 120cm Unit	Matt White	36.0021	1072.00	1286.40
Hardwick 120cm Unit	Matt Anthracite	36.0022	1072.00	1286.40
Hardwick 120cm Unit	Matt Cobalt Blue	36.0069	1072.00	1286.40
Hardwick 120cm Double Bowl Vanity Unit	Matt White	36.4011	1054.00	1264.80
Hardwick 120cm Double Bowl Vanity Unit	Matt Anthracite	36.4012	1054.00	1264.80
Hardwick 120cm Double Bowl Vanity Unit	Matt Cobalt Blue	36.4013	1054.00	1264.80

See page 18 for compatible basins

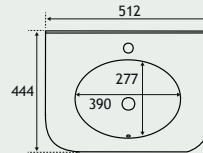
Hardwick Range

HARDWICK BASINS QUARTZ

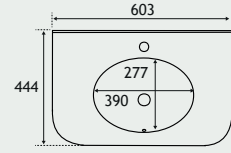


Quartz Basin - Exploded View Basin comes as one piece

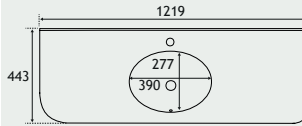
BASINS TECHNICAL



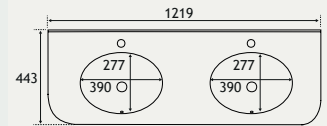
50cm Basin



60cm Basin



120cm Basin



120cm Double Basin

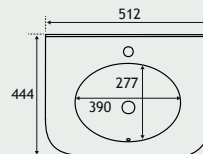
Hardwick Quartz Basins

Description	Colour	Code	£ Ex VAT	£ Inc VAT
Hardwick Traditional 50cm Basin Quartz	White Quartz	36.4001	209.00	250.80
Hardwick Traditional 60cm Basin Quartz	White Quartz	36.4002	220.00	264.00
Hardwick Traditional 120cm Basin Quartz	White Quartz	36.4007	374.00	448.80
Hardwick Traditional 120cm Double Bowl Basin Quartz	White Quartz	36.4015	348.00	417.60

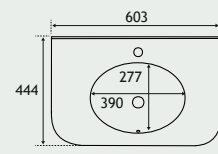
HARDWICK BASINS TRADITIONAL



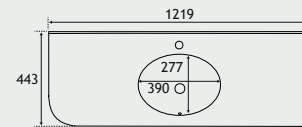
BASINS TECHNICAL



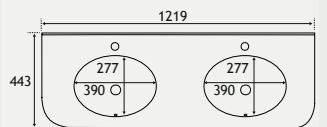
50cm Basin



60cm Basin



120cm Basin



120cm Double Basin

Hardwick Traditional Basins

Description	Colour	Code	£ Ex VAT	£ Inc VAT
Hardwick Traditional 50cm Basin	White (Plain)	36.0005	174.00	208.80
Hardwick Traditional 60cm Basin	White (Plain)	36.0008	191.00	229.20
Hardwick Traditional 120cm Basin	White (Plain)	36.0023	329.00	394.80
Hardwick Traditional 120cm Double Basin	White (Plain)	36.4014	331.00	397.20

Hardwick WC Units

HARDWICK WC UNITS

Our newly designed Hardwick WC Unit features a the same traditional styling, same colours and luxurious feel as its matching Hardwick Vanity Units.

FEATURES

- Delivered to you fully assembled.
- High quality Matt Anthracite, Cobalt Blue & White finishes.
- Seamless surface easy to maintain.
- Hidden cistern sold separately.
- Supplied complete with plinth & top.
- Available in 50cm and 60cm widths



36.0067 Hardwick Corner Unit (Left)

36.0088 Cavone WC Unit 60cm (Right)
Toilet Pan for illustration purposes only

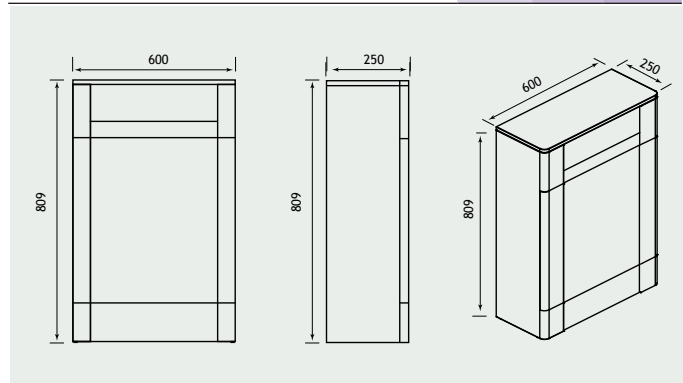
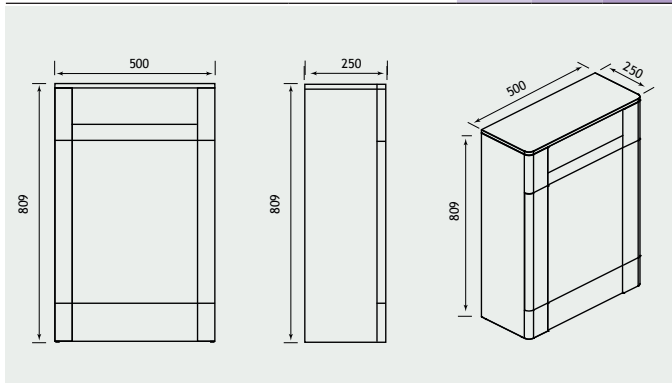
50 CM UNIT

60 CM UNIT



Hardwick WC 50cm Unit				
Description	Colour	Code	£ Ex VAT	£ Inc VAT
50cm Hardwick WC Unit	Matt White	36.0083	271.00	325.20
50cm Hardwick WC Unit	Matt Anthracite	36.0084	271.00	325.20
50cm Hardwick WC Unit	Matt Cobalt Blue	36.0085	271.00	325.20

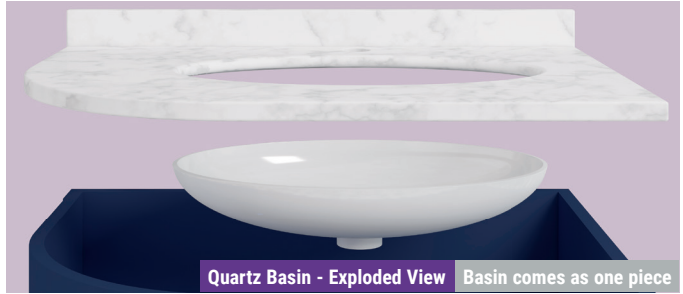
Hardwick WC 60cm Unit				
Description	Colour	Code	£ Ex VAT	£ Inc VAT
60cm Hardwick WC Unit	Matt White	36.0086	293.00	351.60
60cm Hardwick WC Unit	Matt Anthracite	36.0087	293.00	351.60
60cm Hardwick WC Unit	Matt Cobalt Blue	36.0088	293.00	351.60



Hardwick Basins

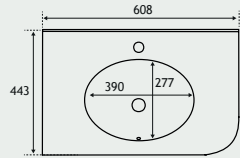
HARDWICK CORNER BASINS QUARTZ

NEW

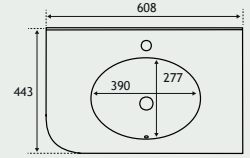


Quartz Basin - Exploded View Basin comes as one piece

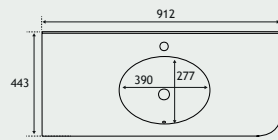
BASINS TECHNICAL



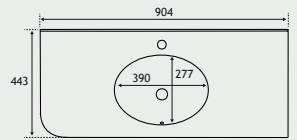
60cm Left Hand Basin



60cm Right Hand Basin



90cm Left Hand Basin



90cm Right Hand Basin

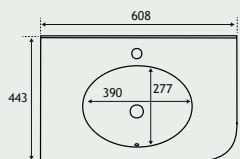
Hardwick Quartz Basins

Description	Colour	Code	£ Ex VAT	£ Inc VAT
Hardwick Quartz Corner 60cm Basin LH	White	36.4003	220.00	264.00
Hardwick Quartz Corner 60cm Basin RH	White	36.4004	220.00	264.00
Hardwick Quartz Corner 90cm Basin LH	White	36.4005	280.00	336.00
Hardwick Quartz Corner 90cm Basin RH	White	36.4006	280.00	336.00

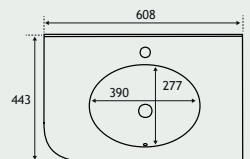
HARDWICK CORNER BASINS TRADITIONAL



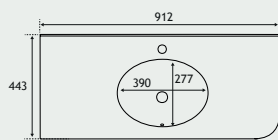
BASINS TECHNICAL



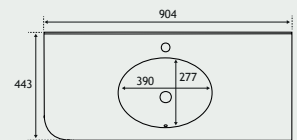
60cm Left Hand Basin



60cm Right Hand Basin



90cm Left Hand Basin



90cm Right Hand Basin

Hardwick Traditional Basins

Description	Colour	Code	£ Ex VAT	£ Inc VAT
Hardwick 60cm Corner Basin LH	White (Plain)	36.0011	191.00	229.20
Hardwick 60cm Corner Basin RH	White (Plain)	36.0014	191.00	229.20
Hardwick 90cm Corner Basin LH	White (Plain)	36.0017	264.00	316.80
Hardwick 90cm Corner Basin RH	White (Plain)	36.0020	264.00	316.80

Hardwick Range

HARDWICK 39CM TRADITIONAL UNIT

Our newly designed Hardwick bathroom furniture features a luxurious basin design that flows perfectly with the traditional inspired curved lines and door panels of the vanity unit.

FEATURES

- Soft close system on door
- Traditional design inspired door design
- High quality painted doors
- Internal wooden shelf

FEATURES - BASIN TOPS

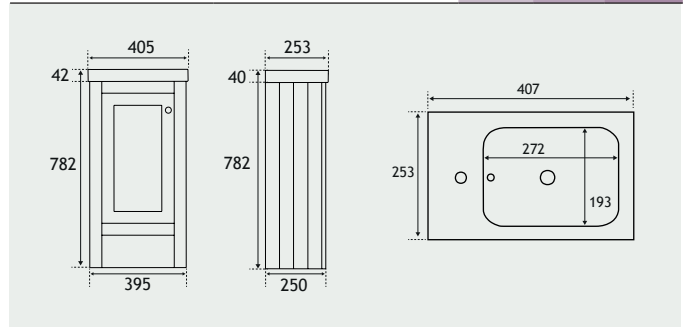
- Polymarble basin predrilled with 1 tap hole
- A modern seamless one-piece basin
- Straight basin designs
- Built in internal overflow as standard



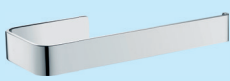
39 CM UNIT




Hardwick Traditional Unit				
Description	Colour	Code	£ Ex VAT	£ Inc VAT
Hardwick 39cm Unit	Matt White	36.0024	311.00	373.20
Hardwick 39cm Unit	Matt Cobalt Blue RAL 5013	36.0070	311.00	373.20
Hardwick 39cm Unit	Matt Anthracite RAL 7016	36.0025	311.00	373.20



Hardwick Traditional Basins				
Description	Colour	Code	£ Ex VAT	£ Inc VAT
Hardwick Traditional 39cm Basin	White	36.0026	94.00	112.80




52.311




52.411

Cloakroom Cavone Extras

Description	Colour	Code	£ Ex VAT	£ Inc VAT
Vercelli Hand Towel Ring	Chrome	52.311	41.00	49.20
Asti Soap Dispenser	Chrome	52.411	49.00	58.80



93.0019



93.0001

Cloakroom Cavone Extras

Description	Colour	Code	£ Ex VAT	£ Inc VAT
Helston Basin Mono (inc waste)	Smooth Black	93.0019	126.00	151.20
Falmouth Basin Mono (inc waste)	Chrome	93.0001	151.00	181.20

Vantage 2000

VANTAGE 2000 PIVOT DOOR - BRUSHED BRASS

Tempered Glass - 6mm 

2000mm High 

NEW



Available
February
2023

Brushed Brass colour shown in images are subject to the limitations of the printing process and may appear different.



DOORS

Vantage 2000 Pivot Door - Brushed Brass

Size	Adjustment	Door Opening	Code	£ Ex VAT	£ Inc VAT
700mm door	640mm-680mm	480mm	49.5008	423.00	507.60
760mm door	700mm-740mm	540mm	49.5009	435.00	522.00
800mm door	740mm-780mm	580mm	49.5011	442.00	530.40
900mm door	840mm-880mm	680mm	49.5012	461.00	553.20
1000mm door	940mm-980mm	720mm	49.5013	480.00	576.00

Adjustment varies when fitted with a side panel.

EXTRAS

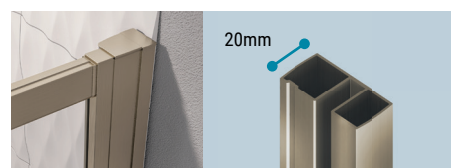
Vantage 2000 Side Panel - Brushed Brass

Size	Adjustment	Code	£ Ex VAT	£ Inc VAT
700mm side panel	660mm-680mm	49.5014	223.00	267.60
760mm side panel	720mm-740mm	49.5015	233.00	279.60
800mm side panel	760mm-780mm	49.5016	239.00	286.80
900mm side panel	860mm-880mm	49.5017	256.00	307.20
1000mm side panel	960mm-980mm	49.5018	272.00	326.40

Vantage 2000 pivot door, 6mm tempered safety glass, 2000mm high

FEATURES

- 10 Year manufacturer's guarantee*
- Easy clean glass
- Trays available to match
- Suitable for power shower
- 6mm Tempered safety glass
- Brushed Brass finish
- Fully concealed fixings *With conditions



EXTRAS

Extension Profile - Brushed Brass

Size	Code	£ Ex VAT	£ Inc VAT
Vantage 2000 6mm Extension Profile Brushed Brass	49.3001	35.00	42.00

Works with both sides of the door to wall, or side panel to wall.

Vantage 2000

VANTAGE 2000 QUADRANT - BRUSHED BRASS

Available February 2023

Tempered Glass - 6mm 

2000mm High 

NEW



Brushed Brass colour shown in images are subject to the limitations of the printing process and may appear different.

Fast Fix Assembly
New at Eastbrook



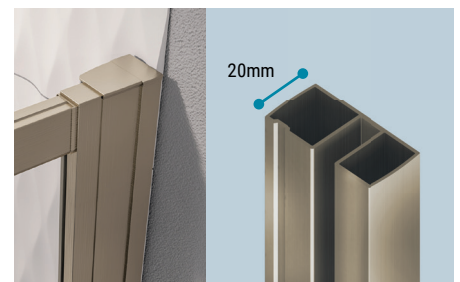
Vantage 2000 quadrant, 6mm tempered safety glass, 2000mm high

FEATURES

- 10 Year manufacturer's guarantee*
- Easy clean glass
- Suitable for power showers
- Trays available to match
- 6mm Tempered safety glass
- Brushed Brass
- Fully concealed fixings
- *With conditions



Runners release for ease of cleaning



DOORS

Vantage 2000 Quadrant - Brushed Brass

Size	Adjustment	Door Opening	Colour	Code	£ Ex VAT	£ Inc VAT
800mm	760-780 x 760-780	425mm	Brushed Brass	49.5025	605.00	726.00
900mm	860-880 x 860-880	479mm	Brushed Brass	49.5026	636.00	763.20
1000mm	960-980 x 960-980	479mm	Brushed Brass	49.5027	669.00	802.80

EXTRAS

Extension Profile - Brushed Brass

Size	Code	£ Ex VAT	£ Inc VAT
Vantage 2000 6mm Extension Profile Brushed Brass	49.3001	35.00	42.00

Works with both sides of the door to wall, or side panel to wall.

Vantage 2000

VANTAGE 2000 OFFSET QUADRANT - BRUSHED BRASS

Tempered Glass - 6mm 

2000mm High 

Available
February
2023



Brushed Brass colour shown in images are subject to the limitations of the printing process and may appear different.

Fast Fix Assembly
New at Eastbrook

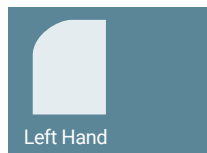
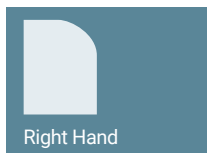
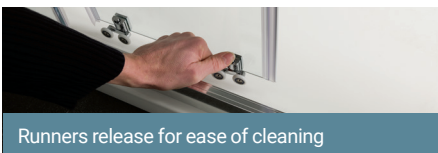


DOORS

Vantage 2000 Offset Quadrant - Brushed Brass

Size	Adjustment	Door Opening	Code	£ Ex VAT	£ Inc VAT
900 x 760mm	860-880 x 720-740	403mm	49.5028	609.00	730.80
900 x 800mm	860-880 x 760-780	425mm	49.5029	616.00	739.20
1000 x 760mm	960-980 x 720-740	403mm	49.5031	620.00	744.00
1000 x 800mm	960-980 x 760-780	425mm	49.5032	627.00	752.40
1000 X 900mm	960-980 x 860-880	479mm	49.5033	669.00	802.80
1100 x 760mm	1060-1080 x 720-740	403mm	49.5034	635.00	762.00
1100 x 800mm	1060-1080 x 760-780	425mm	49.5035	639.00	766.80
1100 x 900mm	1060-1080 x 860-880	479mm	49.5036	680.00	816.00
1200 x 760mm	1160-1180 x 720-740	403mm	49.5037	661.00	793.20
1200 x 800mm	1160-1180 x 760-780	425mm	49.5038	660.00	792.00
1200 x 900mm	1160-1180 x 860-880	479mm	49.5039	699.00	838.80
1300 x 760mm	1260-1280 x 720-740	403mm	49.5041	687.00	824.40
1300 x 800mm	1260-1280 x 760-780	425mm	49.5042	692.00	830.40
1400 x 760mm	1360-1380 x 720-740	403mm	49.5043	714.00	856.80
1400 x 800mm	1360-1380 x 760-780	425mm	49.5044	711.00	853.20

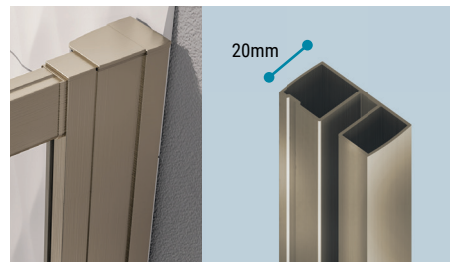
Offset Quadrant reversible left hand or right hand.
This product requires trays with 550mm radius curve.



Vantage 2000 offset quadrant, 6mm tempered glass, 2000mm high.

FEATURES

- 10 Year manufacturer's guarantee* W/Conditions
- Easy clean glass
- Suitable for power showers
- Trays available to match
- 6mm Tempered safety glass
- Brushed Brass finish
- Fully concealed fixings



EXTRAS

Extension Profile - Brushed Brass

Size	Code	£ Ex VAT	£ Inc VAT
Vantage 2000 6mm Extension Profile Brushed Brass	49.3001	35.00	42.00

Works with both sides of the door to wall, or side panel to wall.

Vantage 2000

VANTAGE 2000 SLIDING DOOR - BRUSHED BRASS



Available February 2023

Brushed Brass colour shown in images are subject to the limitations of the printing process and may appear different.



DOORS

Vantage 2000 Sliding Door - Brushed Brass

Size	Adjustment	Door Opening	Code	£ Ex VAT	£ Inc VAT
1000mm door	940mm-980mm	365mm	49.5001	456.00	547.20
1100mm door	1040mm-1080mm	415mm	49.5002	472.00	566.40
1200mm door	1140mm-1180mm	465mm	49.5003	488.00	585.60
1400mm door	1340mm-1380mm	565mm	49.5004	520.00	624.00
1600mm door	1540mm-1580mm	665mm	49.5005	552.00	662.40
1650mm door	1590mm-1630mm	690mm	49.5006	555.00	666.00
1700mm door	1640mm-1680mm	715mm	49.5007	557.00	668.40

Adjustment varies when fitted with a side panel.

EXTRAS

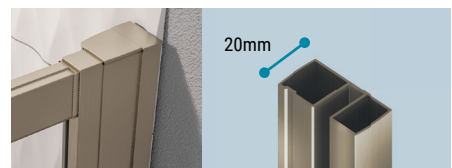
Vantage 2000 Side Panel - Brushed Brass

Size	Adjustment	Code	£ Ex VAT	£ Inc VAT
700mm side panel	660mm-680mm	49.5014	223.00	267.60
760mm side panel	720mm-740mm	49.5015	233.00	279.60
800mm side panel	760mm-780mm	49.5016	239.00	286.80
900mm side panel	860mm-880mm	49.5017	256.00	307.20
1000mm side panel	960mm-980mm	49.5018	272.00	326.40

Vantage 2000 quadrant, 6mm tempered safety glass, 2000mm high

FEATURES

- 10 Year manufacturer's guarantee* W/Conditions
- Easy clean glass
- Suitable for power showers
- 6mm Tempered safety glass
- Brushed Brass finish
- Fully concealed fixings



EXTRAS

Extension Profile - Brushed Brass

Size	Code	£ Ex VAT	£ Inc VAT
Vantage 2000 6mm Extension Profile Brushed Brass	49.3001	35.00	42.00

Works with both sides of the door to wall, or side panel to wall.

Vantage 2000

VANTAGE 2000 BI-FOLD DOOR - BRUSHED BRASS

Tempered Glass - 6mm



2000mm High



NEW



Available
February
2023



Brushed Brass colour shown in images are subject to the limitations of the printing process and may appear different.



DOORS

Vantage 2000 Bi-Fold Door - Brushed Brass

Size	Adjustment	Door Opening	Code	£ Ex VAT	£ Inc VAT
700mm door	640mm-680mm	400mm	49.5019	502.00	602.40
760mm door	700mm-740mm	460mm	49.5021	516.00	619.20
800mm door	740mm-780mm	500mm	49.5022	525.00	630.00
900mm door	840mm-880mm	580mm	49.5023	547.00	656.40
1000mm door	940mm-980mm	660mm	49.5024	355.00	507.60

Adjustment varies when fitted with a side panel.

FEATURES

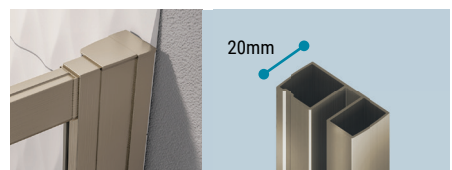
- 10 Year manufacturer's guarantee* W/Conditions
- Easy clean glass
- Suitable for power showers
- Trays available to match
- 6mm Tempered safety glass
- Brushed Brass finish
- Fully concealed fixings

Vantage bi-fold door, 6mm tempered glass, 2000mm high.

EXTRAS

Vantage 2000 Side Panel - Brushed Brass

Size	Adjustment	Code	£ Ex VAT	£ Inc VAT
700mm Side panel	660mm-680mm	49.5014	223.00	267.60
760mm Side panel	720mm-740mm	49.5015	233.00	279.60
800mm Side panel	760mm-780mm	49.5016	239.00	286.80
900mm Side panel	860mm-880mm	49.5017	256.00	307.20
1000mm Side panel	960mm-980mm	49.5018	272.00	326.40



EXTRAS

Extension Profile - Brushed Brass

Size	Code	£ Ex VAT	£ Inc VAT
Vantage 2000 6mm Extension Profile Brushed Brass	49.3001	35.00	42.00

Works with both sides of the door to wall, or side panel to wall.

Corniche 2000

CORNICHE 2000 SLIDING DOOR - CHROME

Available
February
2023

Tempered Glass - 8mm



2000mm High



NEW



DOORS

Corniche 2000 Sliding Door - Chrome

Size	Adjustment	Door Opening	Code	£ Ex VAT	£ Inc VAT
1000mm	965mm-980mm	388mm	49.6001	458.00	549.60
1100mm	1065mm-1080mm	438mm	49.6002	481.00	577.20
1200mm	1165mm-1180mm	488mm	49.6003	505.00	606.00
1400mm	1365mm-1380mm	588mm	49.6004	552.00	662.40
1600mm	1565mm-1580mm	688mm	49.6005	600.00	720.00
1700mm	1665mm-1680mm	738mm	49.6006	620.00	744.00

Adjustment varies when fitted with a side panel.

EXTRAS

Corniche 2000 Side Panel - Chrome

Size	Adjustment	Code	£ Ex VAT	£ Inc VAT
700mm side panel	665mm-680mm	49.6007	262.00	314.40
760mm side panel	725mm-740mm	49.6008	275.00	330.00
800mm side panel	765mm-780mm	49.6009	286.00	343.20
900mm side panel	865mm-880mm	49.6011	300.00	360.00
1000mm side panel	965mm-980mm	49.6012	319.00	382.80

Corniche 2000 quadrant, 8mm tempered safety glass, 2000mm high

FEATURES

- 10 Year manufacturer's guarantee* W/Conditions
- Easy clean glass
- Suitable for power showers
- Trays available to match
- 8mm Tempered safety glass
- Chrome finish
- Fully concealed fixings

Corniche 2000

CORNICHE 2000 SLIDING DOOR - BRUSHED BRASS

Tempered Glass - 8mm 

2000mm High 

NEW



Available
February
2023



Brushed Brass colour shown in images are subject to the limitations of the printing process and may appear different.

DOORS

Corniche 2000 Sliding Door - Brushed Brass

Size	Adjustment	Door Opening	Code	£ Ex VAT	£ Inc VAT
1000mm door	965mm-980mm	388mm	49.6025	561.00	673.20
1100mm door	1065mm-1080mm	438mm	49.6026	588.00	705.60
1200mm door	1165mm-1180mm	488mm	49.6027	616.00	739.20
1400mm door	1365mm-1380mm	588mm	49.6028	668.00	801.60
1600mm door	1565mm-1580mm	688mm	49.6029	713.00	855.60
1700mm door	1665mm-1680mm	738mm	49.6031	734.00	880.80

Adjustment varies when fitted with a side panel.

EXTRAS

Corniche 2000 Side Panel - Brushed Brass

Size	Adjustment	Code	£ Ex VAT	£ Inc VAT
700mm side panel	665mm-680mm	49.6032	295.00	354.00
760mm side panel	725mm-740mm	49.6033	309.00	370.80
800mm side panel	765mm-780mm	49.6034	320.00	384.00
900mm side panel	865mm-880mm	49.6035	335.00	402.00
1000mm side panel	965mm-980mm	49.6036	355.00	426.00



Corniche 2000 quadrant, 8mm tempered safety glass, 2000mm high

FEATURES

- 10 Year manufacturer's guarantee* W/Conditions
- Easy clean glass
- Suitable for power showers
- Trays available to match
- 8mm Tempered safety glass
- Brushed Brass finish
- Fully concealed fixings

Corniche 2000

CORNICHE 2000 SLIDING DOOR - MATT BLACK

Available
February
2023



DOORS

Corniche 2000 Sliding Door - Matt Black

Size	Adjustment	Door Opening	Code	£ Ex VAT	£ Inc VAT
1000mm door	965mm-980mm	388mm	49.6013	516.00	619.20
1100mm door	1065mm-1080mm	438mm	49.6014	542.00	650.40
1200mm door	1165mm-1180mm	488mm	49.6015	567.00	680.40
1400mm door	1365mm-1380mm	588mm	49.6016	616.00	739.20
1600mm door	1565mm-1580mm	688mm	49.6017	658.00	789.60
1700mm door	1665mm-1680mm	738mm	49.6018	677.00	812.40

Adjustment varies when fitted with a side panel.

EXTRAS

Corniche 2000 Side Panel - Matt Black

Size	Adjustment	Code	£ Ex VAT	£ Inc VAT
700mm side panel	665mm-680mm	49.6019	273.00	327.60
760mm side panel	725mm-740mm	49.6021	286.00	343.20
800mm side panel	765mm-780mm	49.6022	297.00	356.40
900mm side panel	865mm-880mm	49.6023	311.00	373.20
1000mm side panel	965mm-980mm	49.6024	330.00	396.00



Corniche 2000 quadrant, 8mm tempered safety glass, 2000mm high

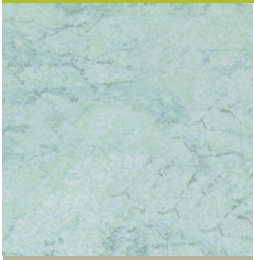
FEATURES

- 10 Year manufacturer's guarantee* W/Conditions
- Easy clean glass
- Suitable for power showers
- Trays available to match
- 8mm Tempered safety glass
- Anodized Matt Black finish
- Fully concealed fixings

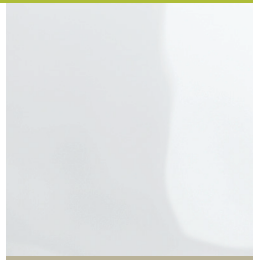
Hydropanel

HYDROPANEL SHOWER PANELLING

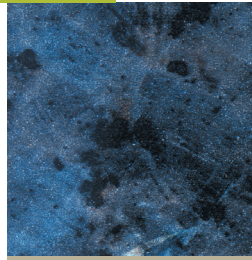
Colour samples subject to the limitations of the printing process



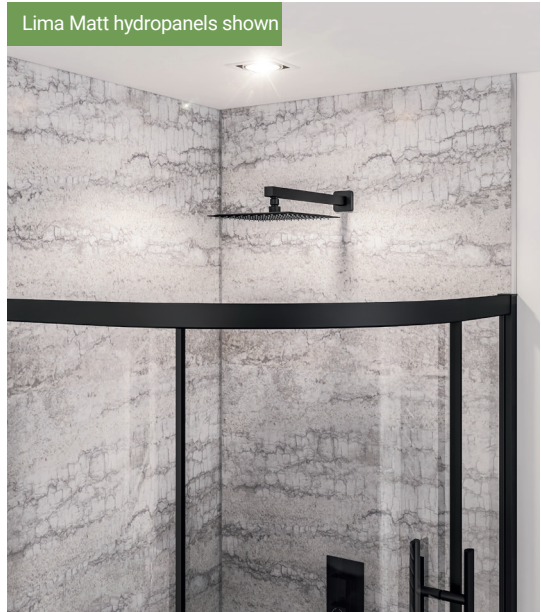
Marble Mint Green Gloss



White Gloss



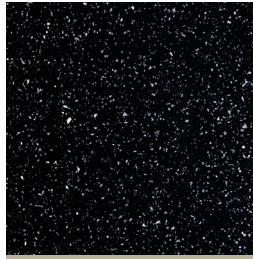
Pacific Blue Granite



Lima Matt hydropanels shown



White Speckle



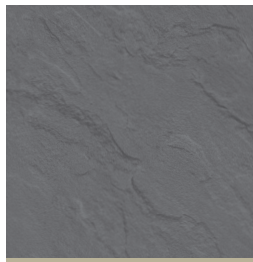
Black Speckle



Brushed Black



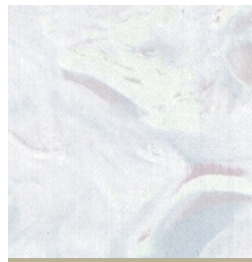
Travertine Gloss



Slate Matt



New Marble White Gloss



Mother of Pearl Gloss



Pebbles



Granite Gloss



Graphite Marble Effect



Lima Matt



Statuario Marble Velvet



Concrete Effect



Stratus Marble Gloss



Straight edge stock panels. All 900mm panels are 2420mm high, all 1200mm panels are 2420mm high, 10mm thick.

Straight Edge Stock Panels						
Colour	900mm	£ Ex VAT	£ Inc VAT	1200mm	£ Ex VAT	£ Inc VAT
Marble mint green gloss	3.101	234.00	280.80	3.201	263.00	315.60
New marble white gloss	3.121	226.00	271.20	3.221	258.00	309.60
Pacific blue granite gloss	3.108	237.00	284.40	3.208	271.00	325.20
White gloss	3.112	226.00	271.20	3.212	258.00	309.60
New Granite gloss	3.129	234.00	280.80	3.229	275.00	330.00
Mother of pearl gloss	3.116	241.00	289.20	3.216	275.00	330.00
Travertine gloss	3.126	241.00	289.20	3.226	275.00	330.00
Slate matt	3.119	241.00	289.20	3.219	275.00	330.00
Pebbles	-	-	-	3.224	277.00	332.40
Brushed black	-	-	-	3.225	292.00	350.40
White speckle	-	-	-	3.227	300.00	360.00
Black speckle	-	-	-	3.228	300.00	360.00
Statuario Marble Velvet	-	-	-	3.151	275.00	330.00
Lima Matt	-	-	-	3.152	275.00	330.00
Concrete Effect	-	-	-	3.153	275.00	330.00
Stratus Marble Gloss	-	-	-	3.154	275.00	330.00
Graphite Marble Effect	-	-	-	3.155	275.00	330.00

Hydropanel

HYDROPANEL SHOWER PANELLING

Hydropanel conforms to class 3 standard fire grade. Class 1 can be obtained with a lead time of approximately one month and a 20% surcharge.

Pictures not to scale.

As with all decorative products, differences in shading can occur between batches.

Please ensure you order enough for the job in hand and also ensure that shades and colours are checked and approved on site before installation commences.

Colour samples available subject to the limitations of the printing process.

600mm Tongue and Groove Panels			
Colour	Code	£ Ex VAT	£ Inc VAT
Marble Green Gloss	3.601	156.00	187.20
New Marble White Gloss	3.621	159.00	190.80
Pacific Blue Granite Gloss	3.608	167.00	200.40
White Gloss	3.612	160.00	192.00
New Granite Gloss	3.629	167.00	200.40
Mother of Pearl Gloss	3.616	161.00	193.20
Slate Matt	3.619	170.00	204.00
Travertine Gloss	3.626	167.00	200.40

2430 mm high, 11mm thick. Please note: Panels are 600mm wide, finished face 585mm.

Accessories			
Description	Code	£ Ex VAT	£ Inc VAT
Hydropanel Adhesive 310ml*	32.005	15.00	18.00
Hydropanel Sealant 310ml*	32.006	15.00	18.00
Hydropanel Cleaner 500ml	32.007	14.00	16.80

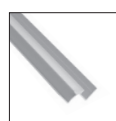
*Normal requirement 1 tube per

FEATURES

- Lightweight core material
- Waterproof surface
- Chemical resistant
- Easy clean surface
- Resistant to distortion
- Fade free



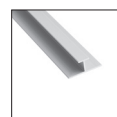
End 'U'



Internal



Pebbles hydropanels shown



Join 'H'



Anthracite



Silver



Bright Silver



Gold



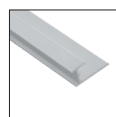
White



L



Scotia



Base Seal



External

Extrusions. All 2430-2440mm lengths.

Straight Edge Stock Panels															
Description	Bright Silver			Satin Silver			White			Gold			Anthracite		
	Code	£ Ex VAT	£ Inc VAT	Code	£ Ex VAT	£ Inc VAT	Code	£ Ex VAT	£ Inc VAT	Code	£ Ex VAT	£ Inc VAT	Code	£ Ex VAT	£ Inc VAT
Hydropanel Internal	32.311	33.00	39.60	32.001	32.00	38.40	32.101	33.00	39.60	-	-	-	32.301	53.00	63.60
Hydropanel External	32.312	37.00	44.40	32.002	33.00	39.60	32.102	37.00	44.40	-	-	-	32.302	57.00	68.40
End 'U'	32.313	30.00	36.00	32.003	21.00	25.20	32.103	24.00	28.80	-	-	-	32.303	36.00	43.20
Join 'H'	32.314	31.00	37.20	32.004	29.00	34.80	32.104	32.00	38.40	-	-	-	32.304	41.00	49.20
'L' shape	32.319	22.00	26.40	32.009	19.00	22.80	32.109	20.00	24.00	-	-	-	-	-	-
Scotia	32.320	29.00	34.80	32.010	22.00	26.40	32.110	24.00	28.80	-	-	-	-	-	-
Base seal	32.318	29.00	34.80	32.008	22.00	26.40	32.108	22.00	26.40	32.208†	30.00	36.00	32.308	22.00	26.40

Note: Gold is antique, silver is anodised and white is powder coated. †While stocks last

PVC Widepanel

PVC WIDEPANELS



NB: Widepanels 1000mm wide. Shown above Black Marble.

Ideal for walls and ceilings in bathrooms, showers and kitchens

- 1000mm wide tongue and groove Widepanels
- Wetroom Widepanels for all showers
- Suitable for wet and dry areas
- Suitable for both walls and ceilings
- Easy installation, no wet trades required
- Non-porous and mould free
- Full range of accessories
- Hygienic wipe clean surface
- Virtually maintenance free
- PVC Widepanels are 2400mm high by 1000mm wide
- Profiles are 2400mm long (Can vary by up to 2%)
- H-join decor strips available in white and silver
- No tiling or grouting to discolour or leak
- Excellent insulation and sound proofing
- 10.5mm thickness
- Class 1 fire rated for commercial and domestic installations
- Light and easy to fit
- 100% waterproof. No water can be drawn into the core
- Made of recyclable PVC
- Is strong and rigid
- Accessories can be screwed securely onto PVC Widepanels

PVC Widepanel

Hardwearing PVC surface suitable for all areas domestic and commercial



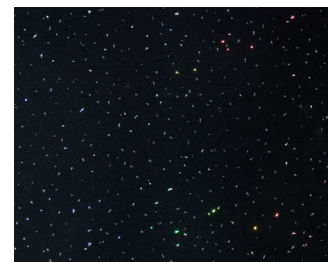
Marble Cream



Black Marble Gloss



Travertine Gloss



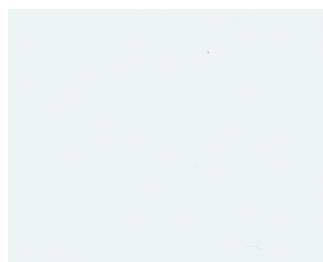
Black Sparkle



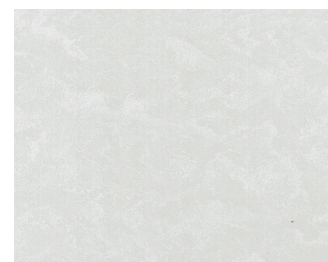
Carrara Marble



Marble Blue



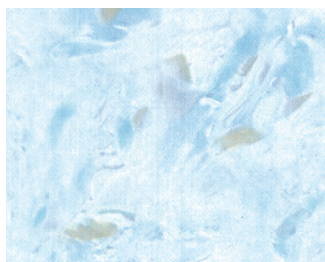
White



Pearl White



White Sparkle



Mother Of Pearl



Concrete Beige Matt



Concrete Dark Matt Grey

PVC Widepanel 1000 x 2400mm				
Colour	Size	Code	£ Ex VAT	£ Inc VAT
Marble blue Gloss	1000x2400mm	13.502	119.00	142.80
Carrara marble Gloss	1000x2400mm	13.504	119.00	142.80
Marble cream	1000x2400mm	13.507	119.00	142.80
White Gloss	1000x2400mm	13.512	119.00	142.80
Mother of Pearl	1000x2400mm	13.516	119.00	142.80
Travertine	1000x2400mm	13.520	119.00	142.80
Pearl White	1000x2400mm	13.521	119.00	142.80
Black Marble Gloss	1000x2400mm	13.522	119.00	142.80
Black Sparkle	1000x2400mm	13.523	126.00	151.20
White Sparkle	1000x2400mm	13.524	126.00	151.20
Concrete Beige Matt	1000x2400mm	13.525	119.00	142.80
Tuscany Grey Marble	1000x2400mm	13.151	120.00	144.00
Concrete Dark Matt Grey	1000x2400mm	13.152	120.00	144.00

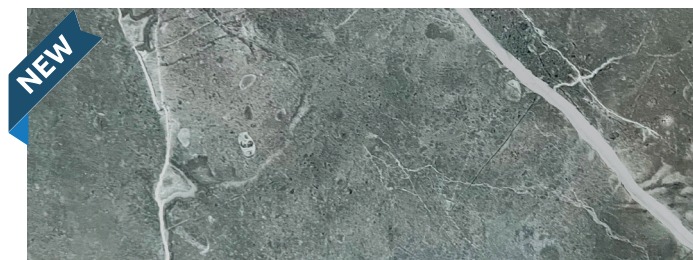
NB: Panels - range from 2400-2430 height

NB: All panels are 1000mm wide.

Colours are subject to the limitations of the printing process, and should only be used as a guide to colour matching.

NB: As with all decorative products differences in shading can occur between batches.

Please ensure you order enough to complete the job in hand and also ensure that shades and colours are checked and approved on site before installation commences.



Tuscany Grey Marble

PVC Profiles			
Description	White	£ Ex VAT	£ Inc VAT
PVC Widepanel internal corner	13.311	17.00	20.40
PVC Widepanel external corner	13.312	18.00	21.60
PVC Widepanel end U	13.313	14.00	16.80
PVC Widepanel join H	13.316	16.00	19.20

Aluminium Profiles			
Description	Bright Silver	£ Ex VAT	£ Inc VAT
Widepanel aluminium internal	32.311	33.00	39.60
Widepanel aluminium external	32.312	37.00	44.40
Widepanel aluminium end U	32.313	30.00	36.00
Widepanel aluminium join H	32.314	31.00	37.20



Multirail Range

WENDOVER - STRAIGHT MATT ANTHRACITE



Pictured 41.0326 Matt Anthracite

A modern ladder towel rail in a stunning matt anthracite finish. This rail will add a touch of class to finish off your bathroom.

FEATURES

- 22mm diameter horizontal round tubes
- Tested to BS EN 442 standards
- 5 Year manufacturer's warranty*
- Can be single or dual fuel, or all electric
- * With conditions

Technical Tables & Drawings

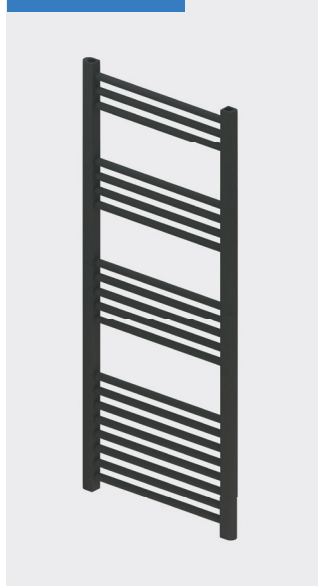
Page 744-745



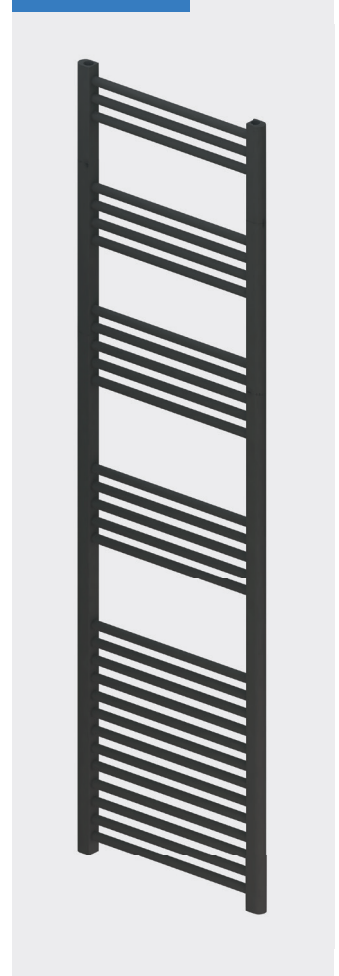
Wendover - Straight Matt Anthracite

Size H x W	Watts	BTU	Element Output	Element Type	Code	£ Ex VAT	£ Inc VAT
600 x 400mm	241	822	150W	A, A+, D, E, F, G	41.0320	61.00	73.20
600 x 500mm	285	972	150W	A, A+, D, E, F, G	41.0321	65.00	78.00
600 x 600mm	330	1126	150W	A, A+, D, E, F, G	41.0322	69.00	82.80
1200 x 400mm	482	1645	300W	A, A+, D, E, F, G	41.0323	91.00	109.20
1200 x 500mm	571	1948	300W	A, A+, D, E, F, G	41.0324	95.00	114.00
1200 x 600mm	661	2255	300W	A, A+, D, E, F, G	41.0325	101.00	121.20
1800 x 500mm	856	2921	450W	A, A+, D, E, F, G	41.0326	132.00	158.40
1800 x 600mm	991	3381	600W	A, A+, D, E, F, G	41.0327	142.00	170.40

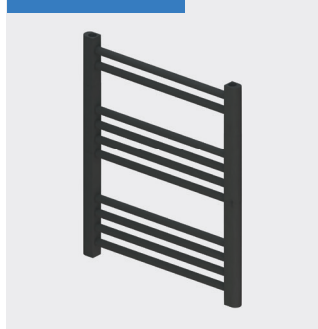
1200mm High



1800mm High



600mm High



TECHNICAL INFORMATION

All measurements in Height by Width. Heat output based on ▲T60°C. Radiators that are electric only are restricted to the heat output of the elements. Element size can be increased to full capacity of rail if using element type D, E, F or G. For element types see pages 718-729. For matching valves see pages 731-737. For indirect heating systems only. Tappings are approx. 50mm less than the width of the rail and approx. 70mm off the wall. Price includes radiator and wall fixing sets, valves extra.

Round Vent Caps

Page 741



Robe Hooks

Page 738



Room Divider Bracket Sets

Page 739



Multi-Rail Hangers

Page 738



Warranty

5

Year

Diameter (Ø)

22

MM Bars

Heating

All Electric

Dual-Fuel

Multirail Range

Including new colour

WENDOVER - STRAIGHT BRUSHED BRASS

Wendover - Straight Brushed Brass						New Colour	
Size H x W	Watts	BTU	Element Output	Element Type	Code	£ Ex VAT	£ Inc VAT
800 x 500mm*	309	1054	150W	A, A+, D, E, F, G	41.0361	269.00	322.80
800 x 600mm*	359	1225	150W	A, A+, D, E, F, G	41.0362	281.00	337.20
1200 x 500mm*	450	1535	150W	A, A+, D, E, F, G	41.0363	385.00	462.00
1200 x 600mm*	554	1890	300W	A, A+, D, E, F, G	41.0364	403.00	483.60
1400 x 500mm*	504	1720	150W	A, A+, D, E, F, G	41.0365	439.00	526.80
1400 x 600mm*	582	1986	300W	A, A+, D, E, F, G	41.0366	460.00	552.00
1600 x 500mm*	589	2010	300W	A, A+, D, E, F, G	41.0367	501.00	601.20
1600 x 600mm*	681	2324	300W	A, A+, D, E, F, G	41.0368	525.00	630.00
1800 x 500mm*	675	2303	300W	A, A+, D, E, F, G	41.0369	563.00	675.60
1800 x 600mm*	780	2661	450W	A, A+, D, E, F, G	41.0370	591.00	709.20

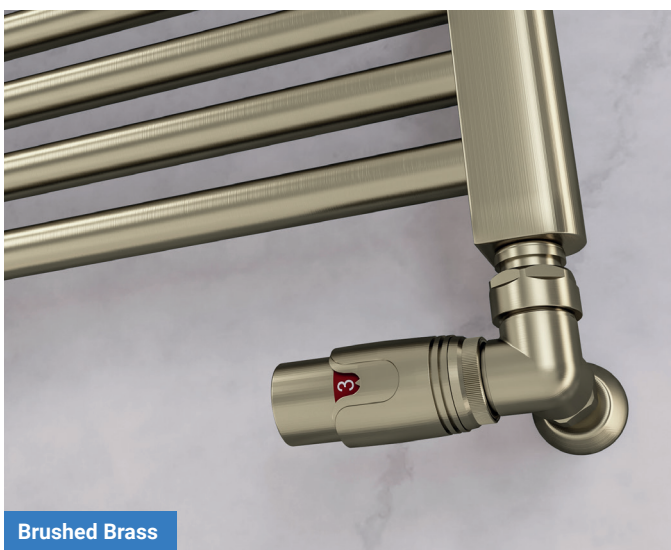
* Available February 2023.

A modern ladder towel rail in a stunning brushed brass finish. This rail will add a touch of class to finish off your bathroom.

FEATURES

- 22mm diameter horizontal round tubes
- Rear fixing wall brackets
- Tested to BS EN 442 standards
- 5 Year manufacturer's warranty*
- Can be single or dual fuel, or all electric

* With conditions



Brushed Brass

41.3037



15mm Corner TRV & Lockshield - Brushed Brass			New Colour
Code	£ Ex VAT	£ Inc VAT	
41.3037	76.00	91.20	



Rear fixing wall brackets

Brushed Brass colour shown in images are subject to the limitations of the printing process and may appear different.

<p>Warranty</p> <p>5</p> <p>Year</p>	<p>Diameter (Ø)</p> <p>22</p> <p>MM Bars</p>	<p>Heating</p>	<p>All Electric</p>	<p>Dual-Fuel</p>
---------------------------------------------	-----------------------------------------------------	----------------	---------------------	------------------

TECHNICAL INFORMATION

All measurements in Height by Width. Heat output based on $\Delta T60^{\circ}C$. Radiators that are electric only are restricted to the heat output of the elements. Element size can be increased to full capacity of rail if using element types D, E, F or G. For element types see pages 718-729. For matching valves see pages 731-737. For indirect heating systems only. Tappings are approx. 50mm less than the width of the rail and approx. 70mm off the wall. Price includes radiator and wall fixing sets, valves extra.

Multirail Range

BIAVA MULTIRAIL HIDDEN VENT (HV), STRAIGHT

Including new colour

Pictured 61.0082 Chrome

Pictured 61.0088 Gloss White



PRICE
REDUCTION

Warranty
5
Year

Diameter (Ø)
22
MM Bars

Price reduction due to new automated production facility.

Heating

All Electric

Dual-Fuel

Biava Multirail HV towel rail rewrites the standards with the air vent hidden at the back of the towel rail and flush finished tops.

FEATURES

- Tested to BS EN 442 standards
- Hidden air vent at the rear
- Tappings only at the bottom
- Flush finished tops
- Can be single, dual fuel or all electric
- 5 Year Manufacturer's Warranty*
- * With conditions

Technical Tables
& Drawings
Page 746-747



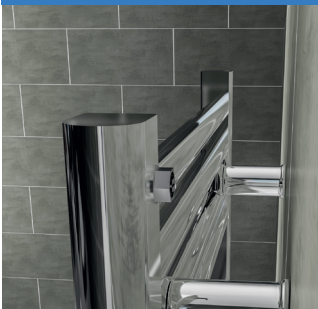
Multirail Range

Including new colour

Sleek, Minimalistic Tops



Rear Side Hidden Air Vent



Pictured 61.0079 Chrome



BIAVA MULTIRAIL HIDDEN VENT (HV), STRAIGHT

Biava Multirail Hidden Vent (HV) Straight - Chrome

Size H x W	Watts	BTU	Element Output	Element Type	Code	£ Ex VAT	£ Inc VAT
360 x 400mm	113	386	N/A	N/A	61.0074	54.00	64.80
688 x 450mm	270	921	150W	A, A+, D, E, F, G	61.0075	81.00	97.20
688 x 600mm	344	1174	150W	A, A+, D, E, F, G	61.0076	92.00	110.40
688 x 750mm	418	1426	150W	A, A+, D, E, F, G	61.0077	103.00	123.60
1118 x 450mm	430	1467	150W	A, A+, D, E, F, G	61.0078	119.00	142.80
1118 x 600mm	546	1863	300W	A, A+, D, E, F, G	61.0079	135.00	162.00
1118 x 750mm	663	2262	300W	A, A+, D, E, F, G	61.0080	147.00	176.40
1720 x 450mm	663	2262	300W	A, A+, D, E, F, G	61.0081	159.00	190.80
1720 x 600mm	843	2876	450W	A, A+, D, E, F, G	61.0082	186.00	223.20
1720 x 750mm	1024	3494	600W	A, A+, D, E, F, G	61.0083	213.00	255.60

Biava Multirail Hidden Vent (HV) Straight - Gloss White

Size H x W	Watts	BTU	Element Output	Element Type	Code	£ Ex VAT	£ Inc VAT
360 x 400mm	145	495	100W	A, A+, D, E, F, G	61.0084	46.00	55.20
688 x 450mm	344	1174	150W	A, A+, D, E, F, G	61.0085	63.00	75.60
688 x 600mm	438	1494	150W	A, A+, D, E, F, G	61.0086	69.00	82.80
688 x 750mm	532	1815	300W	A, A+, D, E, F, G	61.0087	75.00	90.00
1118 x 450mm	546	1863	300W	A, A+, D, E, F, G	61.0088	82.00	98.40
1118 x 600mm	695	2371	300W	A, A+, D, E, F, G	61.0089	92.00	110.40
1118 x 750mm	843	2876	450W	A, A+, D, E, F, G	61.0090	102.00	122.40
1720 x 450mm	843	2876	450W	A, A+, D, E, F, G	61.0091	111.00	133.20
1720 x 600mm	1072	3658	600W	A, A+, D, E, F, G	61.0092	126.00	151.20
1720 x 750mm	1302	4442	750W	A, A+, D, E, F, G	61.0093	141.00	169.20

Biava Multirail Hidden Vent (HV) Straight - Matt White

New Colour

Size H x W	Watts	BTU	Element Output	Element Type	Code	£ Ex VAT	£ Inc VAT
360 x 400mm	145	495	100W	A, A+, D, E, F, G	61.0114	46.00	55.20
688 x 450mm	344	1174	150W	A, A+, D, E, F, G	61.0115	63.00	75.60
688 x 600mm	438	1494	150W	A, A+, D, E, F, G	61.0116	69.00	82.80
688 x 750mm	532	1815	300W	A, A+, D, E, F, G	61.0117	75.00	90.00
1118 x 450mm	546	1863	300W	A, A+, D, E, F, G	61.0118	82.00	98.40
1118 x 600mm	695	2371	300W	A, A+, D, E, F, G	61.0119	92.00	110.40
1118 x 750mm	843	2876	450W	A, A+, D, E, F, G	61.0120	102.00	122.40
1720 x 450mm	843	2876	450W	A, A+, D, E, F, G	61.0121	111.00	133.20
1720 x 600mm	1072	3658	600W	A, A+, D, E, F, G	61.0122	126.00	151.20
1720 x 750mm	1302	4442	750W	A, A+, D, E, F, G	61.0123	141.00	169.20

Multi-Rail Hangers

Page 738



Towel Hangers

Page 738



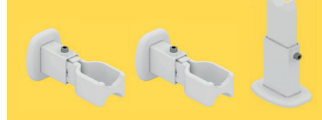
Robe Hooks

Page 738



Room Divider Bracket Sets

Page 739



TECHNICAL INFORMATION

All measurements in Height by Width. Heat output based on $\Delta T60^{\circ}\text{C}$. Radiators that are electric only are restricted to the heat output of the elements. Element size can be increased to full capacity of rail if using element type D, E, F or G. For element types see pages 718-729. For matching valves see pages 731-737. For indirect heating systems only. Tappings are approx. 50mm less than the width of the rail and approx. 70-85mm off the wall. Price includes radiator and wall fixing sets, valves extra.

360mm High



688mm High



1118mm High



1720mm High



Multirail Range

RION MULTIRAIL

New Product

NEW

Bar Dimensions (mm)

Horizontal Bars 20 x 20mm
Vertical Bars D Shape 40 x 30mm

Technical Tables
& Drawings
Page 748-749



Pictured 89.1691 Chrome

Rear fixing metal wall brackets



Pictured 89.1677 Matt Anthracite

D Shaped vertical bars meet square 20x20mm horizontal bars in this modern and elegant designed towel rail. Available in 3 heights and 2 widths with 4 colour options.

FEATURES

- 40x30mm D shape vertical bars with 20x20mm square horizontal bars
 - Rear fixing metal wall brackets
 - Tested to BS EN 442 standards
 - 4 colours available from stock
 - 5 Year Manufacturer's Warranty*
- *With conditions



Round Vent Caps

Page 741



Multirail Range

New Product								RION MULTIRAIL							
Rion Multirail - Gloss White								Rion Multirail - Matt Black							
Size H x W	Watts	BTU	Element Output	Element Type	Code	£ Ex VAT	£ Inc VAT	Size H x W	Watts	BTU	Element Output	Element Type	Code	£ Ex VAT	£ Inc VAT
800 x 500mm	419	1430	150W	A, A+, D, E, F, G	89.1671	128.00	153.60	800 x 500mm	419	1430	150W	A, A+, D, E, F, G	89.1683	128.00	153.60
800 x 600mm	478	1631	150W	A, A+, D, E, F, G	89.1672	145.00	174.00	800 x 600mm	478	1631	150W	A, A+, D, E, F, G	89.1684	145.00	174.00
1200 x 500mm	649	2215	150W	A, A+, D, E, F, G	89.1673	213.00	255.60	1200 x 500mm	649	2215	150W	A, A+, D, E, F, G	89.1685	213.00	255.60
1200 x 600mm	740	2525	300W	A, A+, D, E, F, G	89.1674	233.00	279.60	1200 x 600mm	740	2525	300W	A, A+, D, E, F, G	89.1686	233.00	279.60
1800 x 500mm	985	3361	300W	A, A+, D, E, F, G	89.1675	300.00	360.00	1800 x 500mm	985	3361	300W	A, A+, D, E, F, G	89.1687	300.00	360.00
1800 x 600mm	1122	3829	300W	A, A+, D, E, F, G	89.1676	330.00	396.00	1800 x 600mm	1122	3829	300W	A, A+, D, E, F, G	89.1688	330.00	396.00
Rion Multirail - Matt Anthracite								Rion Multirail - Chrome							
Size H x W	Watts	BTU	Element Output	Element Type	Code	£ Ex VAT	£ Inc VAT	Size H x W	Watts	BTU	Element Output	Element Type	Code	£ Ex VAT	£ Inc VAT
800 x 500mm	419	1430	150W	A, A+, D, E, F, G	89.1677	128.00	153.60	800 x 500mm	269	918	100W	A, A+, D, E, F, G	89.1689	187.00	224.40
800 x 600mm	478	1631	150W	A, A+, D, E, F, G	89.1678	145.00	174.00	800 x 600mm	304	1038	100W	A, A+, D, E, F, G	89.1690	212.00	254.40
1200 x 500mm	649	2215	150W	A, A+, D, E, F, G	89.1679	213.00	255.60	1200 x 500mm	420	1434	150W	A, A+, D, E, F, G	89.1691	313.00	375.60
1200 x 600mm	740	2525	300W	A, A+, D, E, F, G	89.1680	233.00	279.60	1200 x 600mm	475	1621	150W	A, A+, D, E, F, G	89.1692	341.00	409.20
1800 x 500mm	985	3361	300W	A, A+, D, E, F, G	89.1681	300.00	360.00	1800 x 500mm	653	2229	150W	A, A+, D, E, F, G	89.1693	440.00	528.00
1800 x 600mm	1122	3829	300W	A, A+, D, E, F, G	89.1682	330.00	396.00	1800 x 600mm	738	2519	300W	A, A+, D, E, F, G	89.1694	484.00	580.80

TECHNICAL INFORMATION

All measurements in Height by Width. Heat output based on $\Delta T60^{\circ}\text{C}$. Radiators that are electric only are restricted to the heat output of the elements. Element size can be increased to full capacity of rail if using element type D, E, F or G. For element types see pages 718-729. For matching valves see pages 731-737. For indirect heating systems only. Tappings are approx. 45mm less than the width of the rail and approx. 80mm off the wall. Price includes radiator and wall fixing sets, valves extra.



Warranty

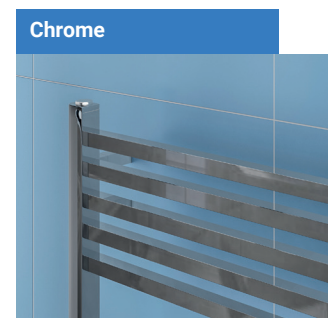
5

Year

Heating

All Electric

Dual-Fuel



Multirail Range

TUSCAN SQUARE MULTIRAIL

New Product

Technical Tables
& Drawings
Page 752-753



NEW



Pictured 89.1667 Chrome



Pictured 89.1648 Gloss White

Bar Dimensions (mm)

Horizontal Bars 20 x 20mm
Vertical Bars 30 x 30mm

Rear fixing metal wall brackets

The very popular Tuscan Square towel rail is now available as Multirail. Available in 3 heights and 2 widths with 4 colour options.

FEATURES

- 30x30mm square vertical bars with 20x20mm square horizontal bars
 - Rear fixing metal wall brackets
 - Tested to BS EN 442 standards
 - 4 colours available from stock
 - 5 Year Manufacturer's Warranty*
- *With conditions



Round Vent Caps

Page 741



Multirail Range

New Product

TUSCAN SQUARE MULTIRAIL

Tuscan Square Multirail - Gloss White

Size H x W	Watts	BTU	Element Output	Element Type	Code	£ Ex VAT	£ Inc VAT
800 x 500mm	425	1451	150W	A, A+, D, E, F, G	89.1647	128.00	153.60
800 x 600mm	497	1696	150W	A, A+, D, E, F, G	89.1648	145.00	174.00
1200 x 500mm	662	2259	150W	A, A+, D, E, F, G	89.1649	213.00	255.60
1200 x 600mm	775	2645	300W	A, A+, D, E, F, G	89.1650	233.00	279.60
1800 x 500mm	980	3344	300W	A, A+, D, E, F, G	89.1651	300.00	360.00
1800 x 600mm	1147	3914	300W	A, A+, D, E, F, G	89.1652	330.00	396.00

Tuscan Square Multirail - Matt Black

Size H x W	Watts	BTU	Element Output	Element Type	Code	£ Ex VAT	£ Inc VAT
800 x 500mm	425	1451	150W	A, A+, D, E, F, G	89.1659	128.00	153.60
800 x 600mm	497	1696	150W	A, A+, D, E, F, G	89.1660	145.00	174.00
1200 x 500mm	662	2259	150W	A, A+, D, E, F, G	89.1661	213.00	255.60
1200 x 600mm	775	2645	300W	A, A+, D, E, F, G	89.1662	233.00	279.60
1800 x 500mm	980	3344	300W	A, A+, D, E, F, G	89.1663	300.00	360.00
1800 x 600mm	1147	3914	300W	A, A+, D, E, F, G	89.1664	330.00	396.00

Tuscan Square Multirail - Matt Anthracite

Size H x W	Watts	BTU	Element Output	Element Type	Code	£ Ex VAT	£ Inc VAT
800 x 500mm	425	1451	150W	A, A+, D, E, F, G	89.1653	128.00	153.60
800 x 600mm	497	1696	150W	A, A+, D, E, F, G	89.1654	145.00	174.00
1200 x 500mm	662	2259	150W	A, A+, D, E, F, G	89.1655	213.00	255.60
1200 x 600mm	775	2645	300W	A, A+, D, E, F, G	89.1656	233.00	279.60
1800 x 500mm	980	3344	300W	A, A+, D, E, F, G	89.1657	300.00	360.00
1800 x 600mm	1147	3914	300W	A, A+, D, E, F, G	89.1658	330.00	396.00

Tuscan Square Multirail - Chrome

Size H x W	Watts	BTU	Element Output	Element Type	Code	£ Ex VAT	£ Inc VAT
800 x 500mm	274	935	100W	A, A+, D, E, F, G	89.1665	187.00	224.40
800 x 600mm	316	1079	100W	A, A+, D, E, F, G	89.1666	212.00	254.40
1200 x 500mm	426	1454	150W	A, A+, D, E, F, G	89.1667	313.00	375.60
1200 x 600mm	491	1676	150W	A, A+, D, E, F, G	89.1668	341.00	409.20
1800 x 500mm	645	2201	150W	A, A+, D, E, F, G	89.1669	440.00	528.00
1800 x 600mm	744	2539	300W	A, A+, D, E, F, G	89.1670	484.00	580.80

TECHNICAL INFORMATION

All measurements in Height by Width. Heat output based on $\Delta T60^{\circ}C$. Radiators that are electric only are restricted to the heat output of the elements. Element size can be increased to full capacity of rail if using element type D, E, F or G. For element types see pages 718-729. For matching valves see pages 731-737. For indirect heating systems only. Tappings are approx. 30mm less than the width of the rail and approx. 80mm off the wall. Price includes radiator and wall fixing sets, valves extra.



Warranty

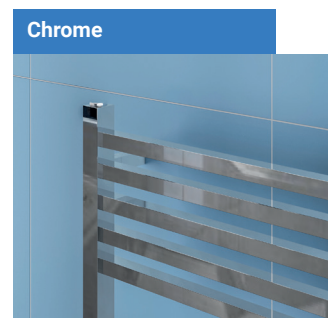
5

Year

Heating

All Electric

Dual-Fuel



Dry Element Range

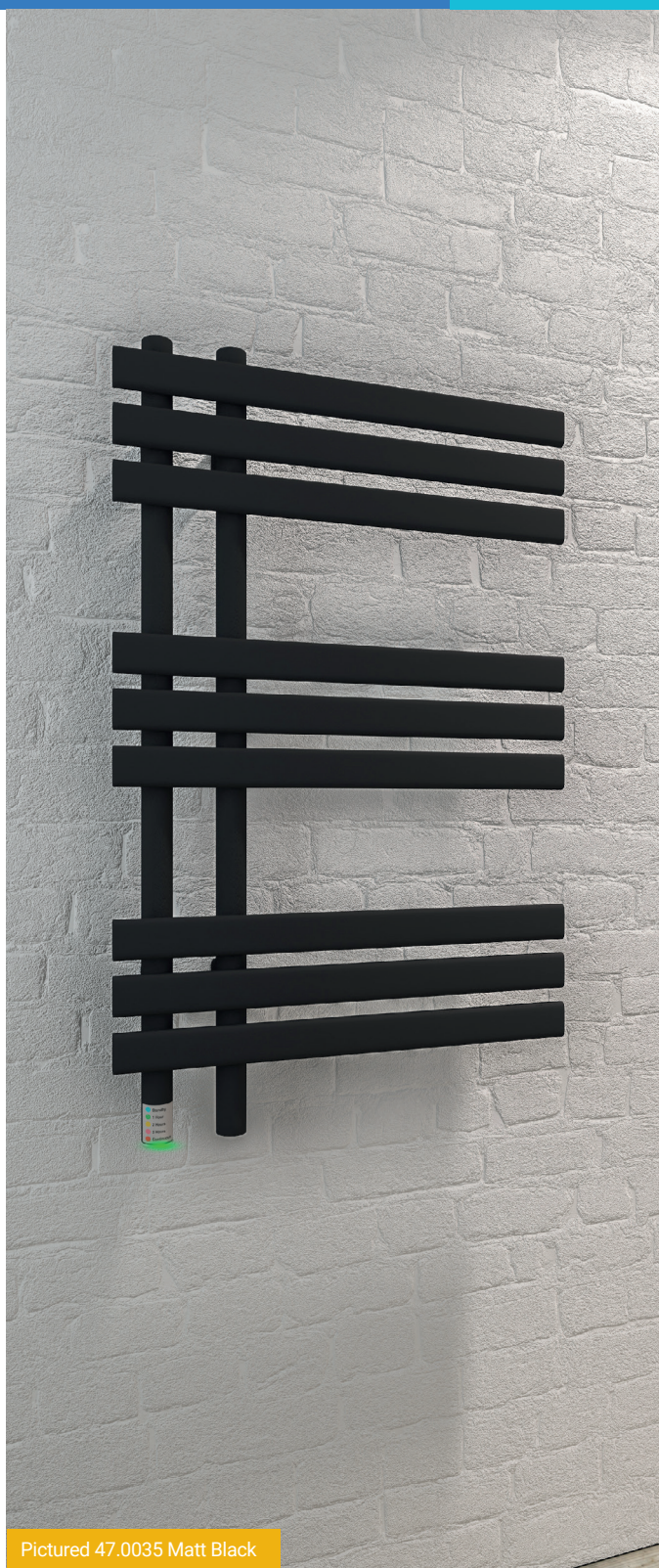
LODDON DRY ELEMENT

New Product

NEW



Pictured 47.0042 Chrome



Pictured 47.0035 Matt Black

FEATURES

- No fluid filling required
 - Just connect and Go
 - Material of Towel Rail : Mild Steel
 - IPX4 certificates (Zone 2 and 3)
 - 4 colours available from stock
 - 2 Year Manufacturer's Warranty*
- *With conditions

Technical Tables
& Drawings
Page 754-755



Warranty

2
Year

All Electric



This product is electric only installation and cannot be used on a central heating system.

Dry Element Range

New Product

LODDON DRY ELEMENT

Loddon Dry Element Towel Rail - Matt White

Size H x W	Watts	BTU	Code	£ Ex VAT	£ Inc VAT
800 x 500mm*	300	1024	47.0027	402.00	482.40
800 x 600mm*	350	1195	47.0028	424.00	508.80
1200 x 500mm	450	1536	47.0029	495.00	594.00
1200 x 600mm	500	1707	47.0030	522.00	626.40

Loddon Dry Element Towel Rail - Matt Black

Size H x W	Watts	BTU	Code	£ Ex VAT	£ Inc VAT
800 x 500mm*	300	1024	47.0035	402.00	482.40
800 x 600mm*	350	1195	47.0036	424.00	508.80
1200 x 500mm	450	1536	47.0037	495.00	594.00
1200 x 600mm	500	1707	47.0038	522.00	626.40

Loddon Dry Element Towel Rail - Matt Anthracite

Size H x W	Watts	BTU	Code	£ Ex VAT	£ Inc VAT
800 x 500mm*	300	1024	47.0031	402.00	482.40
800 x 600mm*	350	1195	47.0032	424.00	508.80
1200 x 500mm	450	1536	47.0033	495.00	594.00
1200 x 600mm	500	1707	47.0034	522.00	626.40

Loddon Dry Element Towel Rail - Chrome

Size H x W	Watts	BTU	Code	£ Ex VAT	£ Inc VAT
800 x 500mm*	300	1024	47.0039	478.00	573.60
800 x 600mm*	350	1195	47.0040	534.00	640.80
1200 x 500mm	450	1536	47.0041	560.00	672.00
1200 x 600mm	500	1707	47.0042	615.00	738.00

*The total height of this rail is 780mm

*The total height of this rail is 780mm

TECHNICAL INFORMATION

All measurements in Height by Width. Heat output based on ▲T60°C. Can not be fitted upside down. Comes with an information label in the front that can be removed. Projection from wall 100mm.

Colour Coded Boost Function

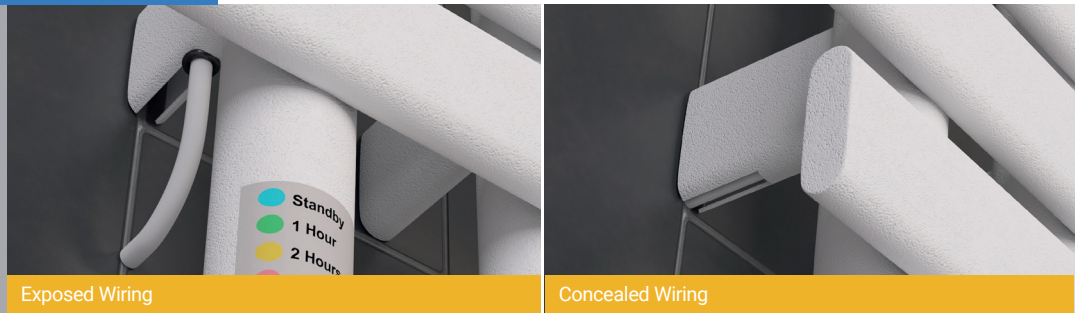
The Loddon Dry Element towel rail has a colour coded boost function which allows the length of time the rail runs for to be set.

It can be on standby, 1 hour, 2 hours, 3 hours or continuously running.



Concealed or Exposed Wiring Option

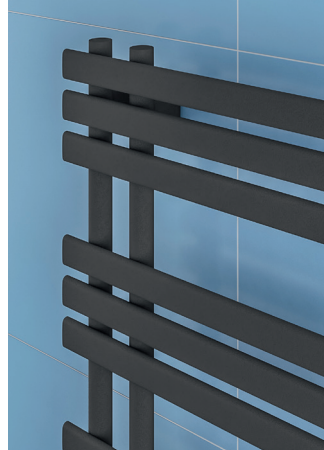
The Loddon Dry Element towel rail can be installed with two different wiring options; an exposed wiring installation or concealed wiring installation.



Matt White



Matt Anthracite



Matt Black



Chrome



Dry Element Range

KENNET DRY ELEMENT

New Product

NEW



Pictured 47.0049 Chrome



Pictured 47.0044 Matt Anthracite

Warranty

2

Year

All Electric

FEATURES

- No fluid filling required
 - Just connect and Go
 - Material of Towel Rail : Mild Steel
 - IPX4 certificates (Zone 2 and 3)
 - 2 colours available from stock
 - 2 Year Manufacturer's Warranty*
- *With conditions

Technical Tables & Drawings

Page 754-755



This product is electric only installation and cannot be used on a central heating system.

Kennet Dry Element Towel Rail - Matt Anthracite

Size H x W	Watts	BTU	Code	£ Ex VAT	£ Inc VAT
700 x 500mm*	120	410	47.0043	376.00	451.20
700 x 600mm*	150	512	47.0044	398.00	477.60
1200 x 500mm**	200	683	47.0045	446.00	535.20
1200 x 600mm**	230	785	47.0046	483.00	579.60

Kennet Dry Element Towel Rail - Chrome

Size H x W	Watts	BTU	Code	£ Ex VAT	£ Inc VAT
700 x 500mm*	120	410	47.0047	429.00	514.80
700 x 600mm*	150	512	47.0048	447.00	536.40
1200 x 500mm**	200	683	47.0049	506.00	607.20
1200 x 600mm**	230	785	47.0050	544.00	652.80

* Height shown excludes bottom control leg. Total height is 744.5mm

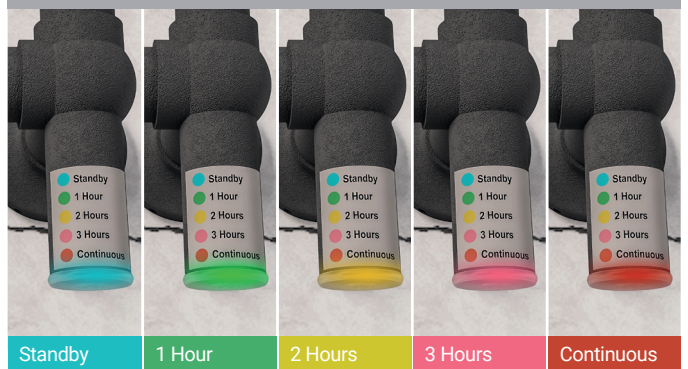
** Height shown excludes bottom control leg. Total height is 1253mm

TECHNICAL INFORMATION

All measurements in Height by Width. Heat output based on $\Delta T60^{\circ}C$. Can not be fitted upside down. Comes with an information label in the front that can be removed. Projection from wall 130mm.

Colour Coded Boost Function

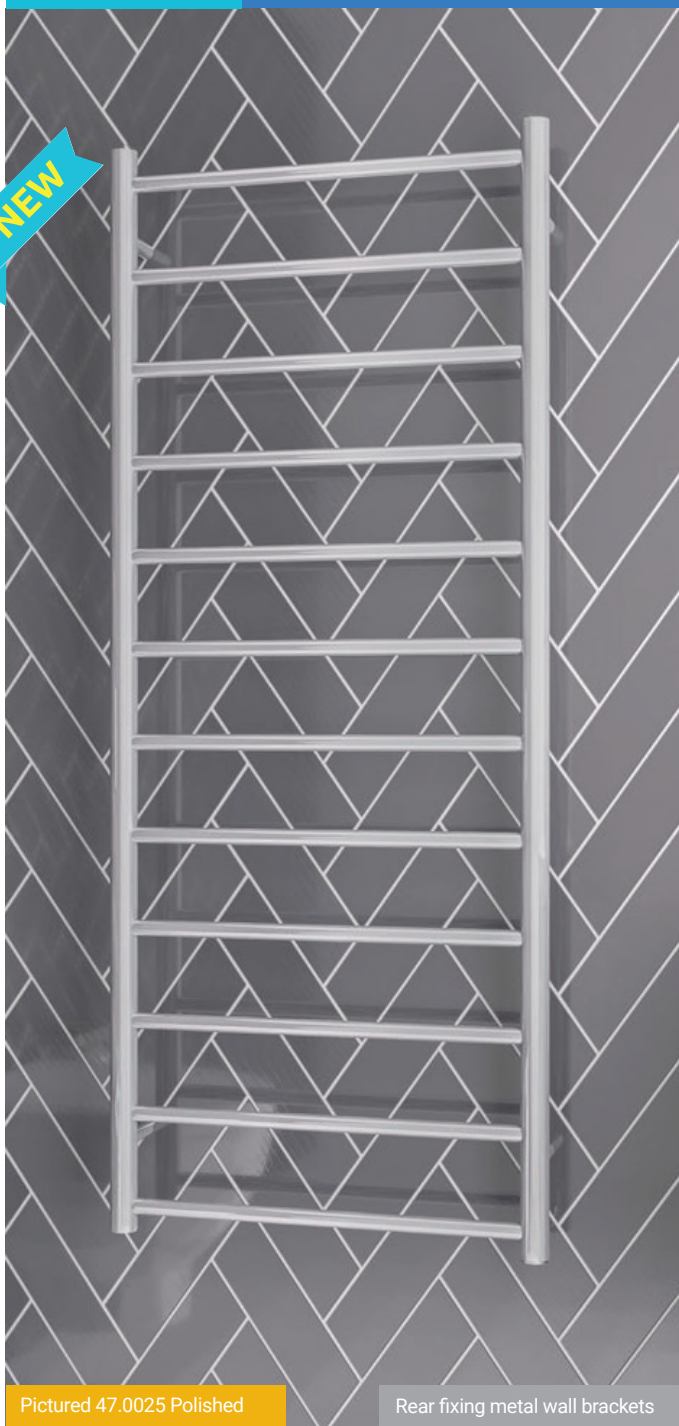
The Kennet Dry Element towel rail has a colour coded boost function which allows the length of time the rail runs for to be set. It can be on standby, 1 hour, 2 hours, 3 hours or continuously running.



Dry Element Range

New Product

EMSBURY DRY ELEMENT



Pictured 47.0025 Polished

Rear fixing metal wall brackets



Warranty
2
Year

All Electric

Pictured 47.0024 Polished

Emsbury Dry Element Towel Rail - Polished					
Size H x W	Watts	BTU	Code	£ Ex VAT	£ Inc VAT
800 x 500mm	150	512	47.0023	391.00	469.20
800 x 600mm	200	683	47.0024	421.00	505.20
1200 x 500mm	250	854	47.0025	448.00	537.60
1200 x 600mm	300	1024	47.0026	467.00	560.40

FEATURES

- No fluid filling required
- Comes with integrated On/Off button
- Just connect and Go
- Material of Towel Rail : Grade 304 Stainless Steel
- Rear fixing metal wall brackets
- IPX4 certificates (Zone 2 and 3)
- Only available as polished surface finishing
- 2 Year Manufacturer's Warranty*

Technical Tables & Drawings
Page 754-755



This product is electric only installation and cannot be used on a central heating system.

TECHNICAL INFORMATION

All measurements in Height by Width. Heat output based on ▲T60°C. Can not be fitted upside down. Projection from wall 92mm.



Integrated On/Off Button

Designer Range

LEONARDO Including new colour

Warranty

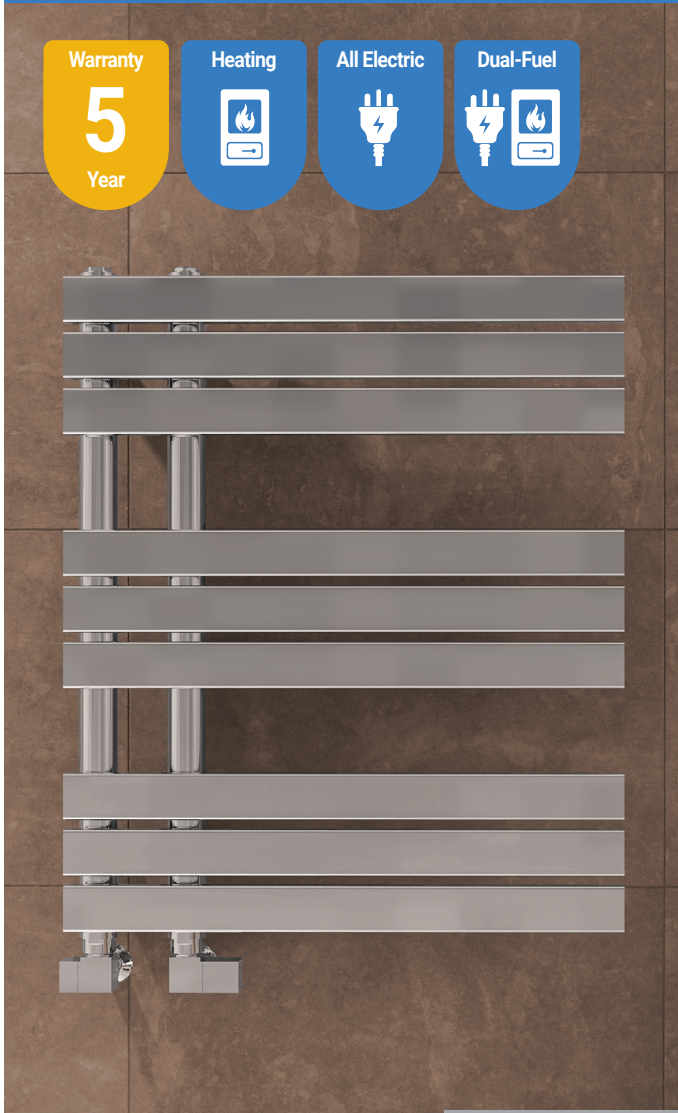
5

Year

Heating

All Electric

Dual-Fuel



Pictured 41.0261 Chrome Can be reverse handed (Left or Right)

The single sided pipes on this wonderfully stylish Leonardo rail allows maximum hanging space.

FEATURES

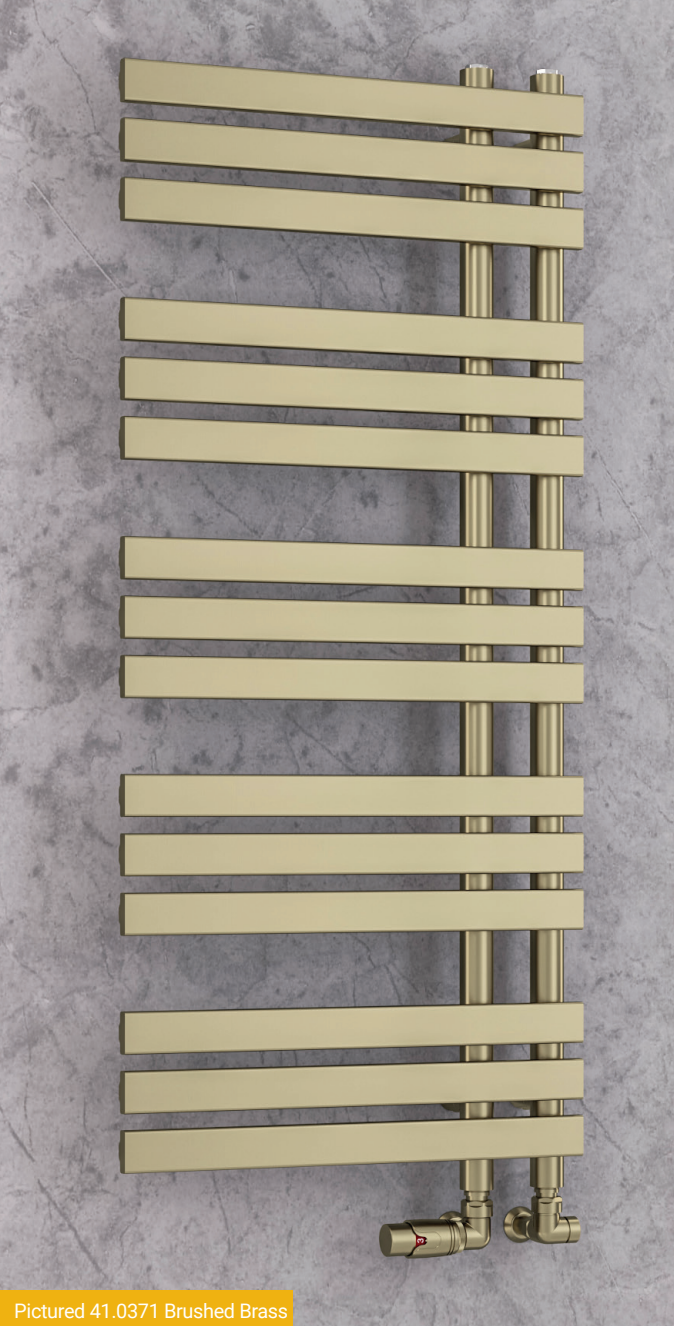
- 42 x 14mm. horizontal bars
- Tested to BS EN 442 standards
- 5 Year manufacturer's warranty*
- Can be reverse handed (left or right)
- Can be single or dual fuel, or all electric
- * With conditions

Technical Tables & Drawings
Page 756-757

Leonardo - Chrome							
Size H x W	Watts	BTU	Element Output	Element Type	Code	£ Ex VAT	£ Inc VAT
600 x 400mm	244	833	150W	A, A+, D, E, F, G	41.0255	272.00	326.40
600 x 500mm	288	983	150W	A, A+, D, E, F, G	41.0258	295.00	354.00
600 x 600mm	332	1133	150W	A, A+, D, E, F, G	41.0263	322.00	386.40
688 x 500mm	324	1105	150W	A, A+, D, E, F, G	41.0261	307.00	368.40
1200 x 400mm	465	1587	150W	A, A+, D, E, F, G	41.0256	458.00	549.60
1200 x 500mm	548	1870	300W	A, A+, D, E, F, G	41.0259	508.00	609.60
1200 x 600mm	631	2153	300W	A, A+, D, E, F, G	41.0264	552.00	662.40
1450 x 500mm	658	2245	300W	A, A+, D, E, F, G	41.0262	597.00	716.40
1800 x 400mm	665	2269	300W	A, A+, D, E, F, G	41.0257	638.00	765.60
1800 x 500mm	780	2661	450W	A, A+, D, E, F, G	41.0260	703.00	843.60
1800 x 600mm	896	3057	450W	A, A+, D, E, F, G	41.0265	768.00	921.60

Bar Dimensions (mm)

Horizontal Bars 42 x 14mm



Pictured 41.0371 Brushed Brass

Leonardo - Brushed Brass							New Colour	
Size H x W	Watts	BTU	Element Output	Element Type	Code	£ Ex VAT	£ Inc VAT	
1200 x 500mm*	548	1870	300W	A, A+, D, E, F, G	41.0371	679.00	814.80	
1200 x 600mm*	631	2153	300W	A, A+, D, E, F, G	41.0372	733.00	879.60	

* Available February 2023.

TECHNICAL INFORMATION

All measurements in Height by Width. Heat output based on $\Delta T60^{\circ}C$. Radiators that are electric only are restricted to the heat output of the elements. Element size can be increased to full capacity of rail if using element type D, E, F or G. For element types see pages 718-729. For matching valves see pages 731-737. For indirect heating systems only. Tappings are approx. 82mm and approx. 65mm off the wall. Price includes radiator and wall fixing sets, valves extra.

Brushed Brass colour shown in images are subject to the limitations of the printing process and may appear different.

Designer Range

Including new colour

STAVERTON - TUBE ON TUBE - STRAIGHT



Warranty
5
Year

Heating

All Electric

Dual-Fuel

Bar Dimensions (mm)

Pictured 41.0334 Chrome

Horizontal Bars 68 x 12mm



Rear fixing wall brackets

Pictured 41.0375 Brushed Brass

The Staveron Tube on Tube takes the design one step further with a higher output.

Staveron - Tube on Tube - Straight Gloss White							
Size H x W	Watts	BTU	Element Output	Element Type	Code	£ Ex VAT	£ Inc VAT
600 x 400mm	364	1242	150W	A, A+, D, E, F, G	41.0190	220.00	264.00
600 x 500mm	432	1474	150W	A, A+, D, E, F, G	41.0193	239.00	286.80
600 x 600mm	500	1706	300W	A, A+, D, E, F, G	41.0196	260.00	312.00
1200 x 400mm	651	2221	300W	A, A+, D, E, F, G	41.0191	354.00	424.80
1200 x 500mm	766	2614	450W	A, A+, D, E, F, G	41.0194	368.00	441.60
1200 x 600mm	883	3013	450W	A, A+, D, E, F, G	41.0197	404.00	484.80
1800 x 400mm	1014	3460	600W	A, A+, D, E, F, G	41.0192	509.00	610.80
1800 x 500mm	1198	4088	600W	A, A+, D, E, F, G	41.0195	535.00	642.00
1800 x 600mm	1382	4715	750W	A, A+, D, E, F, G	41.0198	590.00	708.00

Staveron - Tube on Tube - Straight Chrome							
Size H x W	Watts	BTU	Element Output	Element Type	Code	£ Ex VAT	£ Inc VAT
600 x 400mm	288	983	150W	A, A+, D, E, F, G	41.0181	381.00	457.20
600 x 500mm	340	1160	150W	A, A+, D, E, F, G	41.0184	416.00	499.20
600 x 600mm	394	1344	150W	A, A+, D, E, F, G	41.0187	453.00	543.60
600 x 1000mm	603	2057	300W	A, A+, D, E, F, G	41.0333	559.00	670.80
600 x 1200mm	710	2423	300W	A, A+, D, E, F, G	41.0334	578.00	693.60
800 x 1000mm	779	2658	450W	A, A+, D, E, F, G	41.0335	645.00	774.00
800 x 1200mm	916	3125	450W	A, A+, D, E, F, G	41.0336	729.00	874.80
1200 x 400mm	514	1754	300W	A, A+, D, E, F, G	41.0182	652.00	782.40
1200 x 500mm	606	2068	300W	A, A+, D, E, F, G	41.0185	686.00	823.20
1200 x 600mm	697	2378	300W	A, A+, D, E, F, G	41.0188	752.00	902.40
1800 x 400mm	802	2736	450W	A, A+, D, E, F, G	41.0183	912.00	1094.40
1800 x 500mm	946	3228	450W	A, A+, D, E, F, G	41.0186	961.00	1153.20
1800 x 600mm	1092	3726	600W	A, A+, D, E, F, G	41.0189	1122.00	1346.40

Staveron - Tube on Tube - Brushed Brass							New Colour
Size H x W	Watts	BTU	Element Output	Element Type	Code	£ Ex VAT	£ Inc VAT
1200 x 500mm*	606	2068	300W	A, A+, D, E, F, G	41.0375	850.00	1020.00
1200 x 600mm*	697	2378	300W	A, A+, D, E, F, G	41.0376	920.00	1104.00

* Available February 2023.

FEATURES

- 68 x 12mm. horizontal bars
- Rear fixing wall brackets
- Tested to BS EN 442 standards
- 5 Year manufacturer's warranty*
- Can be single or dual fuel, or all electric
- * With conditions

Technical Tables & Drawings
Page 758-759



TECHNICAL INFORMATION

All measurements in Height by Width. Heat output based on ▲T60°C. Radiators that are electric only are restricted to the heat output of the elements. Element size can be increased to full capacity of rail if using element type D, E, F or G. For element types see pages 718-729. For matching valves see pages 731-737. For indirect heating systems only. Tappings are approx. 50mm less than the width of the rail and approx. 65mm off the wall. Price includes radiator and wall fixing sets, valves extra.

Brushed Brass colour shown in images are subject to the limitations of the printing process and may appear different.

Designer Range

STAVERTON

Including new colour

Rear fixing metal wall brackets
(only for brushed brass colour)



Pictured 41.0373 Brushed Brass

Brushed Brass colour shown in images are subject to the limitations of the printing process and may appear different.

Warranty

5

Year

Heating

All Electric

Dual-Fuel



Pictured 41.0131 Chrome

Bar Dimensions (mm)

Horizontal Bars 42 x 14mm
Vertical Bars 40 x 30mm

A modern style towel rail with horizontal flat bars, that still allows maximum space for keeping your towels warm.

FEATURES

- 42 x 14mm. horizontal bars
- Tested to BS EN 442 standards
- 5 Year manufacturer's warranty*
- Comes in chrome, brushed brass or white finish
- Can be single or dual fuel, or all electric
- * With conditions

Technical Tables & Drawings

Page 760-761



Staverton - Brushed Brass

New Colour

Size H x W	Watts	BTU	Element Output	Element Type	Code	£ Ex VAT	£ Inc VAT
1200 x 500mm*	523	1784	300W	A, A+, D, E, F, G	41.0373	569.00	682.80
1200 x 600mm*	611	2085	300W	A, A+, D, E, F, G	41.0374	613.00	735.60

*Available February 2023

Staverton - Gloss White

Size H x W	Watts	BTU	Element Output	Element Type	Code	£ Ex VAT	£ Inc VAT
600 x 400mm	276	942	150W	A, A+, D, E, F, G	41.0136	119.00	142.80
600 x 500mm	332	1133	150W	A, A+, D, E, F, G	41.0139	129.00	154.80
600 x 600mm	388	1324	150W	A, A+, D, E, F, G	41.0142	139.00	166.80
1200 x 400mm	552	1883	300W	A, A+, D, E, F, G	41.0137	193.00	231.60
1200 x 500mm	665	2269	300W	A, A+, D, E, F, G	41.0140	206.00	247.20
1200 x 600mm	776	2648	450W	A, A+, D, E, F, G	41.0143	227.00	272.40
1800 x 400mm	829	2829	450W	A, A+, D, E, F, G	41.0138	266.00	319.20
1800 x 500mm	996	3398	600W	A, A+, D, E, F, G	41.0141	290.00	348.00
1800 x 600mm	1164	3972	600W	A, A+, D, E, F, G	41.0144	318.00	381.60

Staverton - Chrome

Size H x W	Watts	BTU	Element Output	Element Type	Code	£ Ex VAT	£ Inc VAT
600 x 400mm	217	740	100W	A, A+, D, E, F, G	41.0127	204.00	244.80
600 x 500mm	261	891	150W	A, A+, D, E, F, G	41.0130	236.00	283.20
600 x 600mm	305	1041	150W	A, A+, D, E, F, G	41.0133	245.00	294.00
1200 x 400mm	435	1484	150W	A, A+, D, E, F, G	41.0128	354.00	424.80
1200 x 500mm	523	1784	300W	A, A+, D, E, F, G	41.0131	392.00	470.40
1200 x 600mm	611	2085	300W	A, A+, D, E, F, G	41.0134	429.00	514.80
1800 x 400mm	652	2225	300W	A, A+, D, E, F, G	41.0129	503.00	603.60
1800 x 500mm	784	2675	450W	A, A+, D, E, F, G	41.0132	557.00	668.40
1800 x 600mm	916	3125	450W	A, A+, D, E, F, G	41.0135	618.00	741.60

TECHNICAL INFORMATION

All measurements in Height by Width. Heat output based on $\Delta T60^{\circ}C$. Radiators that are electric only are restricted to the heat output of the elements. Element size can be increased to full capacity of rail if using element type D, E, F or G. For element types see pages 718-729. For matching valves see pages 731-737. For indirect heating systems only. Tappings are approx. 45mm less than the width of the rail and approx. 70mm off the wall. Price includes radiator and wall fixing sets, valves extra.

Round Vent Caps

Page 741



Designer Range

MEZZO TONDO



Pictured 41.0248 Chrome

The curves on this rail allow maximum space for the whole family to warm towels easily, without compromising on space in the room due to the slimline design.

Mezzo Tondo - Chrome

Size H x W	Watts	BTU	Element Output	Element Type	Code	£ Ex VAT	£ Inc VAT
1600 x 320mm Chrome	574	1958	N/A	N/A	41.0248	458.00	549.60

FEATURES

- Tested to BS EN 442 standards
 - 5 Year manufacturer's warranty*
 - Can be single or dual fuel, or all electric
- * With conditions

TECHNICAL INFORMATION

All measurements in Height by Width. Heat output based on $\Delta T60^{\circ}\text{C}$. Radiators that are electric only are restricted to the heat output of the elements. Element size can be increased to full capacity of rail if using element type D or E. For element types see pages 718-729. For matching valves see pages 731-737. For indirect heating systems only. Tappings are approx. 286mm and approx. 65mm off the wall. Price includes radiator and wall fixing sets, valves extra.

PESARO



Pictured 41.0328 Chrome

A designer towel rail that allows the hanging of up to six towels at once. This statement piece has a unique design for those who want to make a bold statement.

Pesaro - Chrome

Size H x W	Watts	BTU	Element Output	Element Type	Code	£ Ex VAT	£ Inc VAT
1005 x 550mm	349	1191	150W	A, A+, D, E, F, G	41.0328	455.00	546.00

FEATURES

- Tested to BS EN 442 standards
 - 5 Year manufacturer's warranty*
 - Can be single or dual fuel, or all electric
- * With conditions

TECHNICAL INFORMATION

All measurements in Height by Width. Heat output based on $\Delta T60^{\circ}\text{C}$. Radiators that are electric only are restricted to the heat output of the elements. Element size can be increased to full capacity of rail if using element type D, E, F or G. For element types see pages 718-729. For matching valves see pages 731-737. For indirect heating systems only. Tappings are approx. 80mm and approx. 65mm off the wall. Price includes radiator and wall fixing sets, valves extra.

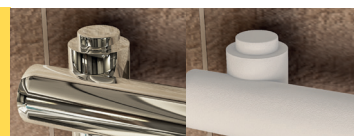
Round Vent Caps

Page 741



Round Vent Caps

Page 741



Warranty

5

Year

Heating

Technical Tables & Drawings

Page 760-761

Warranty

5

Year

Heating

All Electric

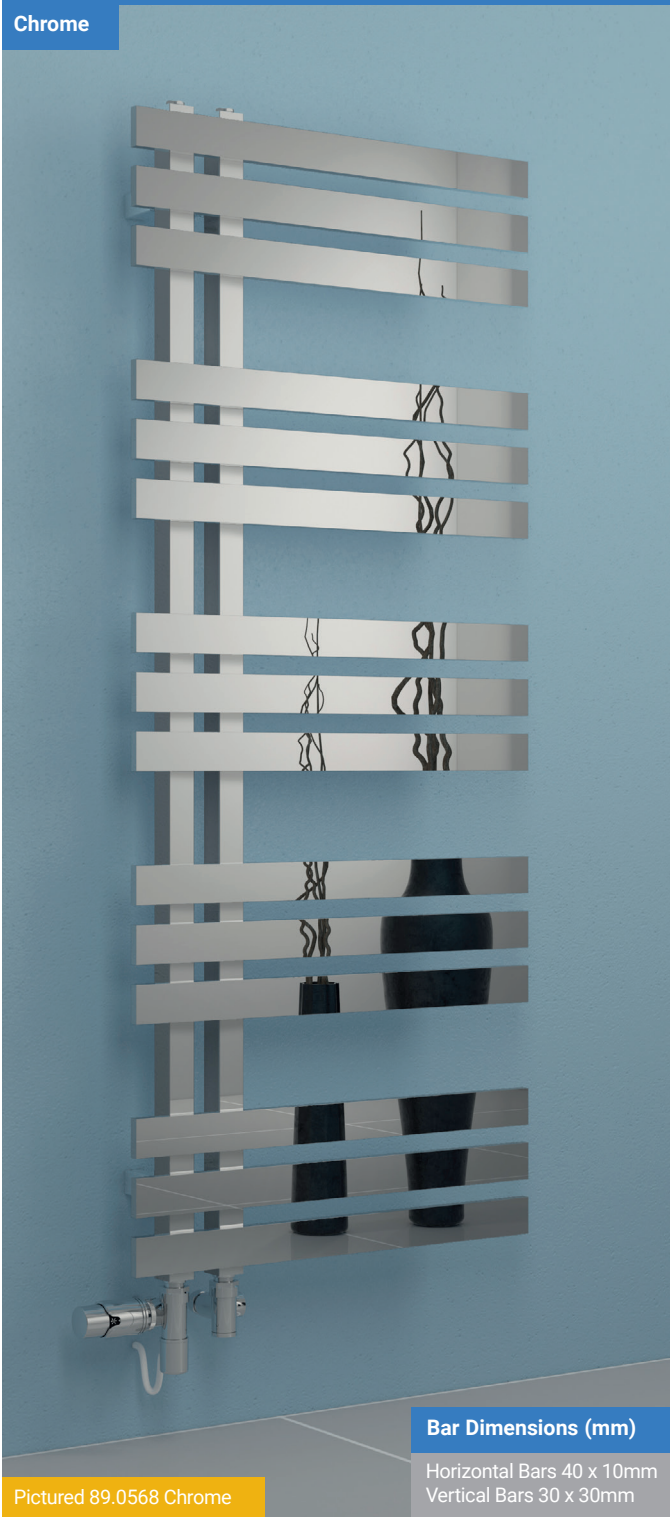
Dual-Fuel

Designer Range

Including new sizes & new colour

HURLEY

Chrome

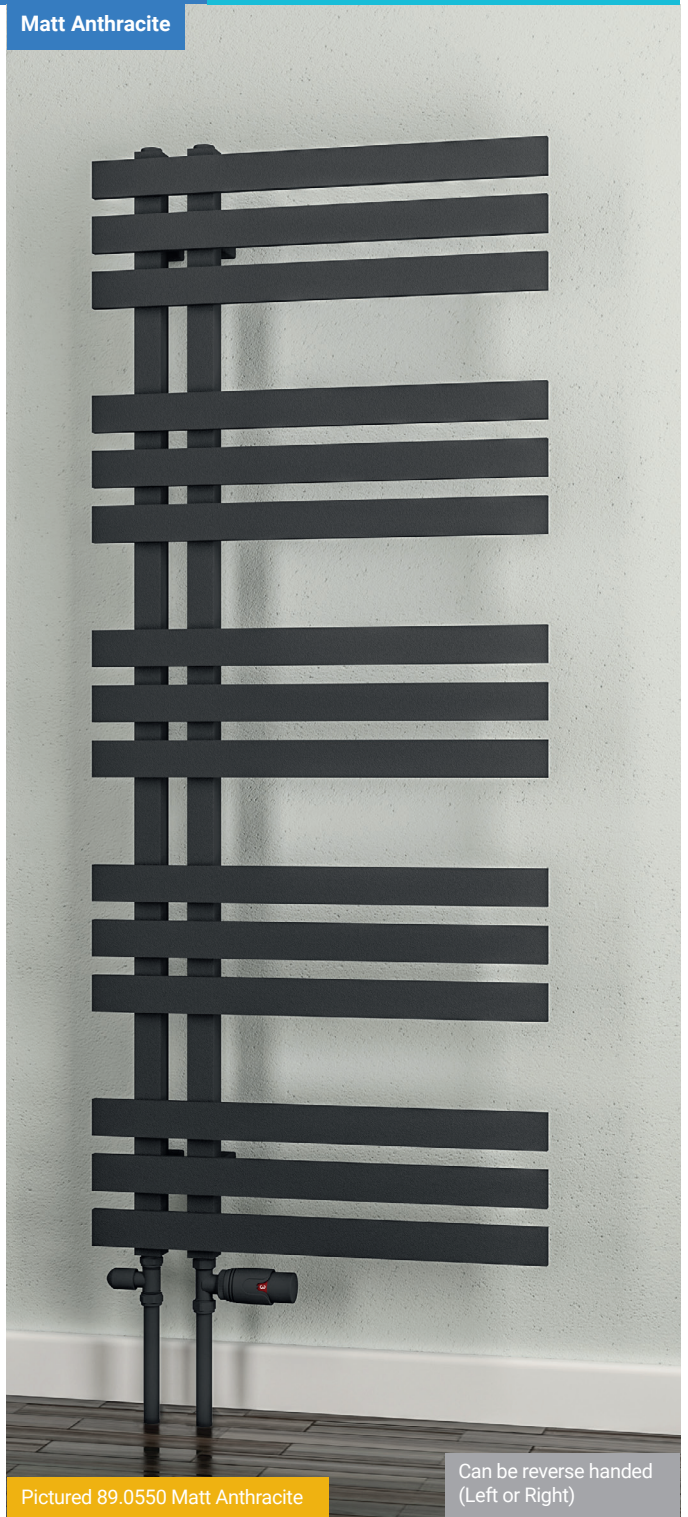


Bar Dimensions (mm)

Horizontal Bars 40 x 10mm
Vertical Bars 30 x 30mm

Pictured 89.0568 Chrome

Matt Anthracite



Pictured 89.0550 Matt Anthracite

Can be reverse handed
(Left or Right)

A modern, versatile towel rail. Available in 6 colours with reversible installation possibility.

FEATURES

- 40 x 10mm. horizontal bars and 30 x 30mm. vertical profiles
 - Rear fixing metal wall brackets
 - Tested to BS EN 442 standards
 - 6 colours available from stock
 - Can be reverse handed (left or right)
 - Can be single, dual fuel or all electric
 - 5 Year Manufacturer's Warranty*
- * With conditions



<p>Warranty</p> <p>5</p> <p>Year</p>	<p>Heating</p>
<p>All Electric</p>	<p>Dual-Fuel</p>

Designer Range

Including new sizes & new colour

HURLEY

Hurley Towel Rail - Matt White						New Sizes		
Size H x W	Watts	BTU	Element Output	Element Type	Code	£ Ex VAT	£ Inc VAT	
800 x 500mm	368	1256	150W	A, A+, D, E, F, G	89.0542	245.00	294.00	
800 x 600mm	414	1413	150W	A, A+, D, E, F, G	89.0543	277.00	332.40	
1000 x 500mm	460	1570	150W	A, A+, D, E, F, G	89.1717	300.00	360.00	
1000 x 600mm	517	1765	150W	A, A+, D, E, F, G	89.1718	336.00	403.20	
1200 x 500mm	551	1881	300W	A, A+, D, E, F, G	89.0544	339.00	406.80	
1200 x 600mm	619	2113	300W	A, A+, D, E, F, G	89.0545	379.00	454.80	
1500 x 500mm	684	2334	300W	A, A+, D, E, F, G	89.1729	393.00	471.60	
1500 x 600mm	768	2621	300W	A, A+, D, E, F, G	89.1730	439.00	526.80	
1800 x 500mm	813	2774	450W	A, A+, D, E, F, G	89.0546	431.00	517.20	
1800 x 600mm	913	3116	450W	A, A+, D, E, F, G	89.0547	482.00	578.40	

Hurley Towel Rail - Matt Anthracite						New Sizes		
Size H x W	Watts	BTU	Element Output	Element Type	Code	£ Ex VAT	£ Inc VAT	
800x500mm	368	1256	150W	A, A+, D, E, F, G	89.0548	245.00	294.00	
800x600mm	414	1413	150W	A, A+, D, E, F, G	89.0549	277.00	332.40	
1000 x 500mm	460	1570	150W	A, A+, D, E, F, G	89.1723	300.00	360.00	
1000 x 600mm	517	1765	150W	A, A+, D, E, F, G	89.1724	336.00	403.20	
1200x500mm	551	1881	300W	A, A+, D, E, F, G	89.0550	339.00	406.80	
1200x600mm	619	2113	300W	A, A+, D, E, F, G	89.0551	379.00	454.80	
1500 x 500mm	684	2334	300W	A, A+, D, E, F, G	89.1735	393.00	471.60	
1500 x 600mm	768	2621	300W	A, A+, D, E, F, G	89.1736	439.00	526.80	
1800x500mm	813	2774	450W	A, A+, D, E, F, G	89.0552	431.00	517.20	
1800x600mm	913	3116	450W	A, A+, D, E, F, G	89.0553	482.00	578.40	

Hurley Towel Rail - Matt Grey						New Sizes		
Size H x W	Watts	BTU	Element Output	Element Type	Code	£ Ex VAT	£ Inc VAT	
800 x 500mm	368	1256	150W	A, A+, D, E, F, G	89.0554	245.00	294.00	
800 x 600mm	414	1413	150W	A, A+, D, E, F, G	89.0555	277.00	332.40	
1000 x 500mm	460	1570	150W	A, A+, D, E, F, G	89.1719	300.00	360.00	
1000 x 600mm	517	1765	150W	A, A+, D, E, F, G	89.1720	336.00	403.20	
1200 x 500mm	551	1881	300W	A, A+, D, E, F, G	89.0556	339.00	406.80	
1200 x 600mm	619	2113	300W	A, A+, D, E, F, G	89.0557	379.00	454.80	
1500 x 500mm	684	2334	300W	A, A+, D, E, F, G	89.1731	393.00	471.60	
1500 x 600mm	768	2621	300W	A, A+, D, E, F, G	89.1732	439.00	526.80	
1800 x 500mm	813	2774	450W	A, A+, D, E, F, G	89.0558	431.00	517.20	
1800 x 600mm	913	3116	450W	A, A+, D, E, F, G	89.0559	482.00	578.40	

Hurley Towel Rail - Matt Cappuccino						New Sizes		
Size H x W	Watts	BTU	Element Output	Element Type	Code	£ Ex VAT	£ Inc VAT	
800x500mm	368	1256	150W	A, A+, D, E, F, G	89.0560	270.00	324.00	
800x600mm	414	1413	150W	A, A+, D, E, F, G	89.0561	301.00	361.20	
1000 x 500mm	460	1570	150W	A, A+, D, E, F, G	89.1721	300.00	360.00	
1000 x 600mm	517	1765	150W	A, A+, D, E, F, G	89.1722	336.00	403.20	
1200x500mm	551	1881	300W	A, A+, D, E, F, G	89.0562	370.00	444.00	
1200x600mm	619	2113	300W	A, A+, D, E, F, G	89.0563	415.00	498.00	
1500 x 500mm	684	2334	300W	A, A+, D, E, F, G	89.1733	393.00	471.60	
1500 x 600mm	768	2621	300W	A, A+, D, E, F, G	89.1734	439.00	526.80	
1800x500mm	813	2774	450W	A, A+, D, E, F, G	89.0564	472.00	566.40	
1800x600mm	913	3116	450W	A, A+, D, E, F, G	89.0565	528.00	633.60	

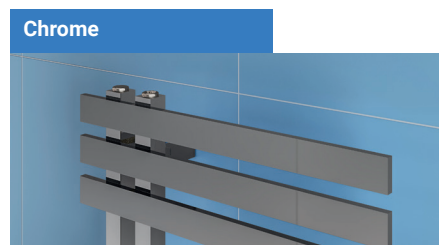
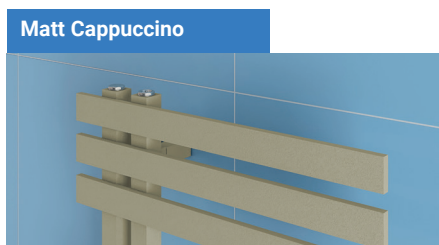
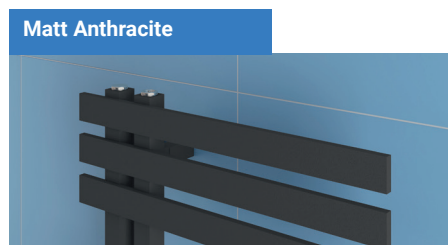
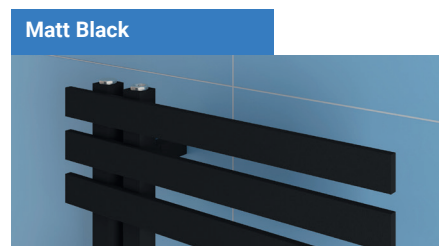
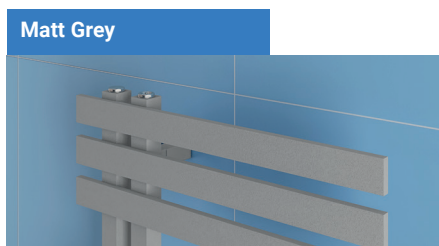
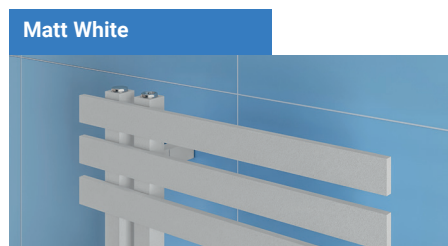
Hurley Towel Rail - Matt Black						New Colour		
Size H x W	Watts	BTU	Element Output	Element Type	Code	£ Ex VAT	£ Inc VAT	
800 x 500mm	368	1256	150W	A, A+, D, E, F, G	89.1711	245.00	294.00	
800 x 600mm	414	1413	150W	A, A+, D, E, F, G	89.1712	277.00	332.40	
1000 x 500mm	460	1570	150W	A, A+, D, E, F, G	89.1725	300.00	360.00	
1000 x 600mm	517	1765	150W	A, A+, D, E, F, G	89.1726	336.00	403.20	
1200 x 500mm	551	1881	300W	A, A+, D, E, F, G	89.1713	339.00	406.80	
1200 x 600mm	619	2113	300W	A, A+, D, E, F, G	89.1714	379.00	454.80	
1500 x 500mm	684	2334	300W	A, A+, D, E, F, G	89.1737	393.00	471.60	
1500 x 600mm	768	2621	300W	A, A+, D, E, F, G	89.1738	439.00	526.80	
1800 x 500mm	813	2774	450W	A, A+, D, E, F, G	89.1715	431.00	517.20	
1800 x 600mm	913	3116	450W	A, A+, D, E, F, G	89.1716	482.00	578.40	

Hurley Towel Rail - Chrome						New Sizes		
Size H x W	Watts	BTU	Element Output	Element Type	Code	£ Ex VAT	£ Inc VAT	
800 x 500mm	239	816	150W	A, A+, D, E, F, G	89.0566	311.00	373.20	
800 x 600mm	268	915	150W	A, A+, D, E, F, G	89.0567	349.00	418.80	
1000 x 500mm	298	1017	100W	A, A+, D, E, F, G	89.1727	376.00	451.20	
1000 x 600mm	334	1140	100W	A, A+, D, E, F, G	89.1728	421.00	505.20	
1200 x 500mm	356	1215	150W	A, A+, D, E, F, G	89.0568	431.00	517.20	
1200 x 600mm	399	1362	150W	A, A+, D, E, F, G	89.0569	482.00	578.40	
1500 x 500mm	441	1505	150W	A, A+, D, E, F, G	89.1739	521.00	625.20	
1500 x 600mm	494	1686	150W	A, A+, D, E, F, G	89.1740	582.00	698.40	
1800 x 500mm	522	1782	300W	A, A+, D, E, F, G	89.0570	596.00	715.20	
1800 x 600mm	585	1997	300W	A, A+, D, E, F, G	89.0571	665.00	798.00	

TECHNICAL INFORMATION

All measurements in Height by Width. Heat output based on $\Delta T60^{\circ}C$. Radiators that are electric only are restricted to the heat output of the elements. Element size can be increased to full capacity of rail if using element type D, E, F or G. For element types see pages 718-729. For matching valves see pages 731-737. For indirect heating systems only. Tappings are approx. 60mm and approx. 79mm off the wall. Price includes radiator and wall fixing sets, valves extra.

Technical Tables & Drawings
Page 762-763



Designer Range

LAMBOURNE

New Product

Warranty

5
Year

Heating



All Electric



Dual-Fuel



NEW



Pictured 89.1701 Chrome (side connection valves)

Side or Bottom connections

Rear fixing metal wall brackets

A masterpiece for your bathroom or any other room. The vertical bars at the ends can be used as towel / bathrobe hangers, middle section at the top can be used to dry your towels too. This exceptional design is available in 2 heights and 2 widths with 4 colour options.

FEATURES

- 42mm diameter horizontal bars
 - 42mm diameter vertical profiles
 - Rear fixing metal wall brackets
 - Tested to BS EN 442 standards
 - State-of-the-Art welding technology
 - Can have either side or bottom connections
 - 4 colours available from stock
 - 5 Year Manufacturer's Warranty*
- *With conditions

Technical Tables
& Drawings
Page 764-765



TECHNICAL INFORMATION

All measurements in Height by Width. Heat output based on $\Delta T60^{\circ}\text{C}$. Radiators that are electric only are restricted to the heat output of the elements. Element size can be increased to full capacity of rail if using element type D, E, F or G. For element types see pages 718-729. For matching valves see pages 731-737. For indirect heating systems only. **For side connection**, tappings are the width of the rail and approx. 85mm off the wall. **For bottom connection**, tappings are approx. 180mm less than the width of the rail and approx. 106mm off the wall. Projection from wall 127mm. Price includes radiator and wall fixing sets, valves extra.

Designer Range

LAMBOURNE

New Product

Lambourne Designer Radiator - Matt White

Size H x W	Watts	BTU	Element Output	Element Type	Code	£ Ex VAT	£ Inc VAT
1200 x 420mm	649	2215	150W	A, A+, D, E, F, G	89.1703	305.00	366.00
1200 x 540mm	837	2856	300W	A, A+, D, E, F, G	89.1704	381.00	457.20
1800 x 420mm	888	3030	300W	A, A+, D, E, F, G	89.1695	380.00	456.00
1800 x 540mm	1146	3911	450W	A, A+, D, E, F, G	89.1696	475.00	570.00

Lambourne Designer Radiator - Matt Anthracite

Size H x W	Watts	BTU	Element Output	Element Type	Code	£ Ex VAT	£ Inc VAT
1200 x 420mm	649	2215	150W	A, A+, D, E, F, G	89.1705	305.00	366.00
1200 x 540mm	837	2856	300W	A, A+, D, E, F, G	89.1706	381.00	457.20
1800 x 420mm	888	3030	300W	A, A+, D, E, F, G	89.1697	380.00	456.00
1800 x 540mm	1146	3911	450W	A, A+, D, E, F, G	89.1698	475.00	570.00

Lambourne Designer Radiator - Matt Black

Size H x W	Watts	BTU	Element Output	Element Type	Code	£ Ex VAT	£ Inc VAT
1200 x 420mm	649	2215	150W	A, A+, D, E, F, G	89.1707	305.00	366.00
1200 x 540mm	837	2856	300W	A, A+, D, E, F, G	89.1708	381.00	457.20
1800 x 420mm	888	3030	300W	A, A+, D, E, F, G	89.1699	380.00	456.00
1800 x 540mm	1146	3911	450W	A, A+, D, E, F, G	89.1700	475.00	570.00

Lambourne Designer Radiator - Chrome

Size H x W	Watts	BTU	Element Output	Element Type	Code	£ Ex VAT	£ Inc VAT
1200 x 420mm	426	1454	150W	A, A+, D, E, F, G	89.1709	406.00	487.20
1200 x 540mm	549	1874	150W	A, A+, D, E, F, G	89.1710	506.00	607.20
1800 x 420mm	652	2225	150W	A, A+, D, E, F, G	89.1701	506.00	607.20
1800 x 540mm	842	2873	300W	A, A+, D, E, F, G	89.1702	633.00	759.60

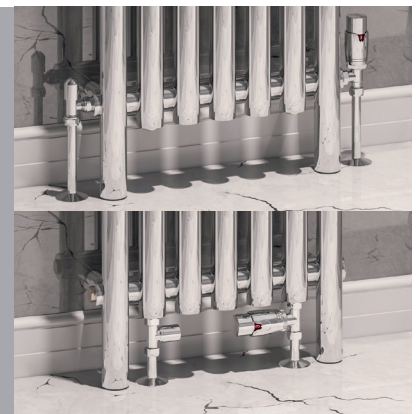


Pictured 89.1706 Matt Anthracite (bottom connection valves shown)



Side Connection shown: For dual fuel installation element can only be fitted vertically from the bottom inside left or right hand profile. (T piece not required)

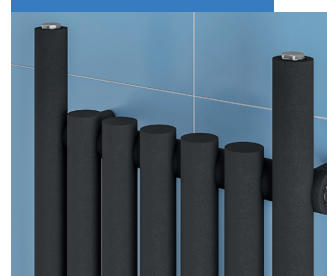
Bottom Connection shown: Valves can also be fitted from the bottom inlets. For electric only installation element can be fitted to the left or right hand side.



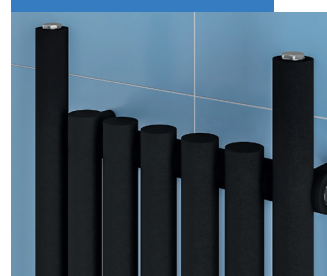
Matt White



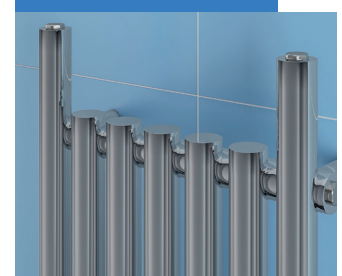
Matt Anthracite



Matt Black



Chrome



Designer Range

TUNSTALL VERTICAL

Including new sizes



Bar Dimensions (mm)

Vertical Bars 50 x 25mm

Pictured 89.0008 Chrome & 101.0035 Towel

Warranty

5

Year

Heating



Create a fresh new look with this elegant designer radiator which will suit any room in the house. Available in four colour finishes.

FEATURES

- 50 x 25mm vertical bars
- Comes with pre-fitted flow diverter
- Tested to BS EN 442 standards
- 5 Year manufacturer's warranty*
- Not suitable for elements
- * With conditions

**Technical Tables
& Drawings**
Page 770-771



Round Vent Caps

Page 741



Robe Hooks

Page 738



Designer Range

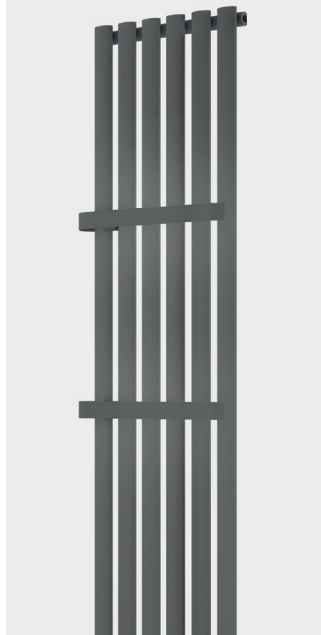
Including new sizes

TUNSTALL VERTICAL

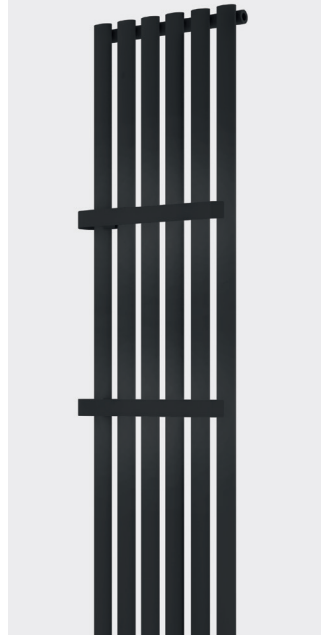
Matt White



Matt Anthracite



Matt Black



Chrome



Tunstall Vertical Radiators - Matt White					New Sizes		
Size H x W	Watts	BTU	Element Output	Element Type	Code	£ Ex VAT	£ Inc VAT
1800 x 280mm	583	1990	N/A	N/A	89.0001	159.00	190.80
1800 x 350mm	750	2559	N/A	N/A	89.1620	189.00	226.80
1800 x 420mm	926	3160	N/A	N/A	89.0005	218.00	261.60
1800 x 490mm	1099	3750	N/A	N/A	89.1624	264.00	316.80
1800 x 560mm	1280	4368	N/A	N/A	89.1628	307.00	368.40
1800 x 630mm	1471	5020	N/A	N/A	89.0009	341.00	409.20

Tunstall Vertical Radiators - Matt Black					New Sizes		
Size H x W	Watts	BTU	Element Output	Element Type	Code	£ Ex VAT	£ Inc VAT
1800 x 280mm	583	1990	N/A	N/A	89.0003	159.00	190.80
1800 x 350mm	750	2559	N/A	N/A	89.1622	189.00	226.80
1800 x 420mm	926	3160	N/A	N/A	89.0007	218.00	261.60
1800 x 490mm	1099	3750	N/A	N/A	89.1626	264.00	316.80
1800 x 560mm	1280	4368	N/A	N/A	89.1630	307.00	368.40
1800 x 630mm	1471	5020	N/A	N/A	89.0011	341.00	409.20

Tunstall Vertical Radiators - Matt Anthracite					New Sizes		
Size H x W	Watts	BTU	Element Output	Element Type	Code	£ Ex VAT	£ Inc VAT
1800 x 280mm	583	1990	N/A	N/A	89.0002	159.00	190.80
1800 x 350mm	750	2559	N/A	N/A	89.1621	189.00	226.80
1800 x 420mm	926	3160	N/A	N/A	89.0006	218.00	261.60
1800 x 490mm	1099	3750	N/A	N/A	89.1625	264.00	316.80
1800 x 560mm	1280	4368	N/A	N/A	89.1629	307.00	368.40
1800 x 630mm	1471	5020	N/A	N/A	89.0010	341.00	409.20

Tunstall Vertical Radiators - Chrome					New Sizes		
Size H x W	Watts	BTU	Element Output	Element Type	Code	£ Ex VAT	£ Inc VAT
1800 x 280mm	320	1092	N/A	N/A	89.0004	368.00	441.60
1800 x 350mm	423	1444	N/A	N/A	89.1623	398.00	477.60
1800 x 420mm	533	1819	N/A	N/A	89.0008	426.00	511.20
1800 x 490mm	644	2198	N/A	N/A	89.1627	473.00	567.60
1800 x 560mm	760	2594	N/A	N/A	89.1631	521.00	625.20
1800 x 630mm	890	3037	N/A	N/A	89.0012	563.00	675.60

TECHNICAL INFORMATION

All measurements in Height by Width. Heat output based on $\Delta T60^{\circ}\text{C}$. For matching valves see pages 731-737. For indirect heating systems only. Tappings are the width of the rail and approx. 52mm off the wall. Price includes radiator and wall fixing sets, valves extra.

Vertical Tunstall Towel Hangers New Sizes



Towel Hanger - Matt White			
Size	Code	£ Ex VAT	£ Inc VAT
280mm	101.0028	57.00	68.40
350mm	89.1741	61.00	73.20
420mm	101.0032	69.00	82.80
490mm	89.1742	73.00	87.60
560mm	89.1743	76.00	91.20
630mm	101.0036	80.00	96.00



Towel Hanger - Matt Anthracite			
Size	Code	£ Ex VAT	£ Inc VAT
280mm	101.0029	57.00	68.40
350mm	89.1744	61.00	73.20
420mm	101.0033	69.00	82.80
490mm	89.1745	73.00	87.60
560mm	89.1746	76.00	91.20
630mm	101.0037	80.00	96.00



Towel Hanger - Matt Black			
Size	Code	£ Ex VAT	£ Inc VAT
280mm	101.0030	57.00	68.40
350mm	89.1747	61.00	73.20
420mm	101.0034	69.00	82.80
490mm	89.1748	73.00	87.60
560mm	89.1749	76.00	91.20
630mm	101.0038	80.00	96.00



Towel Hanger - Chrome			
Size	Code	£ Ex VAT	£ Inc VAT
280mm	101.0031	61.00	73.20
350mm	89.1750	68.00	81.60
420mm	101.0035	75.00	90.00
490mm	89.1751	80.00	96.00
560mm	89.1752	82.00	98.40
630mm	101.0039	85.00	102.00

The Vertical Tunstall Towel Hangers can be fitted on both sides of the radiator (as left hand or right hand). Remember, these towel hangers must be fitted before installing on the wall. **Must be fitted before installation!**

Designer Range

TUNSTALL HORIZONTAL

Including new sizes



Pictured 89.0020 Matt Anthracite

Bar Dimensions (mm)

Vertical Bars 50 x 25mm

The elliptical shape of these tubes will provide a stylish focus to any room. Available in three colours.

FEATURES

- 50 x 25mm vertical bars
- Comes with pre-fitted flow diverter
- Tested to BS EN 442 standards
- 5 Year manufacturer's warranty*
- Not suitable for elements
- * With conditions

Technical Tables & Drawings
Page 770-771



TECHNICAL INFORMATION

All measurements in Height by Width. Heat output based on $\Delta T60^{\circ}C$. For matching valves see pages 731-737. For indirect heating systems only. Tappings are the width of the rail and approx. 52mm off the wall. Price includes radiator and wall fixing sets, valves extra.

Tunstall Horizontal Radiators - Matt White						New Sizes	
Size H x W	Watts	BTU	Element Output	Element Type	Code	£ Ex VAT	£ Inc VAT
600 x 471mm	399	1362	N/A	N/A	89.1632	130.00	156.00
600 x 589mm	509	1737	N/A	N/A	89.0013	145.00	174.00
600 x 648mm	565	1928	N/A	N/A	89.1635	159.00	190.80
600 x 825mm	742	2532	N/A	N/A	89.0016	197.00	236.40
600 x 1002mm	928	3167	N/A	N/A	89.0019	240.00	288.00
600 x 1061mm	1003	3423	N/A	N/A	89.1638	258.00	309.60
600 x 1179mm	1123	3832	N/A	N/A	89.0022	281.00	337.20

Tunstall Horizontal Radiators - Matt Anthracite						New Sizes	
Size H x W	Watts	BTU	Element Output	Element Type	Code	£ Ex VAT	£ Inc VAT
600 x 471mm	399	1362	N/A	N/A	89.1633	130.00	156.00
600 x 589mm	509	1737	N/A	N/A	89.0014	145.00	174.00
600 x 648mm	565	1928	N/A	N/A	89.1636	159.00	190.80
600 x 825mm	742	2532	N/A	N/A	89.0017	197.00	236.40
600 x 1002mm	928	3167	N/A	N/A	89.0020	240.00	288.00
600 x 1061mm	1003	3423	N/A	N/A	89.1639	258.00	309.60
600 x 1179mm	1123	3832	N/A	N/A	89.0023	281.00	337.20

Tunstall Horizontal Radiators - Matt Black						New Sizes	
Size H x W	Watts	BTU	Element Output	Element Type	Code	£ Ex VAT	£ Inc VAT
600 x 471mm	399	1362	N/A	N/A	89.1634	130.00	156.00
600 x 589mm	509	1737	N/A	N/A	89.0015	145.00	174.00
600 x 648mm	565	1928	N/A	N/A	89.1637	159.00	190.80
600 x 825mm	742	2532	N/A	N/A	89.0018	197.00	236.40
600 x 1002mm	928	3167	N/A	N/A	89.0021	240.00	288.00
600 x 1061mm	1003	3423	N/A	N/A	89.1640	258.00	309.60
600 x 1179mm	1123	3832	N/A	N/A	89.0024	281.00	337.20



Round Vent Caps
Page 741



Horizontal Tunstall Towel Hangers

Towel Hanger - Matt White			
Size	Code	£ Ex VAT	£ Inc VAT
330mm	101.0040	66.00	79.20
589mm	101.0044	80.00	96.00

Towel Hanger - Matt Anthracite			
Size	Code	£ Ex VAT	£ Inc VAT
330mm	101.0041	66.00	79.20
589mm	101.0045	80.00	96.00

Towel Hanger - Matt Black			
Size	Code	£ Ex VAT	£ Inc VAT
330mm	101.0042	66.00	79.20
589mm	101.0046	80.00	96.00

Towel Hanger - Chrome			
Size	Code	£ Ex VAT	£ Inc VAT
330mm	101.0043	66.00	79.20
589mm	101.0047	85.00	102.00

The Horizontal Tunstall Towel Hangers can be fitted on both sides of the radiator (as left hand or right hand). Remember, these towel hangers must be fitted before installing on the wall. **Must be fitted before installation!**

Designer Range

Tunstall Towel Rails - Matt White

Size H x W	Watts	BTU	Element Output	Element Type	Code	£ Ex VAT	£ Inc VAT
560 x 1000mm	690	2355	300W	A, A+, D, E, F, G	89.0025	244.00	292.80
800 x 500mm	454	1550	150W	A, A+, D, E, F, G	89.0029	169.00	202.80
800 x 600mm	524	1788	300W	A, A+, D, E, F, G	89.0041	185.00	222.00
1200 x 500mm	663	2263	300W	A, A+, D, E, F, G	89.0033	255.00	306.00
1200 x 600mm	766	2614	450W	A, A+, D, E, F, G	89.0045	281.00	337.20
1600 x 500mm	879	3000	450W	A, A+, D, E, F, G	89.0037	314.00	376.80
1600 x 600mm	1015	3464	600W	A, A+, D, E, F, G	89.0049	355.00	426.00

Tunstall Towel Rails - Matt Anthracite

Size H x W	Watts	BTU	Element Output	Element Type	Code	£ Ex VAT	£ Inc VAT
560 x 1000mm	690	2355	300W	A, A+, D, E, F, G	89.0026	244.00	292.80
800 x 500mm	454	1550	150W	A, A+, D, E, F, G	89.0030	169.00	202.80
800 x 600mm	524	1788	300W	A, A+, D, E, F, G	89.0042	185.00	222.00
1200 x 500mm	663	2263	300W	A, A+, D, E, F, G	89.0034	255.00	306.00
1200 x 600mm	766	2614	450W	A, A+, D, E, F, G	89.0046	281.00	337.20
1600 x 500mm	879	3000	450W	A, A+, D, E, F, G	89.0038	314.00	376.80
1600 x 600mm	1015	3464	600W	A, A+, D, E, F, G	89.0050	355.00	426.00

Tunstall Towel Rails - Matt Black

Size H x W	Watts	BTU	Element Output	Element Type	Code	£ Ex VAT	£ Inc VAT
560 x 1000mm	690	2355	300W	A, A+, D, E, F, G	89.0027	244.00	292.80
800 x 500mm	454	1550	150W	A, A+, D, E, F, G	89.0031	169.00	202.80
800 x 600mm	524	1788	300W	A, A+, D, E, F, G	89.0043	185.00	222.00
1200 x 500mm	663	2263	300W	A, A+, D, E, F, G	89.0035	255.00	306.00
1200 x 600mm	766	2614	450W	A, A+, D, E, F, G	89.0047	281.00	337.20
1600 x 500mm	879	3000	450W	A, A+, D, E, F, G	89.0039	314.00	376.80
1600 x 600mm	1015	3464	600W	A, A+, D, E, F, G	89.0051	355.00	426.00

Tunstall Towel Rails - Chrome

Size H x W	Watts	BTU	Element Output	Element Type	Code	£ Ex VAT	£ Inc VAT
560 x 1000mm	431	1471	150W	A, A+, D, E, F, G	89.0028	358.00	429.60
800 x 500mm	284	970	150W	A, A+, D, E, F, G	89.0032	307.00	368.40
800 x 600mm	326	1113	150W	A, A+, D, E, F, G	89.0044	339.00	406.80
1200 x 500mm	431	1471	150W	A, A+, D, E, F, G	89.0036	367.00	440.40
1200 x 600mm	493	1683	300W	A, A+, D, E, F, G	89.0048	402.00	482.40
1600 x 500mm	579	1976	300W	A, A+, D, E, F, G	89.0040	462.00	554.40
1600 x 600mm	661	2256	300W	A, A+, D, E, F, G	89.0052	508.00	609.60

TECHNICAL INFORMATION

All measurements in Height by Width. Heat output based on $\Delta T60^{\circ}\text{C}$. Radiators that are electric only are restricted to the heat output of the elements. Element size can be increased to full capacity of rail if using element type D, E, F or G. For element types see pages 718-729. For matching valves see pages 731-737. For indirect heating systems only. Tappings are approx. 46mm less than the width of the rail and approx. 83mm off the wall. Price includes radiator and wall fixing sets, valves extra.

Robe Hooks
Page 738

Round Vent Caps
Page 741

Warranty
5
Year

Heating

All Electric

Dual-Fuel

Pictured 89.0025
Matt White

560x1000mm size is the only horizontal Tunstall Towel Rail

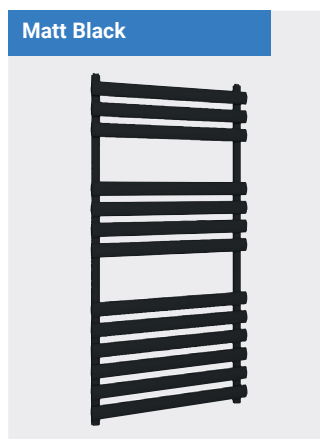
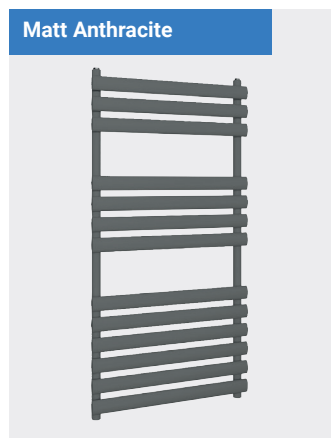
TUNSTALL TOWEL RAILS

Pictured 89.0048 Chrome

Horizontal Bars 50 x 25mm

- FEATURES**
- 50 x 25mm horizontal bars
 - Tested to BS EN 442 standards
 - 5 Year manufacturer's warranty*
 - Stunning chrome finish option available
 - * With conditions

Technical Tables & Drawings
Page 770-771



Designer Range

TUNSTALL DOUBLE VERTICAL

Including new sizes & new colour



Pictured 81.0142 Matt White

Bar Dimensions (mm)

Vertical Bars 50 x 25mm



Pictured 81.0159 Matt Anthracite

With its double vertical profile construction, Tunstall Double will create a fresh new look for any room in the house. Available in two colour finishes.

FEATURES

- 50 x 25mm vertical bars
- Double vertical profile construction
- Tested to BS EN 442 standards
- 5 Year manufacturer's warranty*
- Not suitable for elements
- * With conditions

Technical Tables & Drawings

Page 770-771



TECHNICAL INFORMATION

All measurements in Height by Width. Heat output based on $\Delta T60^{\circ}\text{C}$. For matching valves see pages 731-737. For indirect heating systems only. Tappings are the width of the rail and approx. 65mm off the wall. Projection from wall 104mm. Price includes radiator and wall fixing sets, valves extra.



Double profile construction

Warranty

5

Year

Heating

Round Vent Caps

Page 741

Tunstall Double Vertical Radiators - Matt White							New Sizes	
Size H x W	Watts	BTU	Element Output	Element Type	Code	£ Ex VAT	£ Inc VAT	
1800 x 280mm	952	3249	N/A	N/A	81.0140	235.00	282.00	
1800 x 350mm	1190	4058	N/A	N/A	81.0190	296.00	355.20	
1800 x 420mm	1429	4877	N/A	N/A	81.0141	350.00	420.00	
1800 x 490mm	1666	5681	N/A	N/A	81.0193	396.00	475.20	
1800 x 560mm	1904	6493	N/A	N/A	81.0196	461.00	553.20	
1800 x 630mm	2142	7311	N/A	N/A	81.0142	525.00	630.00	

Tunstall Double Vertical Radiators - Matt Anthracite							New Sizes	
Size H x W	Watts	BTU	Element Output	Element Type	Code	£ Ex VAT	£ Inc VAT	
1800 x 280mm	952	3249	N/A	N/A	81.0158	239.00	286.80	
1800 x 350mm	1190	4058	N/A	N/A	81.0191	304.00	364.80	
1800 x 420mm	1429	4877	N/A	N/A	81.0159	359.00	430.80	
1800 x 490mm	1666	5681	N/A	N/A	81.0194	404.00	484.80	
1800 x 560mm	1904	6493	N/A	N/A	81.0197	470.00	564.00	
1800 x 630mm	2142	7311	N/A	N/A	81.0160	536.00	643.20	

Tunstall Double Vertical Radiators - Matt Black							New Colour	
Size H x W	Watts	BTU	Element Output	Element Type	Code	£ Ex VAT	£ Inc VAT	
1800 x 280mm	952	3249	N/A	N/A	81.0172	239.00	286.80	
1800 x 350mm	1190	4058	N/A	N/A	81.0192	304.00	364.80	
1800 x 420mm	1429	4877	N/A	N/A	81.0173	359.00	430.80	
1800 x 490mm	1666	5681	N/A	N/A	81.0195	404.00	484.80	
1800 x 560mm	1904	6493	N/A	N/A	81.0198	470.00	564.00	
1800 x 630mm	2142	7311	N/A	N/A	81.0174	536.00	643.20	

Designer Range

Including new sizes & new colour

Bar Dimensions (mm)

Vertical Bars 50 x 25mm



Pictured 81.0137 Matt White



Pictured 81.0156 Matt Anthracite



Pictured 81.0175 Matt Black

TUNSTALL DOUBLE HORIZONTAL

With its double vertical profile construction, Tunstall Double will provide a stylish focus to any room in the house. Available in two colour finishes.

FEATURES

- 50 x 25mm vertical bars
- Double vertical profile construction
- Tested to BS EN 442 standards
- 5 Year manufacturer's warranty*
- Not suitable for elements
- * With conditions

Technical Tables & Drawings
Page 772-773



TECHNICAL INFORMATION

All measurements in Height by Width. Heat output based on $\Delta T60^{\circ}C$. For matching valves see pages 731-737. For indirect heating systems only. Tappings are the width of the rail and approx. 65mm off the wall. Projection from wall 104mm. Price includes radiator and wall fixing sets, valves extra.

Tunstall Double Horizontal Radiators - Matt White						New Sizes	
Size H x W	Watts	BTU	Element Output	Element Type	Code	£ Ex VAT	£ Inc VAT
600 x 471mm	734	2503	N/A	N/A	81.0199	205.00	246.00
600 x 589mm	818	2792	N/A	N/A	81.0136	255.00	306.00
600 x 648mm	1010	3444	N/A	N/A	81.0202	292.00	350.40
600 x 825mm	1145	3908	N/A	N/A	81.0137	357.00	428.40
600 x 1002mm	1391	4747	N/A	N/A	81.0138	431.00	517.20
600 x 1061mm	1652	5633	N/A	N/A	81.0205	468.00	561.60
600 x 1179mm	1836	6266	N/A	N/A	81.0139	505.00	606.00

Tunstall Double Horizontal Radiators - Matt Anthracite						New Sizes	
Size H x W	Watts	BTU	Element Output	Element Type	Code	£ Ex VAT	£ Inc VAT
600 x 471mm	734	2503	N/A	N/A	81.0200	213.00	255.60
600 x 589mm	818	2792	N/A	N/A	81.0154	261.00	313.20
600 x 648mm	1010	3444	N/A	N/A	81.0203	300.00	360.00
600 x 825mm	1145	3908	N/A	N/A	81.0155	362.00	434.40
600 x 1002mm	1391	4747	N/A	N/A	81.0156	438.00	525.60
600 x 1061mm	1652	5633	N/A	N/A	81.0206	478.00	573.60
600 x 1179mm	1836	6266	N/A	N/A	81.0157	517.00	620.40

Tunstall Double Horizontal Radiators - Matt Black						New Colour	
Size H x W	Watts	BTU	Element Output	Element Type	Code	£ Ex VAT	£ Inc VAT
600 x 471mm	734	2503	N/A	N/A	81.0201	213.00	255.60
600 x 589mm	818	2792	N/A	N/A	81.0175	261.00	313.20
600 x 648mm	1010	3444	N/A	N/A	81.0204	300.00	360.00
600 x 825mm	1145	3908	N/A	N/A	81.0176	362.00	434.40
600 x 1002mm	1391	4747	N/A	N/A	81.0177	438.00	525.60
600 x 1061mm	1652	5633	N/A	N/A	81.0207	478.00	573.60
600 x 1179mm	1836	6266	N/A	N/A	81.0178	517.00	620.40



Double profile construction

Multi-Purpose Towel Hangers

Page 740



Warranty
5
Year

Heating

Round Vent Caps

Page 741



Designer Range

TUNSTALL DOUBLE TOWEL RAIL Including new sizes & new colour

Vertical Sizes (x6)

H800 X W500/600
H1200 x W500/600
H1600 x W500/600

Warranty

5

Year

Heating

Dual-Fuel

Horizontal Size (x1)

H560 X W1000

Pictured 81.0149 Matt White

Double horizontal profiles in elliptical shape of this towel rail will warm your towels and also your bathroom. Available in two colour options.

FEATURES

- 50 x 25mm horizontal bars
- Double horizontal profile construction
- Tested to BS EN 442 standards
- 5 Year manufacturer's warranty*
- Can be single, dual fuel or all electric
- * With conditions

Technical Tables & Drawings
Page 772-773



Tunstall Double Towel Rails - Matt White

Size H x W	Watts	BTU	Element Output	Element Type	Code	£ Ex VAT	£ Inc VAT
560 x 1000mm	1060	3618	600W	A, A+, D, E, F, G	81.0149	344.00	412.80
800 x 500mm	620	2116	300W	A, A+, D, E, F, G	81.0143	267.00	320.40
800 x 600mm	742	2532	450W	A, A+, D, E, F, G	81.0146	284.00	340.80
1200 x 500mm	893	3048	450W	A, A+, D, E, F, G	81.0144	381.00	457.20
1200 x 600mm	1072	3659	600W	A, A+, D, E, F, G	81.0147	410.00	492.00
1600 x 500mm	1170	3993	600W	A, A+, D, E, F, G	81.0145	499.00	598.80
1600 x 600mm	1405	4795	750W	A, A+, D, E, F, G	81.0148	535.00	642.00

Tunstall Double Towel Rails - Matt Anthracite

Size H x W	Watts	BTU	Element Output	Element Type	Code	£ Ex VAT	£ Inc VAT
560 x 1000mm	1060	3618	600W	A, A+, D, E, F, G	81.0167	344.00	412.80
800 x 500mm	620	2116	300W	A, A+, D, E, F, G	81.0161	267.00	320.40
800 x 600mm	742	2532	450W	A, A+, D, E, F, G	81.0164	284.00	340.80
1200 x 500mm	893	3048	450W	A, A+, D, E, F, G	81.0162	381.00	457.20
1200 x 600mm	1072	3659	600W	A, A+, D, E, F, G	81.0165	410.00	492.00
1600 x 500mm	1170	3993	600W	A, A+, D, E, F, G	81.0163	499.00	598.80
1600 x 600mm	1405	4795	750W	A, A+, D, E, F, G	81.0166	535.00	642.00

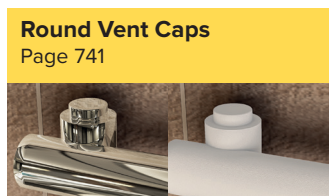
Tunstall Double Towel Rails - Matt Black

Size H x W	Watts	BTU	Element Output	Element Type	Code	£ Ex VAT	£ Inc VAT
560 x 1000mm	1060	3618	600W	A, A+, D, E, F, G	81.0179	344.00	412.80
800 x 500mm	620	2116	300W	A, A+, D, E, F, G	81.0180	267.00	320.40
800 x 600mm	742	2532	450W	A, A+, D, E, F, G	81.0181	284.00	340.80
1200 x 500mm	893	3048	450W	A, A+, D, E, F, G	81.0182	381.00	457.20
1200 x 600mm	1072	3659	600W	A, A+, D, E, F, G	81.0183	410.00	492.00
1600 x 500mm	1170	3993	600W	A, A+, D, E, F, G	81.0184	499.00	598.80
1600 x 600mm	1405	4795	750W	A, A+, D, E, F, G	81.0185	535.00	642.00

New Colour

TECHNICAL INFORMATION

All measurements in Height by Width. Heat output based on ▲T60°C. Radiators that are electric only are restricted to the heat output of the elements. Element size can be increased to full capacity of rail if using element type D, E, F or G. For element types see pages 718-729. For matching valves see pages 731-737. For indirect heating systems only. Tappings are approx. 46mm less than the width of the rail and approx. 70-75mm off the wall. Price includes radiator and wall fixing sets, valves extra.



Designer Range

TUNSTALL MIRROR



Warranty
5
Year

Heating


Technical Tables & Drawings
Page 772-773

Bar Dimensions (mm)
Vertical Bars 50 x 25mm

Pictured 81.0169 Matt Anthracite

Including new colour

TUNSTALL DOUBLE MIRROR



Warranty
5
Year

Heating


Pictured 81.0152 Matt White

Profiles in elliptical shape of this radiator is in perfect harmony with the mirror placed in the middle. Available in two colour options.

FEATURES

- Single vertical profile construction, mirror width 145mm
- Tested to BS EN 442 standards
- 5 Year manufacturer's warranty*
- Not suitable for elements
- * With conditions

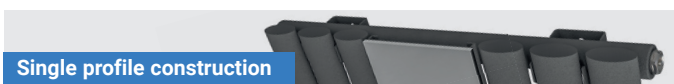
Tunstall Mirror Radiators - Matt White							
Size H x W	Watts	BTU	Element Output	Element Type	Code	£ Ex VAT	£ Inc VAT
1800 x 380mm	705	2406	N/A	N/A	81.0150	282.00	338.40
1800 x 500mm	1056	3604	N/A	N/A	81.0151	416.00	499.20

Tunstall Mirror Radiators - Matt Anthracite							
Size H x W	Watts	BTU	Element Output	Element Type	Code	£ Ex VAT	£ Inc VAT
1800 x 380mm	705	2406	N/A	N/A	81.0168	282.00	338.40
1800 x 500mm	1056	3604	N/A	N/A	81.0169	416.00	499.20

Tunstall Mirror Radiators - Matt Black							<i>New Colour</i>
Size H x W	Watts	BTU	Element Output	Element Type	Code	£ Ex VAT	£ Inc VAT
1800 x 380mm	705	2406	N/A	N/A	81.0186	282.00	338.40
1800 x 500mm	1056	3604	N/A	N/A	81.0187	416.00	499.20

TECHNICAL INFORMATION

All measurements in Height by Width. Heat output based on ▲T60°C. For matching valves see pages 731-737. For indirect heating systems only. Tappings are the width of the rail and approx. 40mm off the wall. Projection from wall 79mm. Mirror width 145mm. Price includes radiator and wall fixing sets, valves extra.



Profiles in elliptical shape of this radiator is in perfect harmony with the mirror placed in the middle. Available in two colour options.

FEATURES

- Double vertical profile construction, mirror width 145mm
- Tested to BS EN 442 standards
- 5 Year manufacturer's warranty*
- Not suitable for elements
- * With conditions

Tunstall Double Mirror Radiators - Matt White							
Size H x W	Watts	BTU	Element Output	Element Type	Code	£ Ex VAT	£ Inc VAT
1800 x 380mm	1102	3761	N/A	N/A	81.0152	340.00	408.00
1800 x 500mm	1654	5645	N/A	N/A	81.0153	505.00	606.00

Tunstall Double Mirror Radiators - Matt Anthracite							
Size H x W	Watts	BTU	Element Output	Element Type	Code	£ Ex VAT	£ Inc VAT
1800 x 380mm	1102	3761	N/A	N/A	81.0170	340.00	408.00
1800 x 500mm	1654	5645	N/A	N/A	81.0171	505.00	606.00

Tunstall Double Mirror Radiators - Matt Black							<i>New Colour</i>
Size H x W	Watts	BTU	Element Output	Element Type	Code	£ Ex VAT	£ Inc VAT
1800 x 380mm	1102	3761	N/A	N/A	81.0188	340.00	408.00
1800 x 500mm	1654	5645	N/A	N/A	81.0189	505.00	606.00

TECHNICAL INFORMATION

All measurements in Height by Width. Heat output based on ▲T60°C. For matching valves see pages 731-737. For indirect heating systems only. Tappings are the width of the rail and approx. 65mm off the wall. Projection from wall 104mm. Mirror width 145mm. Price includes radiator and wall fixing sets, valves extra.



Traditional Range

WINDRUSH

Pictured 41.1009 Chrome

Warranty

5

Year

Heating



All Electric



Dual-Fuel

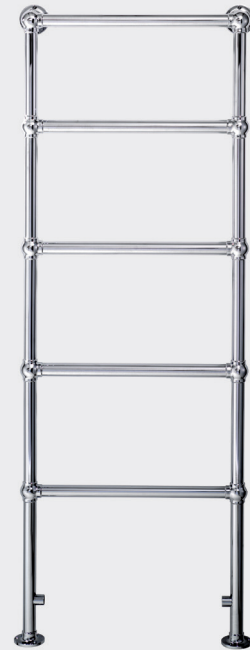


Technical Tables
& Drawings

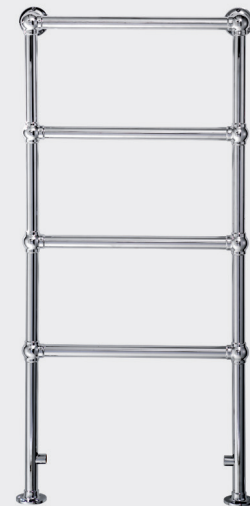
Page 798-799



Pictured 41.1016 Chrome



Pictured 41.1014 Chrome



Our traditional range of radiators offer character and flair to ensure they fit in with your classic designs. The Windrush is a simple, traditional design that will add a vintage feel to your bathroom.

Windrush - Chrome

Size H x W x D	Watts	BTU	Element Output	Element Type	Code	£ Ex VAT	£ Inc VAT
950 x 500 x 130mm	147	502	100W	A, A+	41.1009	307.00	368.40
950 x 600 x 130mm	163	556	100W	A, A+	41.1003	328.00	393.60
1195 x 500 x 130mm	236	805	150W	A, A+, E	41.1014	332.00	398.40
1195 x 600 x 130mm	258	880	150W	A, A+, E	41.1015	351.00	421.20
1550 x 500 x 130mm	290	989	150W	A, A+, E	41.1016	402.00	482.40
1550 x 600 x 130mm	322	1099	150W	A, A+, E	41.1017	420.00	504.00

FEATURES

- Can be single, dual fuel or all electric
- Tested to BS EN 442 standards
- 5 Year Manufacturer's Warranty*

* With conditions

TECHNICAL INFORMATION

All measurements in Height by Width. Heat output based on $\Delta T60^{\circ}\text{C}$. Radiators that are electric only are restricted to the heat output of the elements. Element size can be increased to full capacity of rail if using element type E. For element types see pages 718-729. For matching valves see pages 731-737. For indirect heating systems only. Tappings are approx. 130mm less than the width of the rail (144mm for 41.1009) and approx. 105mm off the wall. Price includes radiator and wall fixing sets, valves extra.

Traditional Range

STOUR

Including new colours

Pictured 41.1018 Chrome

Warranty

5
Year

Heating



All Electric



Dual-Fuel



Technical Tables
& Drawings
Page 798-799



Our traditional range of radiators offer character and flair to ensure they fit in with your classic designs. The Stour in chrome finish offers a Victorian feel to complement a traditional bathroom.

FEATURES

- Can be single, dual fuel or all electric
- Tested to BS EN 442 standards
- 5 Year Manufacturer's Warranty*

* With conditions

Stour - Chrome

Size H x W	Watts	BTU	Element Output	Element Type	Code	£ Ex VAT	£ Inc VAT
690 x 500mm	125	428	150W	E	41.1010	230.00	276.00
690 x 600mm	177	604	100W	A, A+, E	41.1005	252.00	302.40
1195 x 500mm	209	714	100W	A, A+, E	41.1018	363.00	435.60
1195 x 600mm	232	791	150W	A, A+, E	41.1019	381.00	457.20
1550 x 500mm	260	888	150W	A, A+, E	41.1020	428.00	513.60
1550 x 600mm	287	980	150W	A, A+, E	41.1021	456.00	547.20

TECHNICAL INFORMATION

All measurements in Height by Width. Heat output based on $\Delta T60^{\circ}C$. Radiators that are electric only are restricted to the heat output of the elements. Element size can be increased to full capacity of rail if using element type E. For element types see pages 718-729. For matching valves see pages 731-737. For indirect heating systems only. Tappings are approx. 74mm less than the width of the rail and approx. 53mm off the wall. Price includes radiator and wall fixing sets, valves extra.

Pictured 41.1020 Chrome



Pictured 41.1018 Chrome



Pictured 41.1010 Chrome



Traditional Range

STOUR

Including new colours



Brushed Brass colour shown in images are subject to the limitations of the printing process and may appear different.

Pictured 41.0380 Brushed Brass



Technical Tables & Drawings
Page 798-799

Pictured 41.0435 Matt White

Our traditional range of radiators offer character and flair to ensure they fit in with your classic designs. The Stour in new colours, brushed brass and matt white offers a Victorian feel to complement a traditional bathroom.

FEATURES

- Can be single, dual fuel or all electric
- Tested to BS EN 442 standards
- 5 Year Manufacturer's Warranty*
- * With conditions

Stour - Brushed Brass						New Colour	
Size H x W	Watts	BTU	Element Output	Element Type	Code	£ Ex VAT	£ Inc VAT
690 x 500mm*	125	428	150W	E	41.0377	355.00	426.00
690 x 600mm*	177	604	100W	A, A+, E	41.0378	383.00	459.60
1195 x 500mm*	209	714	100W	A, A+, E	41.0379	565.00	678.00
1195 x 600mm*	232	791	150W	A, A+, E	41.0380	596.00	715.20
1550 x 500mm*	260	888	150W	A, A+, E	41.0381	696.00	835.20
1550 x 600mm*	287	980	150W	A, A+, E	41.0382	744.00	892.80

*Available February 2023

Stour - Matt White						New Colour	
Size H x W	Watts	BTU	Element Output	Element Type	Code	£ Ex VAT	£ Inc VAT
690 x 500mm*	221	753	100W	A, A+, E	41.0431	197.00	236.40
690 x 600mm*	240	820	100W	A, A+, E	41.0432	211.00	253.20
1195 x 500mm*	287	979	100W	A, A+, E	41.0433	316.00	379.20
1195 x 600mm*	386	1318	150W	A, A+, E	41.0434	337.00	404.40
1550 x 500mm*	366	1248	150W	A, A+, E	41.0435	346.00	415.20
1550 x 600mm*	398	1359	150W	A, A+, E	41.0436	376.00	451.20

*Available February 2023

TECHNICAL INFORMATION

All measurements in Height by Width. Heat output based on $\Delta T60^{\circ}C$. Radiators that are electric only are restricted to the heat output of the elements. Element size can be increased to full capacity of rail if using element type E. For element types see pages 718-729. For matching valves see pages 731-737. For indirect heating systems only. Tappings are approx. 74mm less than the width of the rail and approx. 53mm off the wall. Price includes radiator and wall fixing sets, valves extra.

Warranty

5

Year

Heating

All Electric

Dual-Fuel

Traditional Range

Including new colours

STOUR



Pictured 41.0437 Matt Anthracite



Pictured 41.0445 Matt Black

Technical Tables & Drawings
Page 798-799



Our traditional range of radiators offer character and flair to ensure they fit in with your classic designs. The Stour in new colours, matt anthracite and matt black offers a Victorian feel to complement a traditional bathroom.

FEATURES

- Can be single, dual fuel or all electric
- Tested to BS EN 442 standards
- 5 Year Manufacturer's Warranty*
- * With conditions

Stour - Matt Anthracite						New Colour	
Size H x W	Watts	BTU	Element Output	Element Type	Code	£ Ex VAT	£ Inc VAT
690 x 500mm*	221	753	100W	A, A+, E	41.0437	197.00	236.40
690 x 600mm*	240	820	100W	A, A+, E	41.0438	211.00	253.20
1195 x 500mm*	287	979	100W	A, A+, E	41.0439	316.00	379.20
1195 x 600mm*	386	1318	150W	A, A+, E	41.0440	337.00	404.40
1550 x 500mm*	366	1248	150W	A, A+, E	41.0441	346.00	415.20
1550 x 600mm*	398	1359	150W	A, A+, E	41.0442	376.00	451.20

*Available February 2023

Stour - Matt Black						New Colour	
Size H x W	Watts	BTU	Element Output	Element Type	Code	£ Ex VAT	£ Inc VAT
690 x 500mm*	221	753	100W	A, A+, E	41.0443	197.00	236.40
690 x 600mm*	240	820	100W	A, A+, E	41.0444	211.00	253.20
1195 x 500mm*	287	979	100W	A, A+, E	41.0445	316.00	379.20
1195 x 600mm*	386	1318	150W	A, A+, E	41.0446	337.00	404.40
1550 x 500mm*	366	1248	150W	A, A+, E	41.0447	346.00	415.20
1550 x 600mm*	398	1359	150W	A, A+, E	41.0448	376.00	451.20

*Available February 2023

TECHNICAL INFORMATION

All measurements in Height by Width. Heat output based on $\Delta T60^{\circ}C$. Radiators that are electric only are restricted to the heat output of the elements. Element size can be increased to full capacity of rail if using element type E. For element types see pages 718-729. For matching valves see pages 731-737. For indirect heating systems only. Tappings are approx. 74mm less than the width of the rail and approx. 53mm off the wall. Price includes radiator and wall fixing sets, valves extra.

Warranty

5

Year

Heating

All Electric

Dual-Fuel

Traditional Range

AVON

Including new size & new colours

For element types see pages 718-729.



Pictured 41.1006 Chrome / Gloss



Pictured 41.1028 Chrome / Matt Anthracite



Pictured 41.1026 Chrome / Matt

Our traditional range of radiators offer character and flair to ensure they fit in with your classic designs. These rails only be used on closed or indirect heating circuits, not on fresh water hot systems as they are of steel construction.

Avon - Chrome / Gloss White						New Size	
Size H x W x D	Watts	BTU	Element Output	Element Type	Code	£ Ex VAT	£ Inc VAT
960 x 429 x 185mm	450	1535	150W	A, A+, C, E, H	41.1027	366.00	439.20
960 x 500 x 185mm	530	1808	300W	A, A+, C, E, H	41.1006	388.00	465.60

Avon - Chrome / Matt Anthracite						New Colour	
Size H x W x D	Watts	BTU	Element Output	Element Type	Code	£ Ex VAT	£ Inc VAT
960 x 429 x 185mm	450	1535	150W	A, A+, C, E, H	41.1028	366.00	439.20
960 x 500 x 185mm	530	1808	300W	A, A+, C, E, H	41.1025	388.00	465.60

Avon - Chrome / Matt Black						New Colour	
Size H x W x D	Watts	BTU	Element Output	Element Type	Code	£ Ex VAT	£ Inc VAT
960 x 429 x 185mm	450	1535	150W	A, A+, C, E, H	41.1029	366.00	439.20
960 x 500 x 185mm	530	1808	300W	A, A+, C, E, H	41.1026	388.00	465.60

Tappings are approx. 130mm less than the width of the rail and approx. 135mm off the wall.

FEATURES

- Tested to BS EN 442 standards
- 5 Year Manufacturer's Warranty*
- Can be single or dual fuel, or all electric
- * With conditions

Technical Tables & Drawings
Page 800-801



Warranty

5

Year

Heating

All Electric

Dual-Fuel



Pair of Radiator Valves & Tails		
Code	£ Ex VAT	£ Inc VAT
54.0001	51.00	61.20

Radiator valves sold separately

COMPLETE THE LOOK

Angle TRV with Lockshield 15mm (pair) Chrome

Code	£ Ex VAT	£ Inc VAT
54.0008	85.00	102.00



Traditional Range

ISBOURNE

Including new colour

For element types see pages 718-729.



Pictured 41.1000 Chrome / Gloss

For element types see pages 718-729.



Pictured 41.1023 Chrome / Matt Black

Our traditional range of radiators offer character and flair to ensure they fit in with your classic designs. These rails only be used on closed or indirect heating circuits, not on fresh water hot systems as they are of steel construction.

Isbourne - Chrome / Gloss White

Size H x W	Watts	BTU	Element Output	Element Type	Code	£ Ex VAT	£ Inc VAT
940 x 600 x 260mm	894	3050	450W	A, A+, C, H	41.1000	453.00	543.60

Isbourne - Chrome / Matt Anthracite

New Colour

Size H x W	Watts	BTU	Element Output	Element Type	Code	£ Ex VAT	£ Inc VAT
940 x 600 x 260mm	894	3050	450W	A, A+, C, H	41.1024	453.00	543.60

Isbourne - Chrome / Matt Black

Size H x W	Watts	BTU	Element Output	Element Type	Code	£ Ex VAT	£ Inc VAT
940 x 600 x 260mm	894	3050	450W	A, A+, C, H	41.1023	453.00	543.60

Tappings are approx. 130mm less than the width of the rail and approx. 121mm off the wall.

FEATURES

- Tested to BS EN 442 standards
 - 5 Year Manufacturer's Warranty*
 - Can be single or dual fuel, or all electric
- * With conditions

TECHNICAL INFORMATION

All measurements in Height by Width. Heat output based on $\Delta T60^{\circ}C$. Radiators that are electric only are restricted to the heat output of the elements. Element size can be increased to full capacity of rail if using element type C or H. For element types see pages 718-729. For matching valves see pages 731-737. For indirect heating systems. Prices include radiator and wall fixings sets, valves extra..

Warranty

5

Year

Heating

All Electric

Dual-Fuel

Technical Tables & Drawings
Page 800-801



COMPLETE THE LOOK



Angle TRV with Lockshield 15mm (pair) Chrome

Code	£ Ex VAT	£ Inc VAT
54.0008	85.00	102.00

Traditional TRVs
Page 733



Traditional Range

IMPERIA 2 COLUMN

Including new sizes



Pictured 41.0345 Matt Anthracite

A traditional rail which will give a Victorian touch of authenticity to any room but will also create an elegant look to a contemporary interior. This radiator boasts high outputs to ensure the whole room is warm. Comes with the option of traditional legs and in gloss white, matt anthracite or bare metal finishes. Also available in three columns.

FEATURES

- Tested to BS EN 442 standards
- 5 Year Manufacturer's Warranty*
- Matching colour wall fixing sets
- Radiator feet option available to get the classic look
- Material thickness 1.5mm
- Doesn't require flow diverter
- * With conditions

Technical Tables & Drawings
Page 802-803



Traditional TRVs
Page 733



Pictured 41.0342 Matt Anthracite with 41.0358 feet

Dual Fuel installation



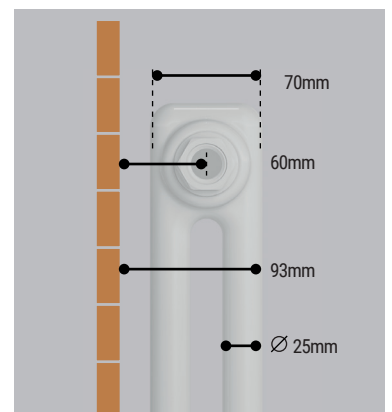
Pictured 41.0339 Gloss White with 8.560 Type H Wi-Fi element, 54.0007 TRV, 8.901 T piece and 41.3003 elbow

Warranty
5
Year

Heating

All Electric

Dual-Fuel



Traditional Range

IMPERIA 2 COLUMN

Including new sizes

Imperia Two Column Radiators - Gloss White						New Sizes	
Size H x W	Watts	BTU	Element Output	Element Type	Code	£ Ex VAT	£ Inc VAT
300 x 1145mm**	875	2985	450W	A, A+, C, E*, H	41.0383	274.00	328.80
300 x 1370mm**	1048	3573	450W	A, A+, C, E*, H	41.0384	323.00	387.60
600 x 425mm**	576	1965	300W	A, A+, C, H	41.0385	150.00	180.00
600 x 470mm**	639	2180	300W	A, A+, C, H	41.0386	163.00	195.60
600 x 515mm**	704	2402	300W	A, A+, C, H	41.0387	176.00	211.20
600 x 560mm**	767	2617	300W	A, A+, C, H	41.0388	190.00	228.00
600 x 605mm	826	2818	450W	A, A+, C, H	41.0339	224.00	268.80
600 x 830mm	1143	3900	600W	A, A+, C, E*, H	41.0338	295.00	354.00
600 x 1010mm**	1407	4800	750W	A, A+, C, H	41.0389	321.00	385.20
600 x 1145mm	1588	5418	900W	A, A+, H	41.0337	395.00	474.00
600 x 1460mm**	2046	6980	1000W	A+	41.0390	453.00	543.60
1800 x 290mm**	1078	3678	N/A	N/A	41.0391	216.00	259.20
1800 x 380mm	1190	4059	N/A	N/A	41.0341	281.00	337.20
1800 x 470mm	1487	5074	N/A	N/A	41.0340	339.00	406.80

*600w Type E Element can be fitted **Available February 2023

Imperia Two Column Radiators - Matt Anthracite						New Sizes	
Size H x W	Watts	BTU	Element Output	Element Type	Code	£ Ex VAT	£ Inc VAT
300 x 1145mm**	875	2985	450W	A, A+, C, E*, H	41.0392	274.00	328.80
300 x 1370mm**	1048	3573	450W	A, A+, C, E*, H	41.0393	323.00	387.60
600 x 425mm**	576	1965	300W	A, A+, C, H	41.0394	150.00	180.00
600 x 470mm**	639	2180	300W	A, A+, C, H	41.0395	163.00	195.60
600 x 515mm**	704	2402	300W	A, A+, C, H	41.0396	176.00	211.20
600 x 560mm**	767	2617	300W	A, A+, C, H	41.0397	190.00	228.00
600 x 605mm	826	2818	450W	A, A+, C, H	41.0344	224.00	268.80
600 x 830mm	1143	3900	600W	A, A+, C, E*, H	41.0343	295.00	354.00
600 x 1010mm**	1407	4800	750W	A, A+, C, H	41.0398	321.00	385.20
600 x 1145mm	1588	5418	900W	A, A+, H	41.0342	395.00	474.00
600 x 1460mm**	2046	6980	1000W	A+	41.0399	453.00	543.60
1800 x 290mm**	1078	3678	N/A	N/A	41.0400	216.00	259.20
1800 x 380mm	1190	4059	N/A	N/A	41.0346	281.00	337.20
1800 x 470mm	1487	5074	N/A	N/A	41.0345	339.00	406.80

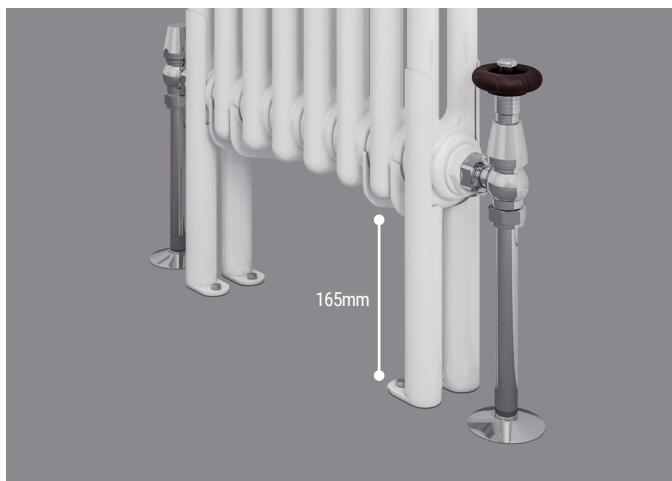
*600w Type E Element can be fitted **Available February 2023

TECHNICAL INFORMATION

All measurements in Height by Width. Heat output based on ▲T60°C. Radiators that are electric only are restricted to the heat output of the elements. Element size can be increased to full capacity of rail if using element type C, E or H. For element types see pages 718-729. For matching valves see pages 731-737. For indirect heating systems. Tappings are the width of the rail and 60mm off the wall. Prices include radiator and wall fixings sets, valves extra.



Pictured 41.0392 Matt Anthracite with 41.0358 feet



Imperia Radiator Feet

Description	Code	£ Ex VAT	£ Inc VAT
Imperia 2 Column Radiator Feet (pair) Gloss White	41.0357	33.00	39.60
Imperia 2 Column Radiator Feet (pair) Matt Anthracite	41.0358	33.00	39.60



Pictured 41.0337 Gloss White with Type A+ Element

Imperia Towel Hangers

Page 738



Robe Hooks

Page 738



Round Vent Caps

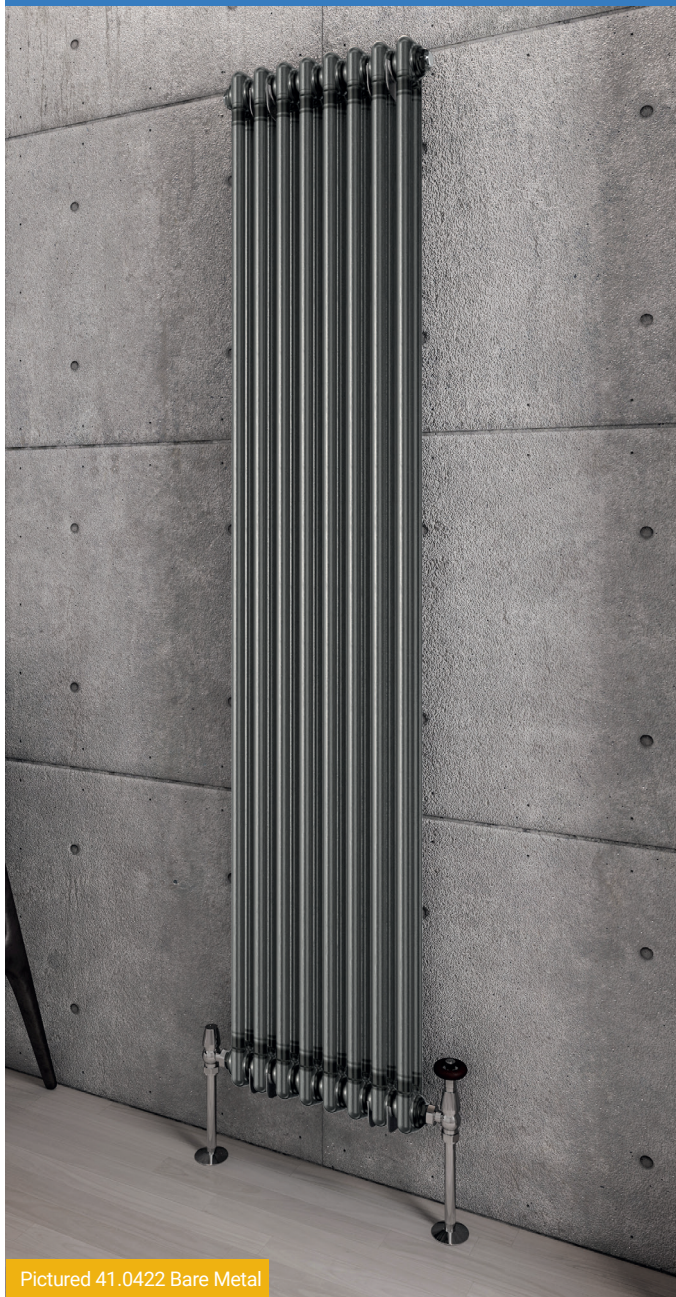
Page 741



Traditional Range

IMPERIA 2 COLUMN

Including new colour



Pictured 41.0422 Bare Metal

Imperia bare metal radiators are handfinished therefore each radiator will have its own unique welding marks and imperfections that are left on purpose. Bare Metal colour shown in images are subject to the limitations of the printing process and may appear different.

Traditional TRVs
Page 733



Pictured 41.0420 Bare Metal

FEATURES

- Tested to BS EN 442 standards
 - 5 Year Manufacturer's Warranty*
 - Matching colour wall fixing sets
 - Radiator feet option available to get the classic look
 - Material thickness 1.5mm
 - Doesn't require flow diverter
- * With conditions

Technical Tables & Drawings
Page 802-803



Imperia Two Column Radiators - Bare Metal

New Colour

Size H x W	Watts	BTU	Element Output	Element Type	Code	£ Ex VAT	£ Inc VAT
600 x 605mm**	826	2818	450W	A, A+, C, H	41.0419	318.00	381.60
600 x 830mm**	1143	3900	600W	A, A+, C, E*, H	41.0420	422.00	506.40
600 x 1145mm**	1588	5418	900W	A, A+, H	41.0421	566.00	679.20
1800 x 380mm**	1190	4059	N/A	N/A	41.0422	424.00	508.80
1800 x 470mm**	1487	5074	N/A	N/A	41.0423	506.00	607.20

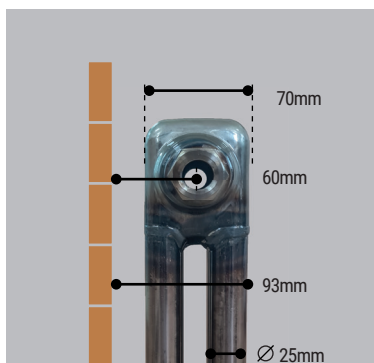
*600w Type E Element can be fitted **Available February 2023

TECHNICAL INFORMATION

All measurements in Height by Width. Heat output based on $\Delta T60^{\circ}\text{C}$. Radiators that are electric only are restricted to the heat output of the elements. Element size can be increased to full capacity of rail if using element type C, E or H. For element types see pages 718-729. For matching valves see pages 731-737. For indirect heating systems. Tappings are the width of the rail and 60mm off the wall. Prices include radiator and wall fixings sets, valves extra.

Eastbrook is always on the look out for products and finishes trending in the UK market. We have noticed a trend in bare brick and plain painted walls with traditional engineering items such as small sand casts mounted on the wall. Known in designer circles as the Industrial Chic look.

For those of you looking for Bare metal finish radiator showing the welds, pressings, sanding and tubes that make up a traditional column radiator we have introduced this range. We have sealed the metal with clear lacquer to ensure no impurities are allow to discolour of oxidise the metal.



Warranty

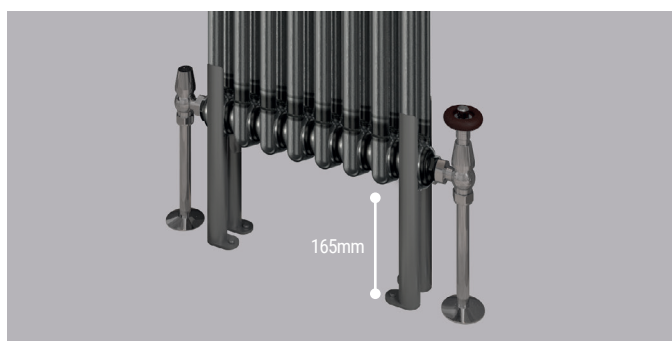
5

Year

Heating

All Electric

Dual-Fuel



Imperia Radiator Feet

New Colour

Description	Code	£ Ex VAT	£ Inc VAT
Imperia 2 Column Radiator Feet (pair)	41.0429	42.00	50.40

Traditional Range

Including new colour

IMPERIA 3 COLUMN



Pictured 41.0428 Bare Metal

Eastbrook is always on the look out for products and finishes trending in the UK market. We have noticed a trend in bare brick and plain painted walls with traditional engineering items such as small sand casts mounted on the wall. Known in designer circles as the Industrial Chic look.

For those of you looking for Bare metal finish radiator showing the welds, pressings, sanding and tubes that make up a traditional column radiator we have introduced this range. We have sealed the metal with clear lacquer to ensure no impurities are allow to discolour of oxidise the metal.

Imperia bare metal radiators are handfinished therefore each radiator will have its own unique welding marks and imperfections that are left on purpose. Bare Metal colour shown in images are subject to the limitations of the printing process and may appear different.

Traditional TRVs
Page 733



Pictured 41.0424 Bare Metal

FEATURES

- Tested to BS EN 442 standards
- 5 Year Manufacturer's Warranty*
- Matching colour wall fixing sets
- Radiator feet option available to get the classic look
- Material thickness 1.5mm
- Doesn't require flow diverter
- * With conditions

Technical Tables & Drawings
Page 802-803

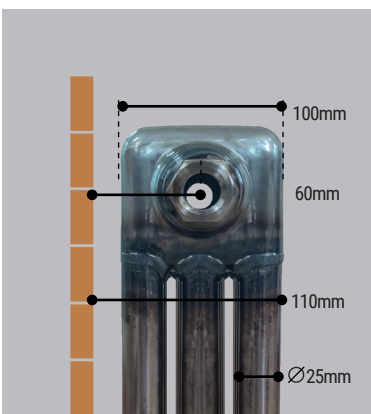


Imperia Three Column Radiators - Bare Metal						New Colour		
Size H x W	Watts	BTU	Element Output	Element Type	Code	£ Ex VAT	£ Inc VAT	
600 x 605mm**	1081	3688	600W	A, A+, C, H	41.0424	374.00	448.80	
600 x 830mm**	1498	5110	900W	A+, C, H	41.0425	497.00	596.40	
600 x 1145mm**	2362	8059	1200W	A, A+, H	41.0426	668.00	801.60	
1800 x 380mm**	2099	7160	N/A	N/A	41.0427	511.00	613.20	
1800 x 470mm**	2623	8950	N/A	N/A	41.0428	610.00	732.00	

**Available February 2023

TECHNICAL INFORMATION

All measurements in Height by Width. Heat output based on $\Delta T60^{\circ}C$. Radiators that are electric only are restricted to the heat output of the elements. Element size can be increased to full capacity of rail if using element type C, E or H. For element types see pages 718-729. For matching valves see pages 731-737. For indirect heating systems. Tappings are the width of the rail and 60mm off the wall. Prices include radiator and wall fixings sets, valves extra.



Warranty

5
Year

Heating

All Electric

Dual-Fuel



Imperia Radiator Feet		New Colour		
Description	Code	£ Ex VAT	£ Inc VAT	
Imperia 3 Column Radiator Feet (pair)	41.0430	46.00	55.20	

Traditional Range

IMPERIA 3 COLUMN

Including new sizes



Pictured 41.0351 Gloss White with 41.0359 feet



Pictured 41.0353 Matt Anthracite

Traditional TRVs
Page 733



Pictured 41.0347 Gloss White

A traditional rail which will give a Victorian touch of authenticity to any room but will also create an elegant look to a contemporary interior. This radiator boasts high outputs to ensure the whole room is warm. Comes with the option of traditional legs and in gloss white, matt anthracite or bare metal finishes. Also available in two columns.

FEATURES

- Tested to BS EN 442 standards
- 5 Year Manufacturer's Warranty*
- Matching colour wall fixing sets
- Radiator feet option available to get the classic look
- Material thickness 1.5mm
- Doesn't require flow diverter
- * With conditions

Technical Tables
& Drawings
Page 802-803

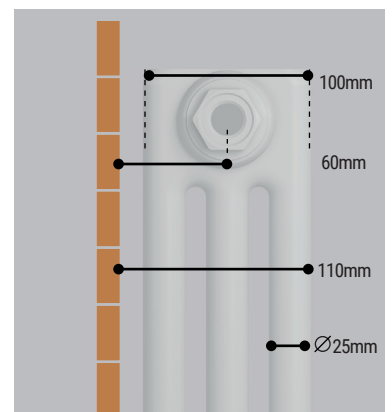


Warranty
5
Year

Heating

All Electric

Dual-Fuel



Traditional Range

Including new sizes

IMPERIA 3 COLUMN

Imperia Three Column Radiators - Gloss White						New Sizes	
Size H x W	Watts	BTU	Element Output	Element Type	Code	£ Ex VAT	£ Inc VAT
300 x 1145mm**	1278	4360	600W	A, A+, C, E*, H	41.0401	317.00	380.40
300 x 1370mm**	1436	4896	750W	A, A+, C, E*, H	41.0402	374.00	448.80
600 x 425mm**	850	2900	450W	A, A+	41.0403	178.00	213.60
600 x 470mm**	945	3224	450W	A, A+, C, H	41.0404	193.00	231.60
600 x 515mm**	1040	3548	450W	A, A+, C, H	41.0405	208.00	249.60
600 x 560mm**	1134	3869	600W	A+, C, H	41.0406	225.00	270.00
600 x 605mm	1081	3688	600W	A, A+, C, H	41.0349	262.00	314.40
600 x 830mm	1498	5110	900W	A+, C, H	41.0348	346.00	415.20
600 x 1010mm**	2079	7093	1000W	A, A+, C, H	41.0407	381.00	457.20
600 x 1145mm	2362	8059	1200W	A, A+, H	41.0347	466.00	559.20
600 x 1460mm**	3024	10317	1200W	A+, H	41.0408	538.00	645.60
1800 x 290mm**	1608	5486	N/A	N/A	41.0409	262.00	314.40
1800 x 380mm	2099	7160	N/A	N/A	41.0351	339.00	406.80
1800 x 470mm	2623	8950	N/A	N/A	41.0350	407.00	488.40

*600w Type E Element can be fitted **Available February 2023

Imperia Three Column Radiators - Matt Anthracite						New Sizes	
Size H x W	Watts	BTU	Element Output	Element Type	Code	£ Ex VAT	£ Inc VAT
300 x 1145mm**	1278	4360	600W	A, A+, C, E*, H	41.0410	317.00	380.40
300 x 1370mm**	1436	4896	750W	A, A+, C, E*, H	41.0411	374.00	448.80
600 x 425mm**	850	2900	450W	A, A+	41.0412	178.00	213.60
600 x 470mm**	945	3224	450W	A, A+, C, H	41.0413	193.00	231.60
600 x 515mm**	1040	3548	450W	A, A+, C, H	41.0414	208.00	249.60
600 x 560mm**	1134	3869	600W	A+, C, H	41.0415	225.00	270.00
600 x 605mm	1081	3688	600W	A, A+, C, H	41.0354	262.00	314.40
600 x 830mm	1498	5110	900W	A+, C, H	41.0353	346.00	415.20
600 x 1010mm**	2079	7093	1000W	A, A+, C, H	41.0416	381.00	457.20
600 x 1145mm	2362	8059	1200W	A, A+, H	41.0352	466.00	559.20
600 x 1460mm**	3024	10317	1200W	A+, H	41.0417	538.00	645.60
1800 x 290mm**	1608	5486	N/A	N/A	41.0418	262.00	314.40
1800 x 380mm	2099	7160	N/A	N/A	41.0356	339.00	406.80
1800 x 470mm	2623	8950	N/A	N/A	41.0355	407.00	488.40

*600w Type E Element can be fitted **Available February 2023

TECHNICAL INFORMATION

All measurements in Height by Width. Heat output based on $\Delta T60^{\circ}\text{C}$. Radiators that are electric only are restricted to the heat output of the elements. Element size can be increased to full capacity of rail if using element type C, E or H. For element types see pages 718-729. For matching valves see pages 731-737. For indirect heating systems. Tappings are the width of the rail and 60mm off the wall. Prices include radiator and wall fixings sets, valves extra.



Pictured 41.0411 Matt Anthracite



Imperia Radiator Feet

Description	Code	£ Ex VAT	£ Inc VAT
Imperia 3 Column Radiator Feet (pair) Gloss White	41.0359	36.00	43.20
Imperia 3 Column Radiator Feet (pair) Matt Anthracite	41.0360	36.00	43.20



Pictured 41.0354 Matt Anthracite with Type A+ Element

Imperia Towel Hangers

Page 738



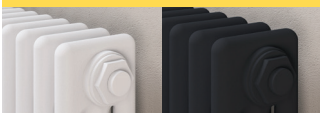
Robe Hooks

Page 738



Round Vent Caps

Page 741



Traditional Range

RIVASSA 2 COLUMN

Including new colour



Pictured 81.0003 Gloss White



Pictured 81.0025 Matt Anthracite

Traditional TRVs
Page 733



Pictured 81.0008 Gloss White with 81.0034 Feet and 8.541 Type H element

A traditional rail which will give a Victorian touch of authenticity to any room but will also create an elegant look to a contemporary interior. This radiator boasts high outputs to ensure the whole room is warm. Comes with the option of traditional legs and in gloss white, matt anthracite or matt black finishes. Also available in three and four columns.

FEATURES

- Tested to BS EN 442 standards
- 5 Year Manufacturer's Warranty*
- Matching colour wall fixing sets
- 300mm height option for limited spaces
- Radiator feet option available to get the classic look
- Material thickness 1.5mm
- Doesn't require flow diverter
- * With conditions

Technical Tables & Drawings

Page 804-805



Warranty

5

Year

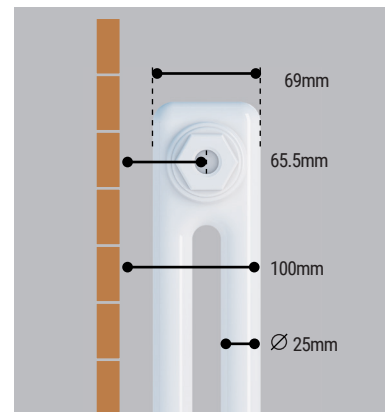
Heating



All Electric



Dual-Fuel



Traditional Range

Including new colour

RIVASSA 2 COLUMN

Rivassa Two Column Radiators - Gloss White

Size H x W	Watts	BTU	Element Output	Element Type	Code	£ Ex VAT	£ Inc VAT
300 x 1148mm	889	3034	450W	A, A+, C, E*, H	81.0005	443.00	531.60
300 x 1373mm	1067	3641	600W	A, A+, C, E*, H	81.0006	531.00	637.20
600 x 428mm	567	1933	300W	A, A+, C, H	81.0038	202.00	242.40
600 x 473mm	630	2148	300W	A, A+, C, H	81.0039	225.00	270.00
600 x 518mm	693	2362	300W	A, A+, C, H	81.0040	246.00	295.20
600 x 563mm	756	2577	450W	A, A+, C, H	81.0041	270.00	324.00
600 x 608mm	818	2792	450W	A, A+, C, H	81.0007	293.00	351.60
600 x 833mm	1133	3866	600W	A, A+, C, E*, H	81.0008	406.00	487.20
600 x 1010mm	1385	4727	750W	A, A+, C, H	81.0077	497.00	596.40
600 x 1148mm	1573	5369	900W	A, A+, H	81.0009	564.00	676.80
600 x 1460mm	2014	6874	1200W	A, A+, H	81.0078	723.00	867.60
1800 x 293mm	933	3185	N/A	N/A	81.0002	263.00	315.60
1800 x 383mm	1245	4247	N/A	N/A	81.0003	346.00	415.20
1800 x 473mm	1556	5308	N/A	N/A	81.0004	434.00	520.80

*600w Type E Element can be fitted

Rivassa Two Column Radiators - Matt Anthracite

Size H x W	Watts	BTU	Element Output	Element Type	Code	£ Ex VAT	£ Inc VAT
300 x 1148mm	889	3034	450W	A, A+, C, E*, H	81.0021	450.00	540.00
300 x 1373mm	1067	3641	600W	A, A+, C, E*, H	81.0022	541.00	649.20
600 x 428mm	567	1933	300W	A, A+, C, H	81.0046	206.00	247.20
600 x 473mm	630	2148	300W	A, A+, C, H	81.0047	228.00	273.60
600 x 518mm	693	2362	300W	A, A+, C, H	81.0048	246.00	295.20
600 x 563mm	756	2577	450W	A, A+, C, H	81.0049	274.00	328.80
600 x 608mm	818	2792	450W	A, A+, C, H	81.0023	301.00	361.20
600 x 833mm	1133	3866	600W	A, A+, C, E*, H	81.0024	414.00	496.80
600 x 1010mm	1385	4727	750W	A, A+, C, H	81.0090	509.00	610.80
600 x 1148mm	1573	5369	900W	A, A+, H	81.0025	575.00	690.00
600 x 1460mm	2014	6874	1200W	A, A+, H	81.0091	737.00	884.40
1800 x 293mm	933	3185	N/A	N/A	81.0018	270.00	324.00
1800 x 383mm	1245	4247	N/A	N/A	81.0019	352.00	422.40
1800 x 473mm	1556	5308	N/A	N/A	81.0020	443.00	531.60

*600w Type E Element can be fitted

Rivassa Two Column Radiators - Matt Black

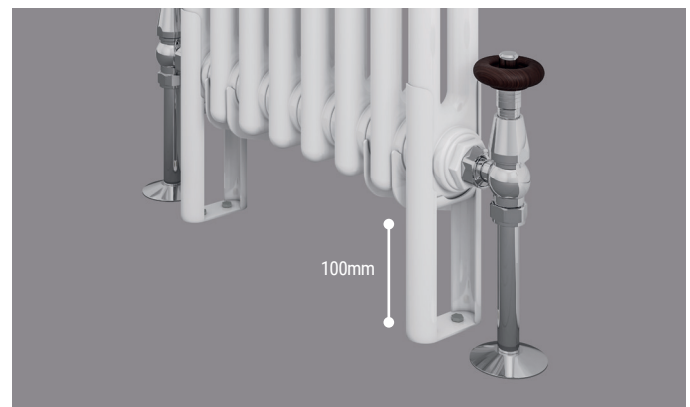
New Colour

Size H x W	Watts	BTU	Element Output	Element Type	Code	£ Ex VAT	£ Inc VAT
300 x 1148mm	889	3034	450W	A, A+, C, E*, H	81.0208	450.00	540.00
300 x 1373mm	1067	3641	600W	A, A+, C, E*, H	81.0209	541.00	649.20
600 x 428mm	567	1933	300W	A, A+, C, H	81.0210	206.00	247.20
600 x 473mm	630	2148	300W	A, A+, C, H	81.0211	228.00	273.60
600 x 518mm	693	2362	300W	A, A+, C, H	81.0212	246.00	295.20
600 x 563mm	756	2577	450W	A, A+, C, H	81.0213	274.00	328.80
600 x 608mm	818	2792	450W	A, A+, C, H	81.0214	301.00	361.20
600 x 833mm	1133	3866	600W	A, A+, C, E*, H	81.0215	414.00	496.80
600 x 1010mm	1385	4727	750W	A, A+, C, H	81.0216	509.00	610.80
600 x 1148mm	1573	5369	900W	A, A+, H	81.0217	575.00	690.00
600 x 1460mm	2014	6874	1200W	A, A+, H	81.0218	737.00	884.40
1800 x 293mm	933	3185	N/A	N/A	81.0219	270.00	324.00
1800 x 383mm	1245	4247	N/A	N/A	81.0220	352.00	422.40
1800 x 473mm	1556	5308	N/A	N/A	81.0221	443.00	531.60

*600w Type E Element can be fitted

TECHNICAL INFORMATION

All measurements in Height by Width. Heat output based on $\Delta T60^{\circ}\text{C}$. Radiators that are electric only are restricted to the heat output of the elements. Element size can be increased to full capacity of rail if using element type C, E or H. For element types see pages 718-729. For matching valves see pages 731-737. For indirect heating systems. Tappings are the width of the rail and 65.5mm off the wall. Prices include radiator and wall fixings sets, valves extra.



Rivassa Radiator Feet

Description	Code	£ Ex VAT	£ Inc VAT
Rivassa 2 Column Radiator Feet (pair) White	81.0034	35.00	42.00
Rivassa 2 Column Rad. Feet (pair) Matt Anthracite	81.0035	35.00	42.00
Rivassa 2 Column Rad. Feet (pair) Matt Black	81.0222	35.00	42.00



Rivassa Towel Hangers

Page 738



Robe Hooks

Page 738



Round Vent Caps

Page 741



Pictured 81.0049 Matt Anthracite with 16.158 Towel Hanger

Traditional Range

RIVASSA 3 COLUMN

Including new colour



Pictured 81.0028 Matt Anthracite



Pictured 81.0033 Matt Anthracite with 81.0037

Traditional TRVs
Page 733



Pictured 81.0016 Gloss White

A traditional rail which will give a Victorian touch of authenticity to any room but will also create an elegant look to a contemporary interior. This radiator boasts high outputs to ensure the whole room is warm. Comes with the option of traditional legs and in gloss white, matt anthracite or matt black finishes. Also available in two and four columns.

FEATURES

- Tested to BS EN 442 standards
- 5 Year Manufacturer's Warranty*
- Matching colour wall fixing sets
- 300mm height option for limited spaces
- Radiator feet option available to get the classic look
- Material thickness 1.5mm
- Doesn't require flow diverter
- * With conditions

Technical Tables
& Drawings
Page 804-805



Warranty

5
Year

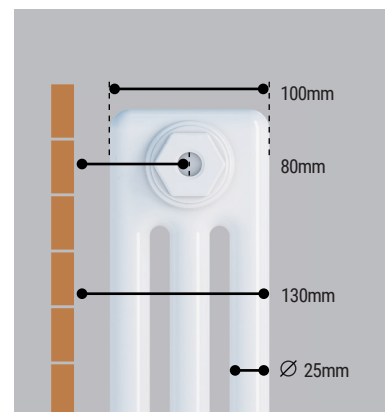
Heating



All Electric



Dual-Fuel



Traditional Range

Including new colour

RIVASSA 3 COLUMN

Rivassa Three Column Radiators - White

Size H x W	Watts	BTU	Element Output	Element Type	Code	£ Ex VAT	£ Inc VAT
300 x 1148mm	1118	3816	600W	A, A+, C, E*, H	81.0013	472.00	566.40
300 x 1373mm	1342	4579	750W	A, A+, C, E*, H	81.0014	564.00	676.80
600 x 428mm	734	2504	450W	A, A+, C, H	81.0042	216.00	259.20
600 x 473mm	816	2782	450W	A, A+, C, H	81.0043	238.00	285.60
600 x 518mm	898	3061	450W	A, A+, C, H	81.0044	261.00	313.20
600 x 563mm	979	3339	600W	A+, C, H	81.0045	284.00	340.80
600 x 608mm	1060	3616	600W	A+, C, H	81.0015	313.00	375.60
600 x 833mm	1467	5007	900W	A+, C, H	81.0016	432.00	518.40
600 x 1010mm	1794	6123	1000W	A, A+, C, H	81.0079	525.00	630.00
600 x 1148mm	2038	6954	1200W	A, A+, H	81.0017	596.00	715.20
600 x 1460mm	2609	8904	1200W	A, A+, H	81.0080	765.00	918.00
1800 x 293mm	1563	5333	N/A	N/A	81.0010	290.00	348.00
1800 x 383mm	2084	7111	N/A	N/A	81.0011	361.00	433.20
1800 x 473mm	2605	8889	N/A	N/A	81.0012	450.00	540.00

*600w Type E Element can be fitted

Rivassa Three Column Radiators - Matt Anthracite

Size H x W	Watts	BTU	Element Output	Element Type	Code	£ Ex VAT	£ Inc VAT
300 x 1148mm	1118	3816	600W	A, A+, C, E*, H	81.0029	479.00	574.80
300 x 1373mm	1342	4579	750W	A, A+, C, E*, H	81.0030	575.00	690.00
600 x 428mm	734	2504	450W	A, A+, C, H	81.0050	219.00	262.80
600 x 473mm	816	2782	450W	A, A+, C, H	81.0051	242.00	290.40
600 x 518mm	898	3061	450W	A, A+, C, H	81.0052	269.00	322.80
600 x 563mm	979	3339	600W	A+, C, H	81.0053	289.00	346.80
600 x 608mm	1060	3616	600W	A+, C, H	81.0031	318.00	381.60
600 x 833mm	1467	5007	900W	A+, C, H	81.0032	438.00	525.60
600 x 1010mm	1794	6123	1000W	A, A+, C, H	81.0092	536.00	643.20
600 x 1148mm	2038	6954	1200W	A, A+, H	81.0033	608.00	729.60
600 x 1460mm	2609	8904	1200W	A, A+, H	81.0093	778.00	933.60
1800 x 293mm	1563	5333	N/A	N/A	81.0026	296.00	355.20
1800 x 383mm	2084	7111	N/A	N/A	81.0027	370.00	444.00
1800 x 473mm	2605	8889	N/A	N/A	81.0028	459.00	550.80

*600w Type E Element can be fitted

Rivassa Three Column Radiators - Matt Black

New Colour

Size H x W	Watts	BTU	Element Output	Element Type	Code	£ Ex VAT	£ Inc VAT
300 x 1148mm	1118	3816	600W	A, A+, C, E*, H	81.0223	479.00	574.80
300 x 1373mm	1342	4579	750W	A, A+, C, E*, H	81.0224	575.00	690.00
600 x 428mm	734	2504	450W	A, A+, C, H	81.0225	219.00	262.80
600 x 473mm	816	2782	450W	A, A+, C, H	81.0226	242.00	290.40
600 x 518mm	898	3061	450W	A, A+, C, H	81.0227	269.00	322.80
600 x 563mm	979	3339	600W	A+, C, H	81.0228	289.00	346.80
600 x 608mm	1060	3616	600W	A+, C, H	81.0229	318.00	381.60
600 x 833mm	1467	5007	900W	A+, C, H	81.0230	438.00	525.60
600 x 1010mm	1794	6123	1000W	A, A+, C, H	81.0231	536.00	643.20
600 x 1148mm	2038	6954	1200W	A, A+, H	81.0232	608.00	729.60
600 x 1460mm	2609	8904	1200W	A, A+, H	81.0233	778.00	933.60
1800 x 293mm	1563	5333	N/A	N/A	81.0234	296.00	355.20
1800 x 383mm	2084	7111	N/A	N/A	81.0235	370.00	444.00
1800 x 473mm	2605	8889	N/A	N/A	81.0236	459.00	550.80

*600w Type E Element can be fitted

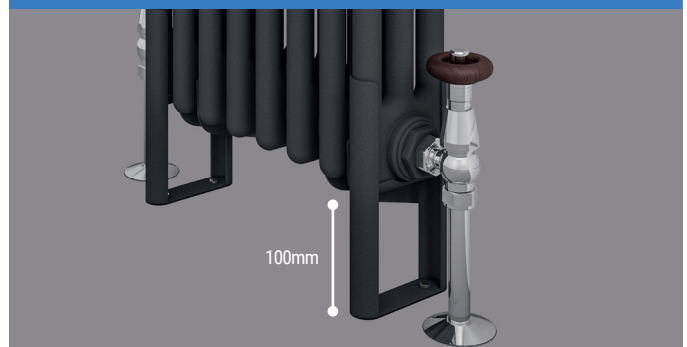
TECHNICAL INFORMATION

All measurements in Height by Width. Heat output based on $\Delta T60^{\circ}\text{C}$. Radiators that are electric only are restricted to the heat output of the elements. Element size can be increased to full capacity of rail if using element type C, E or H. For element types see pages 718-729. For matching valves see pages 731-737. For indirect heating systems. Tappings are the width of the rail and 80mm off the wall. Prices include radiator and wall fixings sets, valves extra.



Pictured 81.0231 Matt Black with 81.0237 Feet

RIVASSA 3 COLUMN RADIATOR FEET



Rivassa Radiator Feet

Description	Code	£ Ex VAT	£ Inc VAT
Rivassa 3 Column Radiator Feet (pair) White	81.0036	35.00	42.00
Rivassa 3 Column Radiator Feet (pair) Matt Anthracite	81.0037	35.00	42.00
Rivassa 3 Column Radiator Feet (pair) Matt Black	81.0237	35.00	42.00



Pictured 81.0042 Gloss White

Rivassa Towel Hangers

Page 738



Robe Hooks

Page 738



Round Vent Caps

Page 741



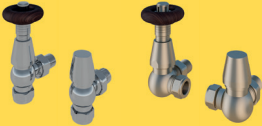
Traditional Range

RIVASSA 4 COLUMN

Including new colour



Traditional TRVs
Page 733



Pictured 81.0074 Gloss White with 81.0076 Feet



Rivassa Towel Hangers
Page 738



Pictured 81.0088 Matt Anthracite

A traditional rail which will give a Victorian touch of authenticity to any room but will also create an elegant look to a contemporary interior. This radiator boasts high outputs to ensure the whole room is warm. Comes with the option of traditional legs and in gloss white, matt anthracite or matt black finishes. Also available in two and three columns.

FEATURES

- Tested to BS EN 442 standards
- 5 Year Manufacturer's Warranty*
- Matching colour wall fixing sets
- 300mm height option for limited spaces
- Radiator feet option available to get the classic look
- Material thickness 1.5mm
- Doesn't require flow diverter
- * With conditions

Warranty

5
Year

Heating



All Electric



Dual-Fuel



**Technical Tables
& Drawings**
Page 806-807



Traditional Range

Including new colour

RIVASSA 4 COLUMN



Pictured 81.0242 Matt Black

Rivassa Four Column Radiators - Gloss White

Size H x W	Watts	BTU	Element Output	Element Type	Code	£ Ex VAT	£ Inc VAT
300 x 1010mm	1197	4085	600W	A, A+, C, E*, H	81.0068	478.00	573.60
300 x 1373mm	1633	5573	1000W	A, A+, H	81.0069	652.00	782.40
300 x 1505mm	1796	6110	1000W	A+, H	81.0070	715.00	858.00
600 x 425mm	869	2966	450W	A, A+	81.0071	286.00	343.20
600 x 605mm	1255	4283	750W	A+, C, H	81.0072	411.00	493.20
600 x 785mm	1641	5601	900W	A+, H	81.0073	536.00	643.20
600 x 1010mm	2124	7249	1200W	A, A+	81.0074	691.00	829.20
600 x 1190mm	2510	8567	1200W	A, A+	81.0075	818.00	981.60

*600w Type E Element can be fitted

Rivassa Four Column Radiators - Matt Anthracite

Size H x W	Watts	BTU	Element Output	Element Type	Code	£ Ex VAT	£ Inc VAT
300 x 1010mm	1197	4085	600W	A, A+, C, E*, H	81.0081	488.00	585.60
300 x 1373mm	1633	5573	1000W	A, A+, H	81.0082	665.00	798.00
300 x 1505mm	1796	6110	1000W	A+, H	81.0083	730.00	876.00
600 x 425mm	869	2966	450W	A, A+	81.0084	290.00	348.00
600 x 605mm	1255	4283	750W	A+, C, H	81.0085	420.00	504.00
600 x 785mm	1641	5601	900W	A+, H	81.0086	546.00	655.20
600 x 1010mm	2124	7249	1200W	A, A+	81.0087	707.00	848.40
600 x 1190mm	2510	8567	1200W	A, A+	81.0088	832.00	998.40

*600w Type E Element can be fitted

Rivassa Four Column Radiators - Matt Black New Colour

Size H x W	Watts	BTU	Element Output	Element Type	Code	£ Ex VAT	£ Inc VAT
300 x 1010mm	1197	4085	600W	A, A+, C, E*, H	81.0238	488.00	585.60
300 x 1373mm	1633	5573	1000W	A, A+, H	81.0239	665.00	798.00
300 x 1505mm	1796	6110	1000W	A+, H	81.0240	730.00	876.00
600 x 425mm	869	2966	450W	A, A+	81.0241	290.00	348.00
600 x 605mm	1255	4283	750W	A+, C, H	81.0242	420.00	504.00
600 x 785mm	1641	5601	900W	A+, H	81.0243	546.00	655.20
600 x 1010mm	2124	7249	1200W	A, A+	81.0244	707.00	848.40
600 x 1190mm	2510	8567	1200W	A, A+	81.0245	832.00	998.40

*600w Type E Element can be fitted

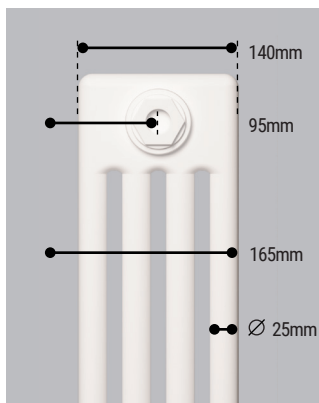
RIVASSA 4 COLUMN RADIATOR FEET

Description	Code	£ Ex VAT	£ Inc VAT
Rivassa 4 Column Radiator Feet (pair) - Gloss White	81.0076	42.00	50.40
Rivassa 4 Column Radiator Feet (pair) - Matt Anthracite	81.0089	42.00	50.40
Rivassa 4 Column Radiator Feet (pair) - Matt Black	81.0246	42.00	50.40

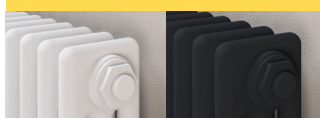


TECHNICAL INFORMATION

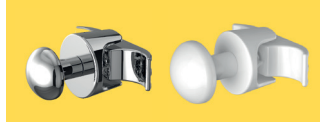
All measurements in Height by Width. Heat output based on $\Delta T60^{\circ}\text{C}$. Radiators that are electric only are restricted to the heat output of the elements. Element size can be increased to full capacity of rail if using element type C, E or H. For element types see pages 718-729. For matching valves see pages 731-737. For indirect heating systems. Tappings are the width of the rail and 95mm off the wall. Projection from wall 165mm. Prices include radiator and wall fixings sets, valves extra.



Round Vent Caps Page 741




Robe Hooks Page 738

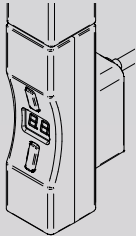


Elements


ELEMENT TYPE F
SQUARE CAP




WATER OR ROOM
TEMPERATURE
CONTROL



Includes remote control.





Chrome

Power	Length (mm)
150W	300
300W	340
600W	390
900W	440
1200W	470

Turbo Boost Function

For vertical installation only.
Digital temp control element
including remote control.

Description	Colour	Code	£ Ex VAT	£ Inc VAT
150W Type F Element with Square Cap	Chrome	8.379	191.00	229.20
300W Type F Element with Square Cap	Chrome	8.380	196.00	235.20
600W Type F Element with Square Cap	Chrome	8.381	205.00	246.00
900W Type F Element with Square Cap	Chrome	8.382	211.00	253.20
1200W Type F Element with Square Cap	Chrome	8.383	215.00	258.00
Spare Remote Controller for Type F Element		8.319	63.00	75.60
Fluid filling for above rail (electric only)*	-	FF	117.00	140.40

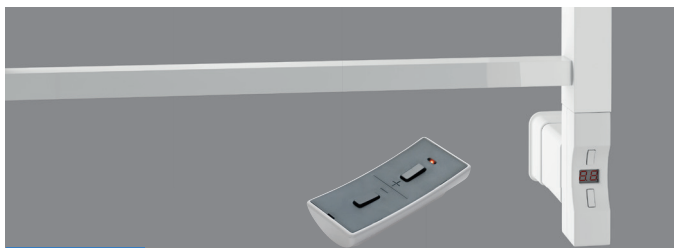
*(not including appropriate element). I.P. rating 54. (Zone 2 and 3)
Please note all fluid filled rails are special order and are **non-returnable**.

FEATURES

- Comes with remote control, that acts as ambient temperature sensor.
- Turbo boost function
- Off season heating
- Cable connection cover included
- Daily & weekly programmable
- Low running costs, towel drying
- Smooth temperature adjustment (10°C to 65°C)
- Thermostat can control either water temperature or ambient room temperature
- Open window detection
- Eco Design ready
- Anti-Freeze function

TECHNICAL INFORMATION

For an all electric towel rail/radiator, fluid filling must be purchased. Electric only elements will be fitted RH side unless otherwise specified. **Suitable for electric only installation.**

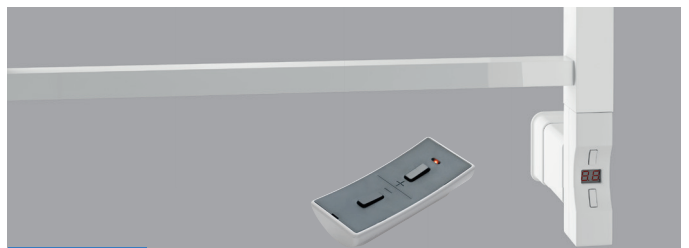


Gloss White

Element Type F With Square Cap - Gloss White

Description	Colour	Code	£ Ex VAT	£ Inc VAT
150W Type F Element with Square Cap	Gloss White	8.384	176.00	211.20
300W Type F Element with Square Cap	Gloss White	8.385	181.00	217.20
600W Type F Element with Square Cap	Gloss White	8.386	191.00	229.20
900W Type F Element with Square Cap	Gloss White	8.387	196.00	235.20
1200W Type F Element with Square Cap	Gloss White	8.388	201.00	241.20
Spare Remote Controller for Type F Element		8.319	63.00	75.60
Fluid filling for above rail (electric only)*	-	FF	117.00	140.40

*(not including appropriate element). I.P. rating 54. (Zone 2 and 3)
Please note all fluid filled rails are special order and are **non-returnable**.

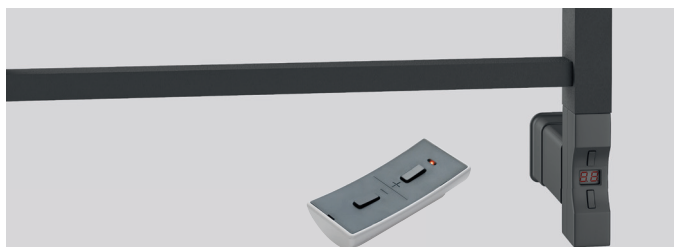


Matt White

Element Type F With Square Cap - Matt White

Description	Colour	Code	£ Ex VAT	£ Inc VAT
150W Type F Element with Square Cap	Matt White	8.389	201.00	241.20
300W Type F Element with Square Cap	Matt White	8.390	205.00	246.00
600W Type F Element with Square Cap	Matt White	8.391	215.00	258.00
900W Type F Element with Square Cap	Matt White	8.392	219.00	262.80
1200W Type F Element with Square Cap	Matt White	8.393	224.00	268.80
Spare Remote Controller for Type F Element		8.319	63.00	75.60
Fluid filling for above rail (electric only)*	-	FF	117.00	140.40

*(not including appropriate element). I.P. rating 54. (Zone 2 and 3)
Please note all fluid filled rails are special order and are **non-returnable**.



Matt Anthracite

Element Type F With Square Cap - Matt Anthracite

Description	Colour	Code	£ Ex VAT	£ Inc VAT
150W Type F Element with Square Cap	Matt Anthracite	8.394	201.00	241.20
300W Type F Element with Square Cap	Matt Anthracite	8.395	205.00	246.00
600W Type F Element with Square Cap	Matt Anthracite	8.396	215.00	258.00
900W Type F Element with Square Cap	Matt Anthracite	8.397	219.00	262.80
1200W Type F Element with Square Cap	Matt Anthracite	8.398	224.00	268.80
Spare Remote Controller for Type F Element		8.319	63.00	75.60
Fluid filling for above rail (electric only)*	-	FF	117.00	140.40

*(not including appropriate element). I.P. rating 54. (Zone 2 and 3)
Please note all fluid filled rails are special order and are **non-returnable**.



Matt Black

Element Type F With Square Cap - Matt Black

Description	Colour	Code	£ Ex VAT	£ Inc VAT
150W Type F Element with Square Cap	Matt Black	8.399	201.00	241.20
300W Type F Element with Square Cap	Matt Black	8.400	205.00	246.00
600W Type F Element with Square Cap	Matt Black	8.401	215.00	258.00
900W Type F Element with Square Cap	Matt Black	8.402	219.00	262.80
1200W Type F Element with Square Cap	Matt Black	8.403	224.00	268.80
Spare Remote Controller for Type F Element		8.319	63.00	75.60
Fluid filling for above rail (electric only)*	-	FF	117.00	140.40

*(not including appropriate element). I.P. rating 54. (Zone 2 and 3)
Please note all fluid filled rails are special order and are **non-returnable**.

Elements

Element Type F WiFi With D Shape Cap - Chrome

Description	Colour	Code	£ Ex VAT	£ Inc VAT
150W Type F Element Wi-Fi with D Shape Cap	Chrome	8.479	281.00	337.20
300W Type F Element Wi-Fi with D Shape Cap	Chrome	8.480	287.00	344.40
600W Type F Element Wi-Fi with D Shape Cap	Chrome	8.481	291.00	349.20
900W Type F Element Wi-Fi with D Shape Cap	Chrome	8.482	295.00	354.00
1200W Type F Element Wi-Fi with D Shape Cap	Chrome	8.483	301.00	361.20
Spare Remote Controller for Type F Element		8.319	63.00	75.60
Fluid filling for above rail (electric only)*	-	FF	117.00	140.40

*(not including appropriate element). I.P. rating 54. (Zone 2 and 3)
Please note all fluid filled rails are special order and are **non-returnable**.

FEATURES

- Wi-Fi & App Control.
- Comes with remote control, that acts as ambient temperature sensor.
- Turbo boost function.
- Off season heating.
- Cable connection cover included.
- Anti-Freeze function.
- Daily & weekly programmable.
- Low running costs, towel drying.
- Smooth temperature adjustment (10°C - 65°C)
- Thermostat can control either water temperature or ambient room temperature.
- Open window detection .
- Anti-Freeze function.
- Eco Design ready

TECHNICAL INFORMATION


For an all electric towel rail/radiator, fluid filling must be purchased. Electric only elements will be fitted RH side unless otherwise specified. **Suitable for electric only installation.**

WATER OR ROOM TEMPERATURE CONTROL





ELEMENT TYPE F WI-FI D SHAPE CAP

NEW



Includes remote control.

Power	Length (mm)
150W	300
300W	340
600W	390
900W	440
1200W	470

Turbo Boost Function

For vertical installation only. Digital temp control element including remote control.

WI-FI SMARTPHONE APPLICATION

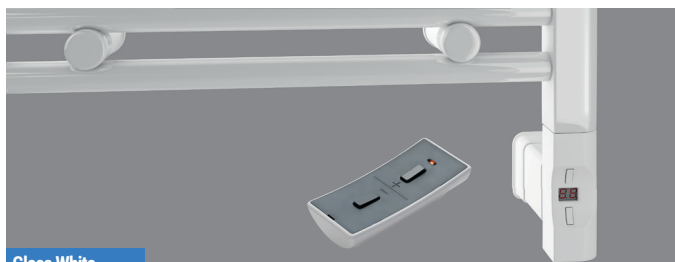
Your Wi-Fi Element has the option of programming the air temperature in the daily and weekly cycles and meets the requirements of the EcoDesign Directive (Lot 20) is compatible with the EcoDirective 2018 for electric elements.



Model is distinguished by modern design, equipped with an electronic controller with an LED display. Additionally, the model is equipped with a cover covering the electrical connection.

Download the "SUPLA" app from [Google Play Store](#) or [Apple App Store](#).

Video instructions for the smartphone app available on our website.

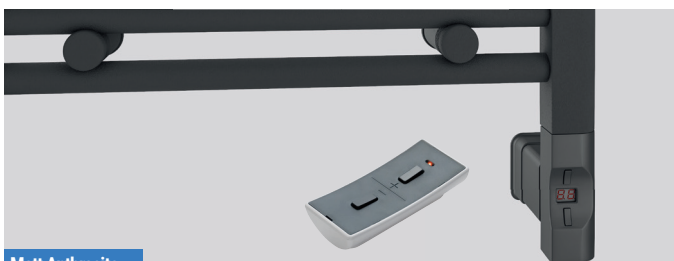


Gloss White

Element Type F WiFi With D Shape Cap - Gloss White

Description	Colour	Code	£ Ex VAT	£ Inc VAT
150W Type F Element Wi-Fi with D Shape Cap	Gloss White	8.484	268.00	321.60
300W Type F Element Wi-Fi with D Shape Cap	Gloss White	8.485	274.00	328.80
600W Type F Element Wi-Fi with D Shape Cap	Gloss White	8.486	278.00	333.60
900W Type F Element Wi-Fi with D Shape Cap	Gloss White	8.487	287.00	344.40
1200W Type F Element Wi-Fi with D Shape Cap	Gloss White	8.488	293.00	351.60
Spare Remote Controller for Type F Element		8.319	63.00	75.60
Fluid filling for above rail (electric only)*	-	FF	117.00	140.40

*(not including appropriate element). I.P. rating 54. (Zone 2 and 3)
Please note all fluid filled rails are special order and are **non-returnable**.



Matt Anthracite

Element Type F WiFi With D Shape Cap - Matt Anthracite

Description	Colour	Code	£ Ex VAT	£ Inc VAT
150W Type F Element Wi-Fi with D Shape Cap	Matt Anthracite	8.489	290.00	348.00
300W Type F Element Wi-Fi with D Shape Cap	Matt Anthracite	8.490	296.00	355.20
600W Type F Element Wi-Fi with D Shape Cap	Matt Anthracite	8.491	300.00	360.00
900W Type F Element Wi-Fi with D Shape Cap	Matt Anthracite	8.492	309.00	370.80
1200W Type F Element Wi-Fi with D Shape Cap	Matt Anthracite	8.493	315.00	378.00
Spare Remote Controller for Type F Element		8.319	63.00	75.60
Fluid filling for above rail (electric only)*	-	FF	117.00	140.40

*(not including appropriate element). I.P. rating 54. (Zone 2 and 3)
Please note all fluid filled rails are special order and are **non-returnable**.



Matt Black

Element Type F WiFi With D Shape Cap - Matt Black

Description	Colour	Code	£ Ex VAT	£ Inc VAT
150W Type F Element Wi-Fi with D Shape Cap	Matt Black	8.494	290.00	348.00
300W Type F Element Wi-Fi with D Shape Cap	Matt Black	8.495	296.00	355.20
600W Type F Element Wi-Fi with D Shape Cap	Matt Black	8.496	300.00	360.00
900W Type F Element Wi-Fi with D Shape Cap	Matt Black	8.497	309.00	370.80
1200W Type F Element Wi-Fi with D Shape Cap	Matt Black	8.498	315.00	378.00
Spare Remote Controller for Type F Element		8.319	63.00	75.60
Fluid filling for above rail (electric only)*	-	FF	117.00	140.40

*(not including appropriate element). I.P. rating 54. (Zone 2 and 3)
Please note all fluid filled rails are special order and are **non-returnable**.

Elements

ELEMENT TYPE F
WI-FI
ROUND CAP

WATER OR ROOM
TEMPERATURE
CONTROL

ECO DESIGN
READY

NEW

Wi-Fi
2.4 GHz

Includes remote control.

Chrome

Power	Length (mm)
150W	300
300W	340
600W	390
900W	440
1200W	470

Turbo Boost Function

For vertical installation only. Digital temp control element including remote control.

Gloss White

Element Type F Wi-Fi With Round Cap - Gloss White

Description	Colour	Code	£ Ex VAT	£ Inc VAT
150W Type F Element Wi-Fi with Round Cap	Gloss White	8.504	268.00	321.60
300W Type F Element Wi-Fi with Round Cap	Gloss White	8.505	274.00	328.80
600W Type F Element Wi-Fi with Round Cap	Gloss White	8.506	278.00	333.60
900W Type F Element Wi-Fi with Round Cap	Gloss White	8.507	287.00	344.40
1200W Type F Element Wi-Fi with Round Cap	Gloss White	8.508	293.00	351.60
Spare Remote Controller for Type F Element		8.319	63.00	75.60
Fluid filling for above rail (electric only)*	-	FF	117.00	140.40

*(not including appropriate element). I.P. rating 54. (Zone 2 and 3)
Please note all fluid filled rails are special order and are **non-returnable**.

Matt Anthracite

Element Type F Wi-Fi With Round Cap - Matt Anthracite

Description	Colour	Code	£ Ex VAT	£ Inc VAT
150W Type F Element Wi-Fi with Round Cap	Matt Anthracite	8.509	290.00	348.00
300W Type F Element Wi-Fi with Round Cap	Matt Anthracite	8.510	296.00	355.20
600W Type F Element Wi-Fi with Round Cap	Matt Anthracite	8.511	300.00	360.00
900W Type F Element Wi-Fi with Round Cap	Matt Anthracite	8.512	309.00	370.80
1200W Type F Element Wi-Fi with Round Cap	Matt Anthracite	8.513	315.00	378.00
Spare Remote Controller for Type F Element		8.319	63.00	75.60
Fluid filling for above rail (electric only)*	-	FF	117.00	140.40

*(not including appropriate element). I.P. rating 54. (Zone 2 and 3)
Please note all fluid filled rails are special order and are **non-returnable**.

Element Type F Wi-Fi With Round Cap - Chrome

Description	Colour	Code	£ Ex VAT	£ Inc VAT
150W Type F Element Wi-Fi with Round Cap	Chrome	8.499	281.00	337.20
300W Type F Element Wi-Fi with Round Cap	Chrome	8.500	287.00	344.40
600W Type F Element Wi-Fi with Round Cap	Chrome	8.501	291.00	349.20
900W Type F Element Wi-Fi with Round Cap	Chrome	8.502	295.00	354.00
1200W Type F Element Wi-Fi with Round Cap	Chrome	8.503	301.00	361.20
Spare Remote Controller for Type F Element		8.319	63.00	75.60
Fluid filling for above rail (electric only)*	-	FF	117.00	140.40

*(not including appropriate element). I.P. rating 54. (Zone 2 and 3)
Please note all fluid filled rails are special order and are **non-returnable**.

FEATURES

- Wi-Fi & App Control.
- Comes with remote control, that acts as ambient temperature sensor.
- Turbo boost function.
- Off season heating.
- Cable connection cover included.
- Anti-Freeze function.
- Daily & weekly programmable.
- Low running costs, towel drying.
- Smooth temperature adjustment (10°C - 65°C)
- Thermostat can control either water temperature or ambient room temperature.
- Open window detection .
- Anti-Freeze function.
- Eco Design ready

TECHNICAL INFORMATION

For an all electric towel rail/radiator, fluid filling must be purchased. Electric only elements will be fitted RH side unless otherwise specified. **Suitable for electric only installation.**

WI-FI SMARTPHONE APPLICATION

Your WIFI Element has the option of programming the air temperature in the daily and weekly cycles and meets the requirements of the EcoDesign Directive (Lot 20) is compatible with the EcoDirective 2018 for electric elements.

Model is distinguished by modern design, equipped with an electronic controller with an LED display. Additionally, the model is equipped with a cover covering the electrical connection.

Download the "SUPLA" app from Google Play Store or Apple App Store.

Video instructions for the smartphone app available on our website.

Wi-Fi
2.4 GHz

Matt Black

Element Type F Wi-Fi With Round Cap - Matt Black

Description	Colour	Code	£ Ex VAT	£ Inc VAT
150W Type F Element Wi-Fi with Round Cap	Matt Black	8.514	290.00	348.00
300W Type F Element Wi-Fi with Round Cap	Matt Black	8.515	296.00	355.20
600W Type F Element Wi-Fi with Round Cap	Matt Black	8.516	300.00	360.00
900W Type F Element Wi-Fi with Round Cap	Matt Black	8.517	309.00	370.80
1200W Type F Element Wi-Fi with Round Cap	Matt Black	8.518	315.00	378.00
Spare Remote Controller for Type F Element		8.319	63.00	75.60
Fluid filling for above rail (electric only)*	-	FF	117.00	140.40

*(not including appropriate element). I.P. rating 54. (Zone 2 and 3)
Please note all fluid filled rails are special order and are **non-returnable**.

Elements

Element Type F WiFi With Square Cap - Chrome

Description	Colour	Code	£ Ex VAT	£ Inc VAT
150W Type F Element Wi-Fi with Square Cap	Chrome	8.519	281.00	337.20
300W Type F Element Wi-Fi with Square Cap	Chrome	8.520	287.00	344.40
600W Type F Element Wi-Fi with Square Cap	Chrome	8.521	291.00	349.20
900W Type F Element Wi-Fi with Square Cap	Chrome	8.522	295.00	354.00
1200W Type F Element Wi-Fi with Square Cap	Chrome	8.523	301.00	361.20
Spare Remote Controller for Type F Element		8.319	63.00	75.60
Fluid filling for above rail (electric only)*	-	FF	117.00	140.40

*(not including appropriate element). I.P. rating 54. (Zone 2 and 3)
Please note all fluid filled rails are special order and are **non-returnable**.

FEATURES

- Wi-Fi & App Control.
- Comes with remote control, that acts as ambient temperature sensor.
- Turbo boost function.
- Off season heating.
- Cable connection cover included.
- Anti-Freeze function.
- Daily & weekly programmable.
- Low running costs, towel drying.
- Smooth temperature adjustment (10°C - 65°C)
- Thermostat can control either water temperature or ambient room temperature.
- Open window detection .
- Anti-Freeze function.
- Eco Design ready

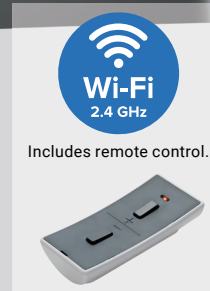
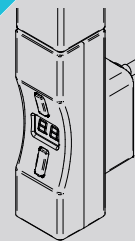
TECHNICAL INFORMATION

For an all electric towel rail/radiator, fluid filling must be purchased. Electric only elements will be fitted RH side unless otherwise specified. **Suitable for electric only installation.**

WATER OR ROOM TEMPERATURE CONTROL



ELEMENT TYPE F WI-FI SQUARE CAP



Chrome

Power	Length (mm)
150W	300
300W	340
600W	390
900W	440
1200W	470

Turbo Boost Function

For vertical installation only. Digital temp control element including remote control.

WI-FI SMARTPHONE APPLICATION

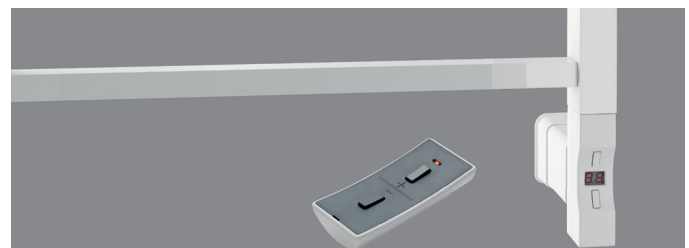
Your WiFi Element has the option of programming the air temperature in the daily and weekly cycles and meets the requirements of the EcoDesign Directive (Lot 20) is compatible with the EcoDirective 2018 for electric elements.



Model is distinguished by modern design, equipped with an electronic controller with an LED display. Additionally, the model is equipped with a cover covering the electrical connection.

Download the "SUPLA" app from [Google Play Store](#) or [Apple App Store](#).

Video instructions for the smartphone app available on our website.

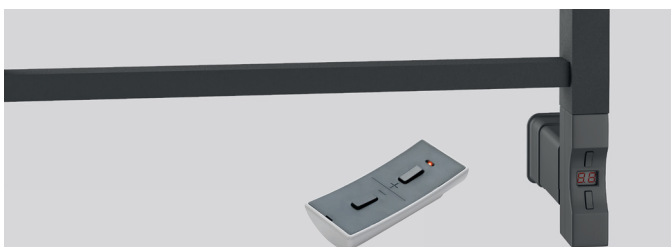


Gloss White

Element Type F WiFi With Square Cap - Gloss White

Description	Colour	Code	£ Ex VAT	£ Inc VAT
150W Type F Element Wi-Fi with Square Cap	Gloss White	8.524	268.00	321.60
300W Type F Element Wi-Fi with Square Cap	Gloss White	8.525	274.00	328.80
600W Type F Element Wi-Fi with Square Cap	Gloss White	8.526	278.00	333.60
900W Type F Element Wi-Fi with Square Cap	Gloss White	8.527	287.00	344.40
1200W Type F Element Wi-Fi with Square Cap	Gloss White	8.528	293.00	351.60
Spare Remote Controller for Type F Element		8.319	63.00	75.60
Fluid filling for above rail (electric only)*	-	FF	117.00	140.40

*(not including appropriate element). I.P. rating 54. (Zone 2 and 3)
Please note all fluid filled rails are special order and are **non-returnable**.



Matt Anthracite

Element Type F WiFi With Square Cap - Matt Anthracite

Description	Colour	Code	£ Ex VAT	£ Inc VAT
150W Type F Element Wi-Fi with Square Cap	Matt Anthracite	8.529	290.00	348.00
300W Type F Element Wi-Fi with Square Cap	Matt Anthracite	8.530	296.00	355.20
600W Type F Element Wi-Fi with Square Cap	Matt Anthracite	8.531	300.00	360.00
900W Type F Element Wi-Fi with Square Cap	Matt Anthracite	8.532	309.00	370.80
1200W Type F Element Wi-Fi with Square Cap	Matt Anthracite	8.533	315.00	378.00
Spare Remote Controller for Type F Element		8.319	63.00	75.60
Fluid filling for above rail (electric only)*	-	FF	117.00	140.40

*(not including appropriate element). I.P. rating 54. (Zone 2 and 3)
Please note all fluid filled rails are special order and are **non-returnable**.



Matt Black

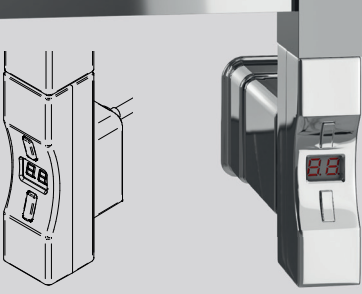
Element Type F WiFi With Square Cap - Matt Black

Description	Colour	Code	£ Ex VAT	£ Inc VAT
150W Type F Element Wi-Fi with Square Cap	Matt Black	8.534	290.00	348.00
300W Type F Element Wi-Fi with Square Cap	Matt Black	8.535	296.00	355.20
600W Type F Element Wi-Fi with Square Cap	Matt Black	8.536	300.00	360.00
900W Type F Element Wi-Fi with Square Cap	Matt Black	8.537	309.00	370.80
1200W Type F Element Wi-Fi with Square Cap	Matt Black	8.538	315.00	378.00
Spare Remote Controller for Type F Element		8.319	63.00	75.60
Fluid filling for above rail (electric only)*	-	FF	117.00	140.40

*(not including appropriate element). I.P. rating 54. (Zone 2 and 3)
Please note all fluid filled rails are special order and are **non-returnable**.

Elements

ELEMENT TYPE G WITH SQUARE CAP **WATER TEMPERATURE CONTROL**



Chrome

Power	Length (mm)
150W	300
300W	340
600W	390
900W	440
1200W	470

Turbo Boost Function

For vertical installation only. Digital temp control element.

Gloss White

Element Type G With Square Cap - Gloss White

Description	Colour	Code	£ Ex VAT	£ Inc VAT
150W Type G Element with Square Cap	Gloss White	8.459	153.00	183.60
300W Type G Element with Square Cap	Gloss White	8.460	158.00	189.60
600W Type G Element with Square Cap	Gloss White	8.461	168.00	201.60
900W Type G Element with Square Cap	Gloss White	8.462	172.00	206.40
1200W Type G Element with Square Cap	Gloss White	8.463	176.00	211.20
Fluid filling for above rail (electric only)*	-	FF	117.00	140.40

*(not including appropriate element). I.P. rating 54. (Zone 2 and 3)
Please note all fluid filled rails are special order and are **non-returnable**.

Matt Anthracite

Element Type G With Square Cap - Matt Anthracite

Description	Colour	Code	£ Ex VAT	£ Inc VAT
150W Type G Element with Square Cap	Matt Anthracite	8.469	176.00	211.20
300W Type G Element with Square Cap	Matt Anthracite	8.470	181.00	217.20
600W Type G Element with Square Cap	Matt Anthracite	8.471	191.00	229.20
900W Type G Element with Square Cap	Matt Anthracite	8.472	196.00	235.20
1200W Type G Element with Square Cap	Matt Anthracite	8.473	201.00	241.20
Fluid filling for above rail (electric only)*	-	FF	117.00	140.40

*(not including appropriate element). I.P. rating 54. (Zone 2 and 3)
Please note all fluid filled rails are special order and are **non-returnable**.

Element Type G With Square Cap - Chrome

Description	Colour	Code	£ Ex VAT	£ Inc VAT
150W Type G Element with Square Cap	Chrome	8.454	162.00	194.40
300W Type G Element with Square Cap	Chrome	8.455	168.00	201.60
600W Type G Element with Square Cap	Chrome	8.456	176.00	211.20
900W Type G Element with Square Cap	Chrome	8.457	185.00	222.00
1200W Type G Element with Square Cap	Chrome	8.458	191.00	229.20
Fluid filling for above rail (electric only)*	-	FF	117.00	140.40

*(not including appropriate element). I.P. rating 54. (Zone 2 and 3)
Please note all fluid filled rails are special order and are **non-returnable**.

FEATURES

- Timer 1-9 hour
- Turbo boost function
- Off season heating
- Cable connection cover included
- Anti-Freeze function
- Maintains previously selected temperature for a period of 1-9 hours
- Low running costs, towel drying
- Smooth temperature adjustment (10°C to 65°C)
- Water temperature controlled Thermostat

TECHNICAL INFORMATION

For an all electric towel rail/radiator, fluid filling must be purchased. Electric only elements will be fitted RH side unless otherwise specified. **Suitable for electric only installation.**

Matt White

Element Type G With Square Cap - Matt White

Description	Colour	Code	£ Ex VAT	£ Inc VAT
150W Type G Element with Square Cap	Matt White	8.464	176.00	211.20
300W Type G Element with Square Cap	Matt White	8.465	181.00	217.20
600W Type G Element with Square Cap	Matt White	8.466	191.00	229.20
900W Type G Element with Square Cap	Matt White	8.467	196.00	235.20
1200W Type G Element with Square Cap	Matt White	8.468	201.00	241.20
Fluid filling for above rail (electric only)*	-	FF	117.00	140.40

*(not including appropriate element). I.P. rating 54. (Zone 2 and 3)
Please note all fluid filled rails are special order and are **non-returnable**.

Matt Black

Element Type G With Square Cap - Matt Black

Description	Colour	Code	£ Ex VAT	£ Inc VAT
150W Type G Element with Square Cap	Matt Black	8.474	176.00	211.20
300W Type G Element with Square Cap	Matt Black	8.475	181.00	217.20
600W Type G Element with Square Cap	Matt Black	8.476	191.00	229.20
900W Type G Element with Square Cap	Matt Black	8.477	196.00	235.20
1200W Type G Element with Square Cap	Matt Black	8.478	201.00	241.20
Fluid filling for above rail (electric only)*	-	FF	117.00	140.40

*(not including appropriate element). I.P. rating 54. (Zone 2 and 3)
Please note all fluid filled rails are special order and are **non-returnable**.

All Eastbrook fluid filled rails are filled with Fernox HP-5.

With over 40 years experience and continual investment in research and development, Fernox water treatment products are manufactured to the highest quality, reliability and performance. Fernox HP-5 is a pre-blended heat transfer fluid which gives a frost protection down to -5°C. It also provides long-term protection from damage caused by corrosion, limescale and bacteria and maintains a stable pH across a range of operational temperatures.

FEATURES - FERNOX

- Anti-cavitation (lower noise)
- Better heat transfer
- Anti-corrosion properties
- Anti-freeze



WATER OR ROOM TEMPERATURE CONTROL

FEATURES

- Turbo boost function (full heating for a set period 1, 2 or 3 hours)
- Off season heating
- Anti-Freeze function
- Low running costs
- Eco Design ready
- Smooth temperature adjustment (10°C to 65°C)
- Comes with remote control, that acts as ambient temperature sensor
- Thermostat can control either water temperature or ambient room temperature
- Can be fitted on LH or RH side by 180°C rotating thermostat

TECHNICAL INFORMATION

For an all electric towel rail/radiator, fluid filling must be purchased. Electric only elements will be fitted RH side unless otherwise specified. **Only suitable with Chrome T-Piece - 8.901 & Chrome Elbow - 41.3003.**

Element Type H Horizontal - Chrome

Description	Colour	Code	£ Ex VAT	£ Inc VAT
300W Type H Element Horizontal**	Chrome	8.554	288.00	345.60
600W Type H Element Horizontal**	Chrome	8.555	293.00	351.60
900W Type H Element Horizontal**	Chrome	8.556	297.00	356.40
1200W Type H Element Horizontal**	Chrome	8.557	302.00	362.40
Fluid filling for above rail (electric only)*	-	FF	117.00	140.40

Element Type H Horizontal - Matt Anthracite

Description	Colour	Code	£ Ex VAT	£ Inc VAT
300W Type H Element Horizontal**	Matt Anthracite	8.544	284.00	340.80
600W Type H Element Horizontal**	Matt Anthracite	8.545	288.00	345.60
900W Type H Element Horizontal**	Matt Anthracite	8.546	293.00	351.60
1200W Type H Element Horizontal**	Matt Anthracite	8.547	297.00	356.40
Fluid filling for above rail (electric only)*	-	FF	117.00	140.40

*(not including appropriate element, for all colours). I.P. rating 54. (Zone 2 and 3) Please note all fluid filled rails are special order and are **non-returnable**.

**Available February 2023

ELEMENT TYPE H HORIZONTAL

Power	Length (mm)
300W	340
600W	390
900W	440
1200W	470



Element Type H Horizontal - Gloss White

Description	Colour	Code	£ Ex VAT	£ Inc VAT
300W Type H Element Horizontal**	Gloss White	8.539	265.00	318.00
600W Type H Element Horizontal**	Gloss White	8.540	269.00	322.80
900W Type H Element Horizontal**	Gloss White	8.541	274.00	328.80
1200W Type H Element Horizontal**	Gloss White	8.542	278.00	333.60
Fluid filling for above rail (electric only)*	-	FF	117.00	140.40

Element Type H Horizontal - Matt Black

Description	Colour	Code	£ Ex VAT	£ Inc VAT
300W Type H Element Horizontal**	Matt Black	8.549	284.00	340.80
600W Type H Element Horizontal**	Matt Black	8.550	288.00	345.60
900W Type H Element Horizontal**	Matt Black	8.551	293.00	351.60
1200W Type H Element Horizontal**	Matt Black	8.552	297.00	356.40
Fluid filling for above rail (electric only)*	-	FF	117.00	140.40

WATER OR ROOM TEMPERATURE CONTROL

FEATURES

- Turbo boost function (full heating for a set period 1, 2 or 3 hours)
- Off season heating
- Anti-Freeze function
- Low running costs
- Eco Design ready
- Smooth temperature adjustment (10°C to 65°C)
- Wi-Fi & App Control
- Comes with remote control, that acts as ambient temperature sensor
- Thermostat can control either water temperature or ambient room temperature
- Can be fitted on LH or RH side by 180°C rotating thermostat

TECHNICAL INFORMATION

For an all electric towel rail/radiator, fluid filling must be purchased. Electric only elements will be fitted RH side unless otherwise specified. **Only suitable with Chrome T-Piece - 8.901 & Chrome Elbow - 41.3003.**

Element Type H Wi-Fi Horizontal - Chrome

Description	Colour	Code	£ Ex VAT	£ Inc VAT
300W Type H Element Wi-Fi Horizontal**	Chrome	8.574	324.00	388.80
600W Type H Element Wi-Fi Horizontal**	Chrome	8.575	328.00	393.60
900W Type H Element Wi-Fi Horizontal**	Chrome	8.576	333.00	399.60
1200W Type H Element Wi-Fi Horizontal**	Chrome	8.577	337.00	404.40
Fluid filling for above rail (electric only)*	-	FF	117.00	140.40

Element Type H Wi-Fi Horizontal - Matt Anthracite

Description	Colour	Code	£ Ex VAT	£ Inc VAT
300W Type H Element Wi-Fi Horizontal**	Matt Anthracite	8.564	319.00	382.80
600W Type H Element Wi-Fi Horizontal**	Matt Anthracite	8.565	324.00	388.80
900W Type H Element Wi-Fi Horizontal**	Matt Anthracite	8.566	328.00	393.60
1200W Type H Element Wi-Fi Horizontal**	Matt Anthracite	8.567	333.00	399.60
Fluid filling for above rail (electric only)*	-	FF	117.00	140.40

ELEMENT TYPE H WI-FI HORIZONTAL

Power	Length (mm)
300W	340
600W	390
900W	440
1200W	470



Element Type H Wi-Fi Horizontal - Gloss White

Description	Colour	Code	£ Ex VAT	£ Inc VAT
300W Type H Element Wi-Fi Horizontal**	Gloss White	8.559	300.00	360.00
600W Type H Element Wi-Fi Horizontal**	Gloss White	8.560	305.00	366.00
900W Type H Element Wi-Fi Horizontal**	Gloss White	8.561	309.00	370.80
1200W Type H Element Wi-Fi Horizontal**	Gloss White	8.562	314.00	376.80
Fluid filling for above rail (electric only)*	-	FF	117.00	140.40

Element Type H Wi-Fi Horizontal - Matt Black

Description	Colour	Code	£ Ex VAT	£ Inc VAT
300W Type H Element Wi-Fi Horizontal**	Matt Black	8.569	319.00	382.80
600W Type H Element Wi-Fi Horizontal**	Matt Black	8.570	324.00	388.80
900W Type H Element Wi-Fi Horizontal**	Matt Black	8.571	328.00	393.60
1200W Type H Element Wi-Fi Horizontal**	Matt Black	8.572	333.00	399.60
Fluid filling for above rail (electric only)*	-	FF	117.00	140.40

*(not including appropriate element, for all colours). I.P. rating 54. (Zone 2 and 3) Please note all fluid filled rails are special order and are **non-returnable**.

**Available February 2023

WI-FI SMARTPHONE APPLICATION

Your WiFi Element has the option of programming the air temperature in the daily and weekly cycles and meets the requirements of the EcoDesign Directive (Lot 20) is compatible with the EcoDirective 2018 for electric elements.

Download the **"SUPLA"** app from **Google Play Store** or **Apple App Store**. Video instructions for the smartphone app available on our website.

Thermostatic Valves

Straight Thermostatic Valves

12.043



Biava 15mm TRV & Lockshield - Chrome

Code	£ Ex VAT	£ Inc VAT
12.043	51.00	61.20

12.048



Biava 15mm TRV & Lockshield - Chrome/White

Code	£ Ex VAT	£ Inc VAT
12.048	41.00	49.20

41.3020



15mm TRV & Lockshield - Matt White

Code	£ Ex VAT	£ Inc VAT
41.3020	47.00	56.40

41.3026*



15mm TRV & Lockshield - Matt Grey

Code	£ Ex VAT	£ Inc VAT
41.3026	57.00	68.40

41.3028*



15mm TRV & Lockshield - Matt Cappuccino

Code	£ Ex VAT	£ Inc VAT
41.3028	57.00	68.40

41.3021



15mm TRV & Lockshield - Matt Anthracite

Code	£ Ex VAT	£ Inc VAT
41.3021	47.00	56.40

Straight Thermostatic Valves

41.3022



15mm TRV & Lockshield - Matt Black

Code	£ Ex VAT	£ Inc VAT
41.3022	47.00	56.40

41.3035 New Colour

Available February 2023



15mm TRV & Lockshield - Brushed Brass

Code	£ Ex VAT	£ Inc VAT
41.3035	65.00	78.00

Angled Thermostatic Valves

12.041



Biava 15mm TRV & Lockshield - Chrome

Code	£ Ex VAT	£ Inc VAT
12.041	51.00	61.20

12.047



Biava 15mm TRV & Lockshield - Chrome/White

Code	£ Ex VAT	£ Inc VAT
12.047	41.00	49.20

41.3023



15mm TRV & Lockshield - Matt White

Code	£ Ex VAT	£ Inc VAT
41.3023	44.00	52.80

41.3027



15mm TRV & Lockshield - Matt Grey

Code	£ Ex VAT	£ Inc VAT
41.3027	53.00	63.60

FEATURES (STRAIGHT & ANGLED)

- 15mm straight models
- Approved to EN215
- Produced to ISO 9001: - 2008
- Energy saving - lower fuel bills
- Controls individual radiators to allow varying comfort levels throughout the home
- Reversible tail piece facilitates vertical or horizontal installation
- Luxury gloss white, matt white, matt grey, matt cappuccino, matt black, brushed nickel and chrome finishes
- 2 Year warranty with conditions

All straight TRV's are BI-DIRECTIONAL

All angled TRV's are BI-DIRECTIONAL


TECHNICAL INFORMATION

On all TRV's, due to different materials used, there can be a slight difference between the parts colours. The numbers on the TRV heads do not represent specific room temperatures as the temperature at which the valve operates depends on the water temperature flowing through the radiator, airflow around the head of the TRV, the room size and any heat loss in that space through walls, windows and floors.

Thermostatic Valves

Angled Thermostatic Valves

41.3029*



15mm TRV & Lockshield - Matt Cappuccino

Code	£ Ex VAT	£ Inc VAT
41.3029	53.00	63.60

41.3024



15mm TRV & Lockshield - Matt Anthracite

Code	£ Ex VAT	£ Inc VAT
41.3024	44.00	52.80

41.3025




15mm TRV & Lockshield - Matt Black

Code	£ Ex VAT	£ Inc VAT
41.3025	44.00	52.80

Angled Thermostatic Valves

41.3036 New Colour

Available February 2023




15mm TRV & Lockshield - Brushed Brass

Code	£ Ex VAT	£ Inc VAT
41.3036	65.00	78.00

Corner Thermostatic Valves

12.045



15mm TRV & Lockshield - Chrome

Code	£ Ex VAT	£ Inc VAT
12.045	51.00	61.20


12.035



15mm TRV & Lockshield - Nickel/White

Code	£ Ex VAT	£ Inc VAT
12.035	43.00	51.60


12.049



15mm TRV & Lockshield - Chrome/White

Code	£ Ex VAT	£ Inc VAT
12.049	41.00	49.20

12.053



15mm TRV & Lockshield - Matt White

Code	£ Ex VAT	£ Inc VAT
12.053	72.00	86.40

12.054



15mm TRV & Lockshield - Matt Grey

Code	£ Ex VAT	£ Inc VAT
12.054	72.00	86.40

12.055



15mm TRV & Lockshield - Matt Cappuccino

Code	£ Ex VAT	£ Inc VAT
12.055	76.00	91.20

12.056



15mm TRV & Lockshield - Matt Anthracite

Code	£ Ex VAT	£ Inc VAT
12.056	72.00	86.40

12.057



15mm TRV & Lockshield - Matt Black

Code	£ Ex VAT	£ Inc VAT
12.057	72.00	86.40

41.3037 New Colour

Available February 2023



15mm TRV & Lockshield - Brushed Brass

Code	£ Ex VAT	£ Inc VAT
41.3037	76.00	91.20

FEATURES (CORNER VALVES)

- 15mm corner models
- Approved to EN215
- Produced to ISO 9001: - 2008
- Energy saving - lower fuel bills
- Controls individual radiators to allow varying comfort levels throughout the home
- Reversible tail piece facilitates vertical or horizontal installation
- Luxury gloss white, matt white, matt grey, matt cappuccino, matt black, brushed nickel and chrome finishes
- 2 Year warranty*

* With conditions

TECHNICAL INFORMATION

**Due to different materials used, there can be a slight difference between the parts colours.

The Corner TRV can **only** be fitted RH if fitting on bottom connection or LH if fitting on side connection.

Shower Bundles



Bundle 7

Description	Code	£ Ex VAT	£ Inc VAT
Concealed valve, rectangular shower head, square shower arm & luxury shower shelf.	BND007	906.00	1087.20

Bundle Components

• 68.0003 x1	• 68.0012 x3	• 78.0023 x1
• 68.0024 x1	• 78.0020 x1	• 78.0005 x1



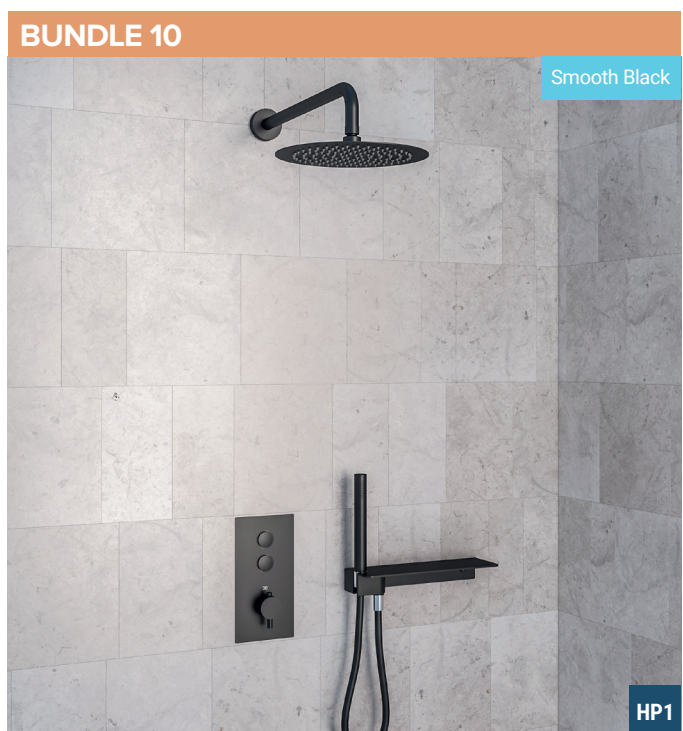
Bundle 14

Description	Code	£ Ex VAT	£ Inc VAT
Thermostatic concealed shower valve, round fixed over head shower arm, shower head, shower hand set, shower hose, round wall elbow & shower handset holder.	BND014	251.00	301.20

Bundle Components

• 60.1007 x1	• 60.1009 x1	• 60.1012 x1
• 60.1008 x1	• 60.1011 x1	• 60.1013 x1

* Available February 2023



Bundle 10

Description	Code	£ Ex VAT	£ Inc VAT
Concealed push button valve, luxury shower shelf, round shower head & round shower arm	BND010	723.00	867.60

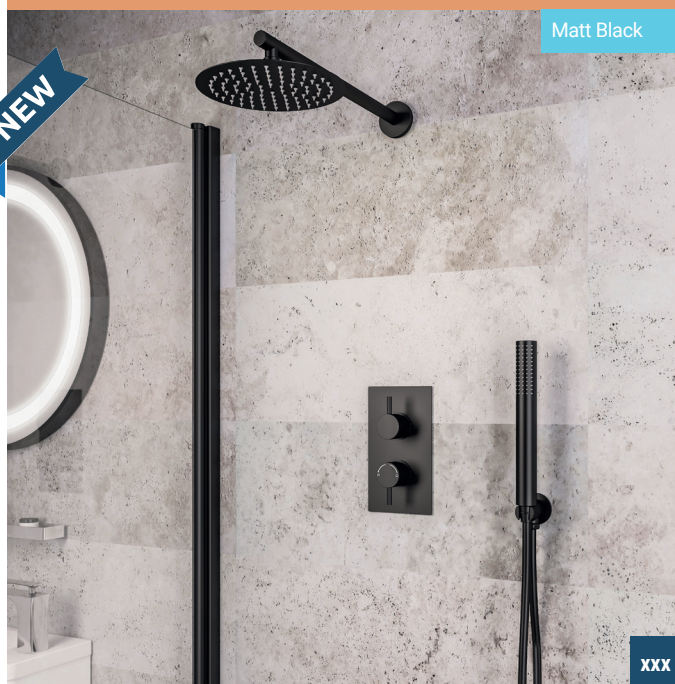
Bundle Components

• 93.0091 x1	• 78.0046 x1
• 78.0048 x1	• 93.0094 x1

Shower Bundles

BUNDLE 15

Matt Black



XXX

Bundle 11

Description	Code	£ Ex VAT	£ Inc VAT
Thermostatic concealed shower valve, round fixed over head shower arm, shower head, shower hand set, shower hose, round wall elbow & shower handset holder.	BND015	270.00	324.00

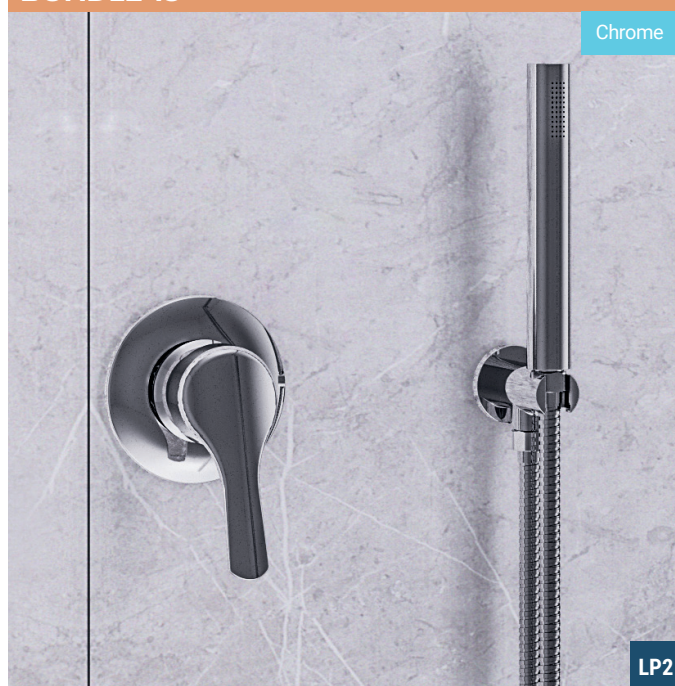
Bundle Components

- 60.1014 x1
- 60.1015 x1
- 60.1016 x1
- 60.1017 x1
- 60.1018 x1
- 60.1019 x1

* Available February 2023

BUNDLE 13

Chrome



LP2

Bundle 13

Description	Code	£ Ex VAT	£ Inc VAT
Concealed manual valve, round outlet elbow with shower holder, shower hose & round round shower handset	BND013	238.00	285.60

Bundle Components

- 68.0056 x1
- 68.0007 x1
- 78.0040 x1
- 93.0106 x1

BUNDLE 09

Chrome / White



HP1

Bundle 09

Description	Code	£ Ex VAT	£ Inc VAT
Traditional concealed valve, round shower head, swivel shower arm, shower hose, round outlet elbow & shower handset	BND009	788.00	945.60

Bundle Components

- 68.0002 x1
- 68.0007 x1
- 68.0028 x1
- 68.0029 x1
- 93.0048 x1
- 93.0069 x1
- 98.0009 x1
- 93.0101 x1
- 97.0007 x1
- 93.0063 x1

Shower Bundles

BUNDLE 16

Brushed Brass



HP1

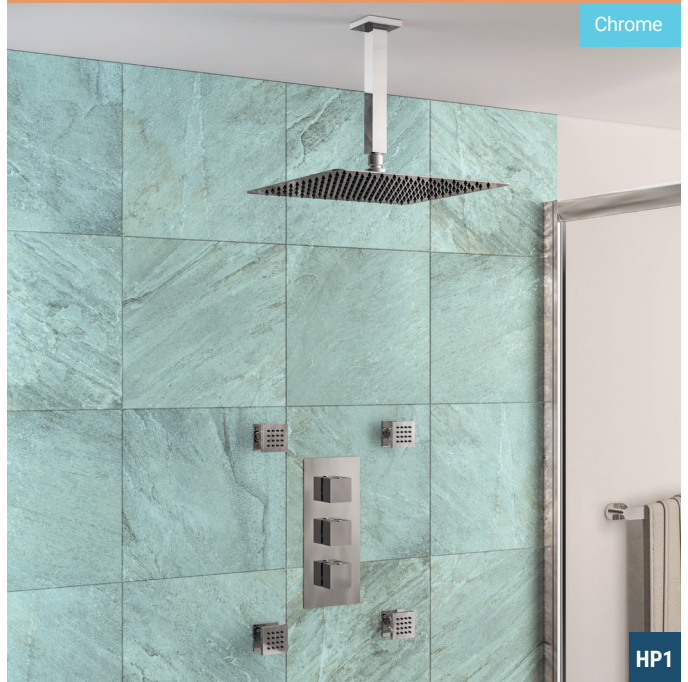
Description	Code	£ Ex VAT	£ Inc VAT
Thermostatic concealed shower valve, round fixed overhead shower arm, shower head, shower hand set, shower hose, round wall elbow & shower handset holder.	BND016	278.00	333.60

Bundle Components

• 60.1021 x1	• 60.1023 x3	• 60.1025 x1
• 60.1022 x1	• 60.1024 x1	• 60.1026 x1

BUNDLE 06

Chrome



HP1

Description	Code	£ Ex VAT	£ Inc VAT
Concealed valve, rectangular shower head, square body jets & square shower arm	BND006	833.00	999.60

Bundle Components

• 68.0003 x1	• 68.0046 x3	• 78.0004 x1
• 68.0024 x1	• 78.0010 x1	• 78.0031 x4

BUNDLE 17

Chrome



HP1

Description	Code	£ Ex VAT	£ Inc VAT
Thermostatic concealed shower valve, square fixed overhead shower arm, shower head, shower hand set, shower hose, square wall elbow & shower handset holder.	BND017	259.00	310.80

Bundle Components

• 60.1027 x1	• 60.1029 x3	• 60.1032 x1
• 60.1028 x1	• 60.1031 x1	• 60.1033 x1

Shower Bundles



Smooth Black

HP1

Bundle 12			
Description	Code	£ Ex VAT	£ Inc VAT
Concealed push button valve, round slide rail kit & round outlet elbow	BND012	328.00	393.60
Bundle Components			
• 93.0090 x1	• 93.0096 x1		
• 93.0099 x1			



Brushed Brass

NEW

HP1

Bundle 19			
Description	Code	£ Ex VAT	£ Inc VAT
Thermostatic concealed shower valve, square fixed over head shower arm, shower head, shower hand set, shower hose, square wall elbow & shower handset holder.	BND019	285.00	342.00
Bundle Components			
• 60.1041 x1	• 60.1043 x3	• 60.1045 x1	
• 60.10242 x1	• 60.1044 x1	• 60.1046 x1	



Matt Black

NEW

HP1

Bundle 18			
Description	Code	£ Ex VAT	£ Inc VAT
Thermostatic concealed shower valve, square fixed over head shower arm, shower head, shower hand set, shower hose, square wall elbow & shower handset holder.	BND018	277.00	332.40
Bundle Components			
• 60.1034 x1	• 60.1036 x3	• 60.1038 x1	
• 60.1035 x1	• 60.1037 x1	• 60.1039 x1	

* Available February 2023

* Available February 2023

Shower Valves

MODERN THERMOSTATIC TWO WAY CONCEALED SHOWER VALVE

Modern twist-lever flow controlled shower valves for easy operation and minimalist appearance. Available in twin outlets for overhead showering and handsets.



Modern Round Thermostatic Two Way Concealed Shower Valve - Chrome

Round Concealed Valve - Chrome			
Description	Code	£ Ex VAT	£ Inc VAT
Round Concealed Valve	60.1009	181.00	217.20
Pressure	MP (0.5 bar minimum)		

* Available February 2023



Modern Round Thermostatic Two Way Concealed Shower Valve - Matt Black

Round Concealed Valve - Matt Black			
Description	Code	£ Ex VAT	£ Inc VAT
Round Concealed Valve	60.1016	190.00	228.00
Pressure	MP (0.5 bar minimum)		

* Available February 2023



Modern Round Thermostatic Two Way Concealed Shower Valve - Brushed Brass

Round Concealed Valve - Matt Black			
Description	Code	£ Ex VAT	£ Inc VAT
Round Concealed Valve	60.1023	191.00	229.20
Pressure	MP (0.5 bar minimum)		

* Available February 2023



Modern Square Thermostatic Two Way Concealed Shower Valve - Chrome

Square Concealed Valve - Chrome			
Description	Code	£ Ex VAT	£ Inc VAT
Square Concealed Valve	60.1029	182.00	218.40
Pressure	MP (0.5 bar minimum)		

* Available February 2023



Modern Square Thermostatic Two Way Concealed Shower Valve - Matt Black

Square Concealed Valve - Matt Black			
Description	Code	£ Ex VAT	£ Inc VAT
Square Concealed Valve	60.1036	190.00	228.00
Pressure	MP (0.5 bar minimum)		

* Available February 2023



Modern Square Thermostatic Two Way Concealed Shower Valve - Brushed Brass

Square Concealed Valve - Brushed Brass			
Description	Code	£ Ex VAT	£ Inc VAT
Square Concealed Valve	60.1043	192.00	230.40
Pressure	MP (0.5 bar minimum)		

* Available February 2023

FEATURES

All shower valves on this page:

- PVD coated brass body
- Ceramic disc cartridge technology
- Thermostatic control
- Anti-scald & override function

Pressure (bar)	Flow (litres/min)
1	11
2	16.2
3	20

Note: At maintained equal inlet pressures with open outlet at mid blend temperature.

MP	- 0.5 bar minimum	HP1	- 1 bar minimum
-----------	-------------------	------------	-----------------

Shower Poles



MP

MP

Modern Round Thermostatic Shower

Description	Code	£ Ex VAT	£ Inc VAT
Chrome	60.1001	224.00	268.80
Matt Black	60.1003	243.00	291.60
Brushed Brass	60.1005	256.00	307.20
Pressure	MP (0.5 bar minimum)		

- PVD coated brass body
- Ceramic disc cartridge technology
- Thermostatic control
- Anti-scald & override function
- Exposed valve has 150mm centres
- Adjustable shower pole height 850mm to 1200mm



MP



MP

MP

Modern Square Thermostatic Shower

Description	Code	£ Ex VAT	£ Inc VAT
Chrome	60.1002	251.00	301.20
Matt Black	60.1004	276.00	331.20
Brushed Brass	60.1006	291.00	349.20
Pressure	MP (0.5 bar minimum)		

- PVD coated brass body
- Ceramic disc cartridge technology
- Thermostatic control
- Anti-scald & override function
- Exposed valve has 150mm centres
- Adjustable shower pole height 850mm to 1200mm



MP

MP - 0.5 bar minimum



HP1 - 1 bar minimum

HP1.5 - 1.5 bar minimum

Shower Handsets

SHOWER HANDSETS

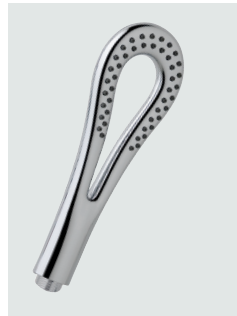
SPRAY TYPES

-  Full Spray
-  Massage
-  Spray/Massage
-  Spray/Misty
-  Oxygenic
-  Misty
-  Dot Massage
-  Water Saving Drizzle
-  Strong Spray
-  Spray/Dot Massage



Minimalist Square Handset		
Code	£ Ex VAT	£ Inc VAT
98.0016	15.00	18.00

- Single function
- Chrome finish



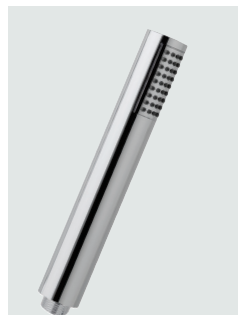
Needle Shower Handset		
Code	£ Ex VAT	£ Inc VAT
97.0018	17.00	20.40

- Single function
- Chrome finish



Type 85 Shower Handset		
Code	£ Ex VAT	£ Inc VAT
97.0011	22.00	26.40

- Single function
- Chrome finish



Type 35 Shower Handset		
Code	£ Ex VAT	£ Inc VAT
97.0021	14.00	16.80

- Single function
- Chrome finish



Type 45 Shower Handset		
Code	£ Ex VAT	£ Inc VAT
97.0023	17.00	20.40

- Single function
- Chrome finish



Type 40 Shower Handset		
Code	£ Ex VAT	£ Inc VAT
97.0022	14.00	16.80

- Single function
- Chrome finish



78.0040



78.0040



Round Shower Handset		
Code	£ Ex VAT	£ Inc VAT
78.0040	54.00	64.80

- Solid brass construction, • Chrome finish
- 2 functions



Type 50 Shower Handset		
Code	£ Ex VAT	£ Inc VAT
97.0024	16.00	19.20

- Single function
- Chrome finish



NEW



* Available February 2023

Modern Round Shower Handset		
Code	£ Ex VAT	£ Inc VAT
60.1031	10.00	1212.00

- Single function
- Chrome finish



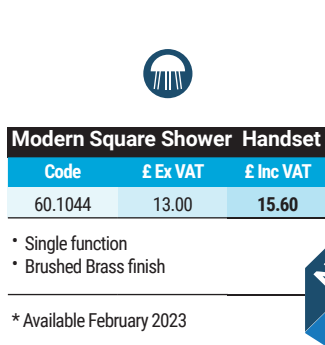
NEW



Modern Round Shower Handset		
Code	£ Ex VAT	£ Inc VAT
60.1024	12.00	14.40

- Single function
- Brushed Brass finish

* Available February 2023



Modern Square Shower Handset		
Code	£ Ex VAT	£ Inc VAT
60.1044	13.00	15.60

- Single function
- Brushed Brass finish

* Available February 2023



NEW

Shower Handsets

SHOWER HANDSETS

SPRAY TYPES

-  Full Spray
-  Massage
-  Spray/Massage
-  Spray/Misty
-  Oxygenic
-  Misty
-  Dot Massage
-  Water Saving Drizzle
-  Strong Spray
-  Spray/Dot Massage



Type 15 Shower Handset		
Code	£ Ex VAT	£ Inc VAT
97.0013	19.00	22.80

- 5 functions
- Chrome finish



Type 60 Shower Handset		
Code	£ Ex VAT	£ Inc VAT
97.0009	20.00	24.00

- 5 functions
- Chrome finish



Type 65 Shower Handset		
Code	£ Ex VAT	£ Inc VAT
97.0016	21.00	25.20

- 5 functions
- Chrome finish



Type 70 Shower Handset		
Code	£ Ex VAT	£ Inc VAT
97.0017	26.00	31.20

- 3 functions
- Chrome finish



Type 75 Shower Handset		
Code	£ Ex VAT	£ Inc VAT
97.0020	27.00	32.40

- 4 functions
- Chrome finish



Type 80 Shower Handset		
Code	£ Ex VAT	£ Inc VAT
97.0019	19.00	22.80

- Single function
- Chrome finish



Traditional Type 10 Shower Handset		
Code	£ Ex VAT	£ Inc VAT
98.0015	26.00	31.20

- Single function
- White & chrome finish
- Traditional design



Round Shower Handset		
Code	£ Ex VAT	£ Inc VAT
78.0039	26.00	31.20

- Solid brass construction
- Single function
- Chrome finish



Traditional Shower Handset		
Code	£ Ex VAT	£ Inc VAT
93.0069	31.00	37.20

- Single function
- White & chrome finish
- Traditional design



Type 90 Shower Handset		
Code	£ Ex VAT	£ Inc VAT
78.0037	98.00	117.60

- Single function
- Brass construction, white & chrome finish
- Ultra thin design



60.1011

Modern Round Shower Handset		
Code	£ Ex VAT	£ Inc VAT
60.1011	8.00	9.69

- Single function
- Chrome finish

* Available February 2023


NEW



Shower Handsets & Hoses

SHOWER HAND SET

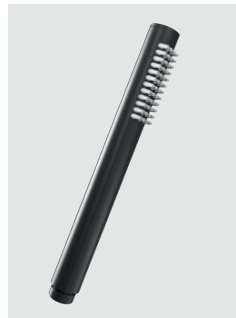
SPRAY TYPES

-  Full Spray
-  Massage
-  Spray/Massage
-  Spray/Misty
-  Oxygenic
-  Misty
-  Dot Massage
-  Water Saving Drizzle
-  Strong Spray
-  Spray/Dot Massage



Type 15 Shower Handset Matt Smooth Black		
Code	£ Ex VAT	£ Inc VAT
78.0054	49.00	58.80

- Single function
- Matt smooth black finish
- Solid brass construction



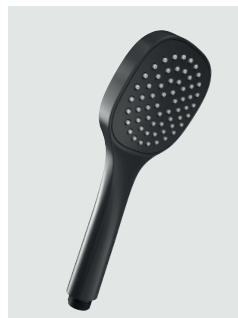
Type 20 Shower Handset Matt Smooth Black		
Code	£ Ex VAT	£ Inc VAT
78.0055	44.00	52.80

- Single function
- Matt smooth black finish
- Solid brass construction



Type 95 Shower Handset Matt Smooth Black		
Code	£ Ex VAT	£ Inc VAT
78.0051	24.00	28.80

- Single function
- Matt smooth black finish



Type 100 Shower Handset Matt Smooth Black		
Code	£ Ex VAT	£ Inc VAT
78.0052	21.00	25.20

- Single function
- Matt smooth black finish



Modern Round shower Handset Matt Black		
Code	£ Ex VAT	£ Inc VAT
60.1017	11.00	13.21

- Single function
- Matt smooth black finish

* Available February 2023



Modern Square shower Handset Matt Black		
Code	£ Ex VAT	£ Inc VAT
60.1037	12.00	14.41

- Single function
- Matt smooth black finish

* Available February 2023

FLEXIBLE SHOWER HOSES

Flexible Shower Hoses			
Description	Code	£ Ex VAT	£ Inc VAT
1.5m Shower Flexible Hose - 8mm Bore	93.0061	15.00	18.00
2m Shower Flexible Hose - 8mm Bore	93.0062	15.00	18.00
1.5m Shower Flexible Hose - 10mm Bore	93.0063	19.00	22.80
2m Shower Flexible Hose - 10mm Bore	93.0064	20.00	24.00
1.5m PVC Shower Hose Matt Smooth Black - 6mm Bore	93.0102	19.00	22.80



93.0061 & 93.0063
8mm & 10mm Bore



60.1013



93.0062 & 93.0064
8mm & 10mm Bore

 10MM BORE
HIGH FLOW RATE

Flexible Shower Hoses			
Description	Code	£ Ex VAT	£ Inc VAT
1.5m PVC Shower Hose Matt Smooth Black - 6mm Bore	93.0102	19.00	22.80
2m PVC Shower Hose Matt Smooth Black - 6mm Bore	93.0103	21.00	25.20
1.5m Modern Flexible Shower Hose - Chrome - 8mm	60.1013	8.00	9.69
1.5m Modern Flexible Shower Hose - Matt Smooth Black - 8mm	60.1019	10.00	12.00
1.5m Modern Flexible Shower Hose - Brushed Brass - 8mm	60.1026	10.00	12.00



93.0102 6mm bore



60.1019



93.0103 6mm bore



60.1026

Elbows & Shower Handset Holder

ELBOWS & SHOWER HANDSET HOLDER



Elbows				
Description	Colour	Code	£ Ex VAT	£ Inc VAT
Round Wall Elbow & ShowerHandset Holder	Chrome	60.1012	18.00	21.60
Square Wall Elbow & ShowerHandset Holder	Chrome	60.1032	19.00	22.80
Round Wall Elbow & ShowerHandset Holder	Matt Black	60.1018	20.00	24.00
Square Wall Elbow & ShowerHandset Holder	Matt Black	60.1038	20.00	24.00
Round Wall Elbow & ShowerHandset Holders	Brushed Brass	60.1025	20.00	24.00
Square Wall Elbow & ShowerHandset Holder	Brushed Brass	60.1045	21.00	25.20

FEATURES

- Solid brass construction

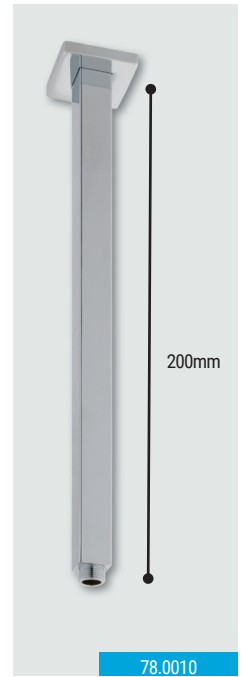
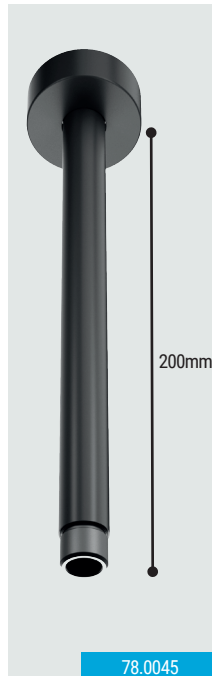
* Available February 2023

Shower Arms

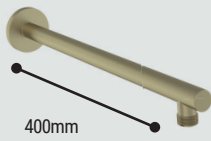
CEILING MOUNTED SHOWER ARMS

Ceiling Mounted Shower Arms

Description	Code	£ Ex VAT	£ Inc VAT
Round Shower Arm 160mm Chrome	93.0114	26.00	31.20
Round Shower Arm 160mm Matt Smooth Black	93.0115	29.00	34.80
Square Shower Arm 200mm Chrome	78.0010	37.00	44.40
Round Shower Arm 200mm Chrome	78.0011	29.00	34.80
Round Shower Arm 200mm Matt Smooth Black	78.0045	35.00	42.00



WALL MOUNTED SHOWER ARMS

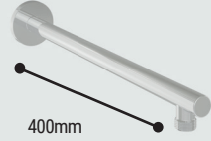


* Available February 2023

Modern Round Fixed Over Head Shower arm

Description	Code	£ Ex VAT	£ Inc VAT
Modern Round Fixed over Head Shower Arm Brushed Brass	60.1021	19.00	22.80

- Outlet to wall 400mm
- Stainless Steel Material, brushed brass finish

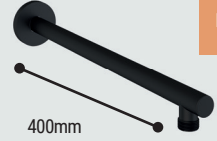


* Available February 2023

Modern Round Fixed Over Head Shower arm

Description	Code	£ Ex VAT	£ Inc VAT
Modern Round Fixed over Head Shower Arm Chrome	60.1007	17.00	20.40

- Outlet to wall 400mm
- Stainless Steel Material, chrome finish

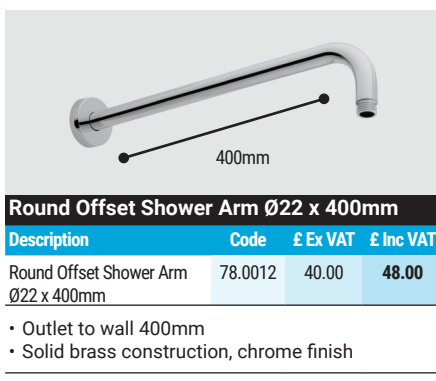


* Available February 2023

Modern Round Fixed Over Head Shower arm

Description	Code	£ Ex VAT	£ Inc VAT
Modern Round Fixed over Head Shower Arm Matt Black	60.1014	18.00	21.62

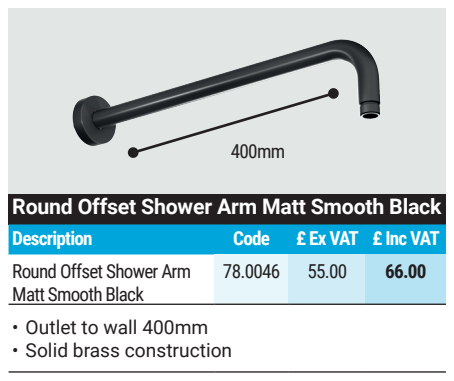
- Outlet to wall 400mm
- Stainless Steel Material, matt black finish



Round Offset Shower Arm Ø22 x 400mm

Description	Code	£ Ex VAT	£ Inc VAT
Round Offset Shower Arm Ø22 x 400mm	78.0012	40.00	48.00

- Outlet to wall 400mm
- Solid brass construction, chrome finish



Round Offset Shower Arm Matt Smooth Black

Description	Code	£ Ex VAT	£ Inc VAT
Round Offset Shower Arm Matt Smooth Black	78.0046	55.00	66.00

- Outlet to wall 400mm
- Solid brass construction



Wall Mounted Arm 200mm

Code	£ Ex VAT	£ Inc VAT
98.0025	22.00	26.40

- Outlet to wall 200mm
- Solid brass construction, chrome finish



Round Wall Arm

Code	£ Ex VAT	£ Inc VAT
78.0022	41.00	49.20

- Outlet to wall 400mm
- Solid brass construction, chrome finish



Wall Mounted Arm 345mm

Code	£ Ex VAT	£ Inc VAT
98.0024	28.00	33.60

- Outlet to wall 345mm
- Solid brass construction, chrome finish

Shower Arms

WALL MOUNTED SHOWER ARMS



NEW

400mm

* Available February 2023

Modern Square Fixed Over Head Shower Arm

Description	Code	£ Ex VAT	£ Inc VAT
Modern Square Wall Arm	60.1027	21.00	25.20

- Outlet to wall 400mm
- Stainless Steel construction, chrome finish

NEW

400mm

* Available February 2023

Modern Square Fixed Over Head Shower Arm

Description	Code	£ Ex VAT	£ Inc VAT
Square Wall Arm	60.1034	22.00	26.40

- Outlet to wall 400mm
- Stainless Steel construction, matt black finish

360mm

Square L Shower Arm Matt Smooth Black

Description	Code	£ Ex VAT	£ Inc VAT
Square L Shower Arm	78.0047	139.00	166.80

- Outlet to wall 360mm
- Solid brass construction

370mm

Square X Shower Arm

Description	Code	£ Ex VAT	£ Inc VAT
Square X Shower Arm	78.0019	119.00	142.80

- Outlet to wall 370mm
- Solid brass construction, chrome finish

360mm

Square Wall Arm

Description	Code	£ Ex VAT	£ Inc VAT
Square Wall Arm	78.0020	88.00	105.60

- Outlet to wall 360mm
- Solid brass construction

NEW

400mm

* Available February 2023

Modern Square Fixed Over Head Shower Arm

Description	Code	£ Ex VAT	£ Inc VAT
Square Wall Arm	60.1041	24.00	28.80

- Outlet to wall 400mm
- Solid brass construction, brushed brass finish

400mm

Square Wall Arm

Description	Code	£ Ex VAT	£ Inc VAT
Square Wall Arm	78.0021	65.00	78.00

- Outlet to wall 400mm
- Solid brass construction, chrome finish

200mm

Square Wall Mounted Arm 200mm

Description	Code	£ Ex VAT	£ Inc VAT
Square Wall Mounted Arm	98.0023	36.00	43.20

- Outlet to wall 200mm
- Solid brass construction, chrome finish

172mm

Shower Arm

Description	Code	£ Ex VAT	£ Inc VAT
Shower Arm	98.0026	59.00	70.80

- Outlet to wall 172mm
- Solid brass construction, chrome finish

402mm

Swivel Shower Arm Chrome

Description	Code	£ Ex VAT	£ Inc VAT
Swivel Shower Arm Chrome	93.0101	68.00	81.60

- Solid brass construction, chrome finish
- Outlet to wall 402mm

Choose your shower arm from above and then see pages 848-850 for compatible shower heads.

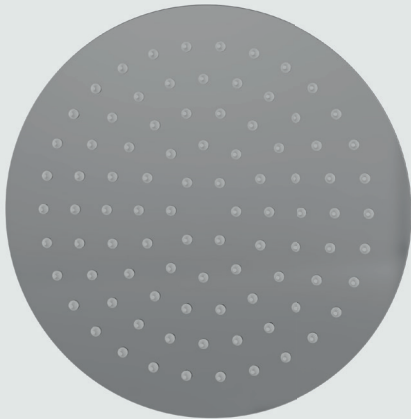
93.0101 & 98.0009

Shower Heads

SHOWER HEADS - CHROME

* Available February 2023

NEW



ø200mm

60.1008

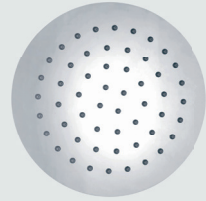
Shower Head Chrome Finish

Description	Code	£ Ex VAT	£ Inc VAT
8" Round shower head	78.0001	79.00	94.80
8" Square shower head	78.0003	86.00	103.20
8" Round Fixed Over Head Shower Head	60.1008	22.00	26.40
8" Square Fixed Over Head Shower Head	60.1028	22.00	26.40



ø200mm

78.0001

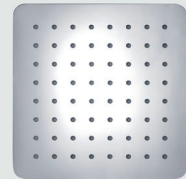


MP



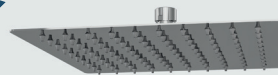
200 x 200mm

78.0003



MP

NEW



200 x 200mm

60.1028

* Available February 2023



MP

FEATURES

- Stainless steel one piece construction
- Polished (chrome effect) finish
- Rainfall outlet
- 4mm thickness

Pressure

MP (0.5 bar minimum)

SHOWER HEADS - CHROME



Shower Heads Chrome Finish

Description	Code	£ Ex VAT	£ Inc VAT
12" Round shower head	78.0002	175.00	210.00
12" Square shower head	78.0004	194.00	232.80
8" x 12" Rectangle shower head	78.0005	151.00	181.20

FEATURES

- Stainless steel one piece construction
- Polished (chrome effect) finish
- Rainfall outlet
- 4mm thickness

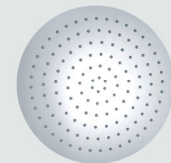
Pressure

MP (0.5 bar minimum)



ø300mm

78.0002

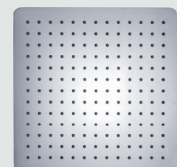


MP



300 x 300mm

78.0004

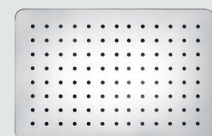


MP



300 x 200mm

78.0005

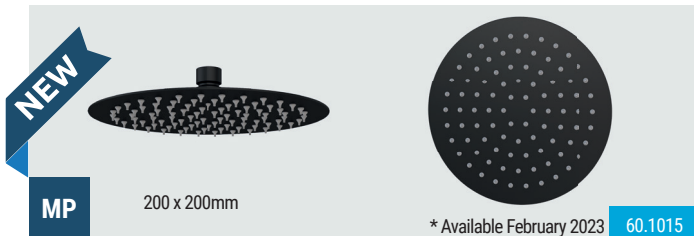
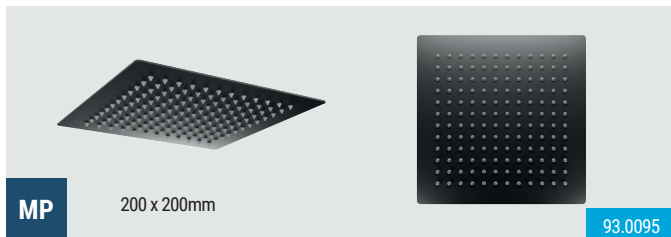
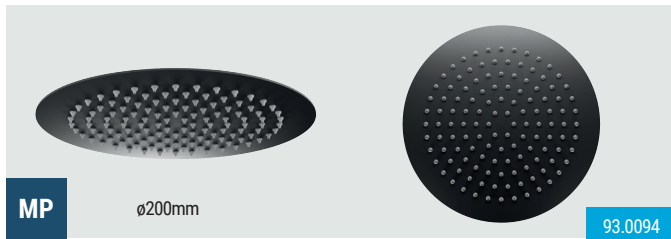


MP

MP

- 0.5 bar minimum

Shower Heads



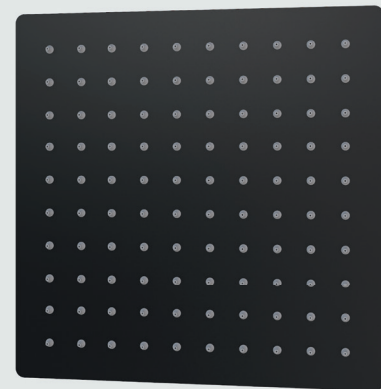
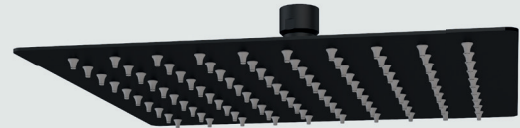
FEATURES

- Brass construction
- Matt smooth black finish
- Rainfall outlet

Pressure MP (0.5 bar minimum)

SHOWER HEADS - SMOOTH BLACK

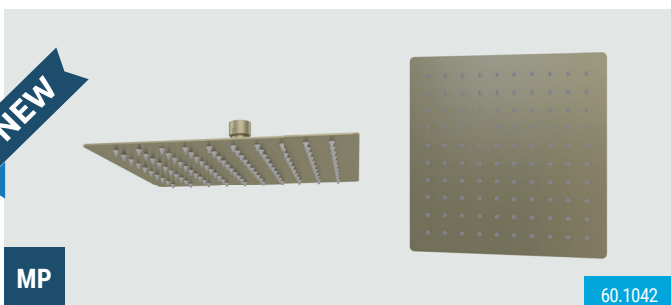
* Available February 2023



MP 200 x 200mm 60.1035

Shower Head Smooth Black Finish

Description	Code	£ Ex VAT	£ Inc VAT
8" Round Shower Head - Smooth Black	93.0094	80.00	96.00
8" Square Shower Head - Smooth Black	93.0095	86.00	103.20
8" Round Fixed Over Head Shower Head - Smooth Black	60.1015	24.00	28.80
8" Square Fixed Over Head Shower Head - Smooth Black	60.1035	26.00	31.20



Shower Heads Brushed Brass Finish

Description	Code	£ Ex VAT	£ Inc VAT
8" Round Fixed Over Head Shower Head - Brushed Brass	60.1022	28.00	33.60
8" Square Fixed Over Head Shower Head - Brushed Brass	60.1042	28.00	33.60

FEATURES

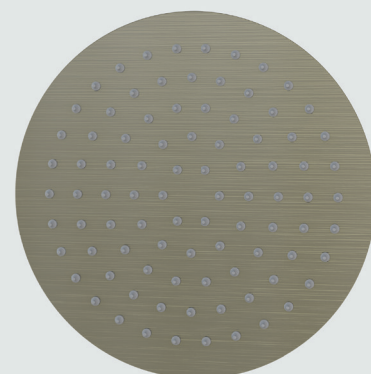
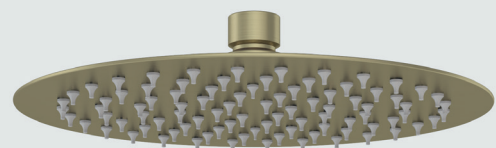
- PDV coated finish
- Brushed Brass finish
- Rainfall outlet

Pressure MP (0.5 bar minimum)

* Available February 2023

MP - 0.5 bar minimum

SHOWER HEADS - BRUSHED BRASS



MP ø200mm 60.1022

Abberton Range

ABBERTON RANGE

Available
February
2023

NEW



79.1034



79.1033

Abberton Basin Taps - Chrome

Description	Code	£ Ex VAT	£ Inc VAT
Abberton Mini Basin Mono with Waste	79.1031	75.00	90.00
Abberton Basin Mono with Waste	79.1034	83.00	99.60

* Available February 2023

Abberton Basin Taps - Black

Description	Code	£ Ex VAT	£ Inc VAT
Abberton Mini Basin Mono with Waste	79.1032	80.00	96.00
Abberton Basin Mono with Waste	79.1035	88.00	105.60

* Available February 2023

Abberton Basin Taps - Brushed Brass

Description	Code	£ Ex VAT	£ Inc VAT
Abberton Mini Basin Mono with Waste	79.1033	84.00	100.80
Abberton Basin Mono with Waste	79.1036	93.00	111.60

* Available February 2023

HP1

NEW



79.1031

HP1

NEW



79.1032

HP1

NEW



79.1033

MP

NEW



79.1034

MP

NEW



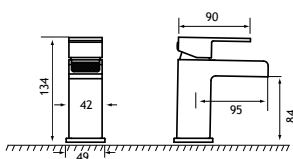
79.1035

MP

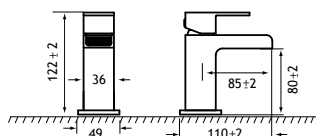
NEW



79.1036



79.1034 - 79.1035 - 79.1036



79.1031 - 79.1032 - 79.1033

Required minimum operating pressure key

LP1 - 0.1 bar minimum

MP - 0.5 bar minimum

Abberton Range

ABBERTON RANGE BATH FILLER



Abberton Range Chrome			
Description	Code	£ Ex VAT	£ Inc VAT
Abberton Bath Filler	79.1041	138.00	165.60
Abberton Bath Shower Mixer inc bracket, Handset & Hose	79.1037	162.00	194.40

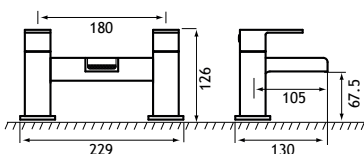
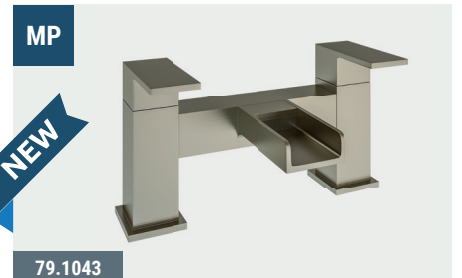
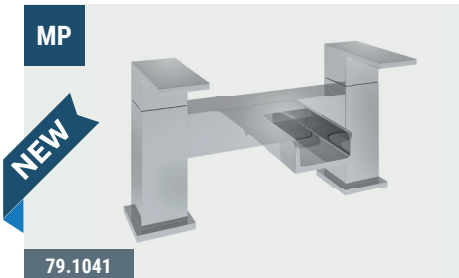
* Available February 2023

Abberton Range Black			
Description	Code	£ Ex VAT	£ Inc VAT
Abberton Bath Filler	79.1042	146.00	175.20
Abberton Bath Shower Mixer inc bracket, Handset & Hose	79.1038	176.00	211.20

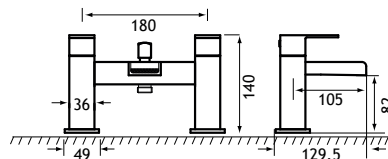
* Available February 2023

Abberton Range Brushed Brass			
Description	Code	£ Ex VAT	£ Inc VAT
Abberton Bath Filler	79.1043	155.00	186.00
Abberton Bath Shower Mixer inc bracket, Handset & Hose	79.1039	189.00	226.80

* Available February 2023



79.1037 - 79.1038 - 79.1039



79.1041 - 79.1042 - 79.1043

Pressure (bar)	Flow (litres/min)
0.5	18
1	29
2	43
3	51

Note: Pressure based on an open ended valve outlet without downstream resistance. Applies to bath filler only.

Eastbrook Co Terms & Conditions

We deliver all goods on our own dedicated transport fleet to ensure a speedy and problem-free service, however, in the unlikely event that goods are delivered wrong or damaged, it is the responsibility of the customer to ensure sufficient time is allowed for a replacement to be sent.

1. DEFINITIONS

In these terms and conditions, the following words shall have the following meanings:

'Buyer' shall mean any person, Eastbrook or company, to whom Eastbrook supplies Goods or Services or with whom Eastbrook enters into negotiations for the supply of Goods or Services.
'Eastbrook' shall mean Brian Michael Dououss and Nicolas Brian Dououss (each a "Partner" together the "Partners") trading as "Eastbrook Co." or "Woodstock".

'Goods' shall mean products, articles or things which are supplied by or which are the subject of negotiations for supply by Eastbrook to the Buyer.

'Services' shall mean services are supplied by or which are the subject of negotiations/ or supply by Eastbrook to the Buyer.

2. MAKING THE CONTRACT

Eastbrook's salesmen are not authorised representatives and are not authorised to accept confirm or vary any order nor to make any representation or promise on Eastbrook's behalf

Any estimate/quotation which comprises an invitation to treat is open for a period of 30 days only from the date thereof, provided that Eastbrook has not previously withdrawn it. Any order issued by the Buyer is subject to acceptance by Eastbrook and a contract will only be formed when Eastbrook has accepted the Buyer's offer to buy in writing. Any offer made by the Buyer must be confirmed in writing by the Buyer.

All orders are placed under these terms and conditions alone.

These terms and conditions exclude any other terms and conditions inconsistent therewith which a Buyer might seek to impose even though such other terms and conditions may be submitted in a later document and/or purport to exclude or supersede any terms or conditions with them or may be contained in any other acceptance or counter-offer made by the Buyer.

No variation of these terms and conditions is permitted unless expressly accepted by a Partner of Eastbrook in writing.

3. CANCELLATION

No cancellation by the Buyer is permitted except where expressly agreed by a Partner of Eastbrook in writing.

The Buyer will in the event of agreed cancellation by the Buyer indemnify Eastbrook fully against all expenses incurred up to the time of such cancellation together with by way of liquidated damages a sum of 33 1/3% of the contract price which shall be paid by the Buyer to Eastbrook forthwith.

4. PRICE

All prices quoted are those ruling at the date of dispatch or supply.

Unless otherwise stated all prices quoted are nett, exclusive of VAT, and in the case of Goods ex works.

Eastbrook reserves the right at any time prior to delivery of the Goods or supply of Services to adjust the price to take account of any increase in the cost of raw materials, labour or services or any currency fluctuations affecting the cost of imported materials or services.

5. TERMS OF PAYMENT

All sums become due and payable under these terms and conditions not later than 14 days from date of invoice.

Time for payment shall be of the essence.

The Buyer shall have no right to set off, statutory or otherwise.

If the Buyer (being a Company) has a petition for its winding-up or passes a resolution for voluntary winding-up otherwise than for the purpose of a bona fide amalgamation or reconstruction or compounds with its creditors or has a receiver appointed or all or any part of its assets or (being an individual) becomes bankrupt or insolvent or enters into any arrangement with its creditors or commits a material or serious breach of this Agreement (and in the case of such a breach being remediable fails to remedy it within 7 days of receiving notice to do so) he will be deemed to have repudiated the Contract.

Eastbrook reserves the right at any time at its discretion to demand security for payment before continuing with or delivering any Order, supplying any Goods or Services.

6. DELIVERY

Delivery will be deemed to have been effected when the Goods are ready for collection at the premises of Eastbrook or as the case may be the premises of the suppliers to Eastbrook in circumstances where the Goods are delivered direct from such suppliers.

Time of delivery is not of the essence.

Eastbrook shall not be liable for any loss whatsoever or howsoever arising caused by its non-delivery or by the failure to make Goods ready for collection on the due date.

Eastbrook reserves the right to make delivery by instalments and to tender a separate invoice in respect of each instalment.

When delivery is to be by instalments or Eastbrook exercises its right to deliver by instalments under clause 6.4 hereof or if there be delay in the delivery of any one or more instalments for whatever reason this will not entitle the Buyer to treat the contract as repudiated and/or to damages.

Deviations in quantity between the Goods delivered and Goods ordered representing not more than 10 per cent by value shall not give the Buyer any right to reject the Goods or to claim damages and the Buyer shall be obliged to accept and pay at the contract rate for the quantity of the Goods delivered.

7. SUPPLY OF SERVICES

Time for the supply of Services is not of the essence.

Eastbrook shall not be liable for any loss whatsoever or howsoever arising caused by its failure to supply Services or any part thereof on the due date.

Eastbrook reserves the right to supply Services by instalments and to tender a separate invoice in respect of each instalment.

When the supply of Services is to be by instalments or Eastbrook exercises its right to supply Services by instalments under clause 7.3 hereof or if there be a delay in the supply of any one or more instalments of Services for whatever reason this will not entitle the Buyer to treat the contract as repudiated or to damages.

Deviations in the quantity between Services supplied and the Services ordered representing not more than 10 per cent by value shall not give the Buyer any right to reject the Services or to claim damages and the Buyer shall be obliged to accept and pay at the contract rate for the quantity of the Services supplied.

8. RISK AND THE PASSING OF PROPERTY IN GOODS

Risk in the Goods shall pass to the Buyer when the Goods are delivered.

Notwithstanding risk in the Goods passing in accordance with clause 8.1 hereof title in the Goods shall not pass to the Buyer until whichever shall be the first to occur of the following:-

payment being received by Eastbrook for the Goods and Services and no other amounts then being outstanding from the Buyer to Eastbrook in respect of other Goods or Services supplied by Eastbrook

the Buyer selling the Goods in accordance with the provisions of these terms and conditions in which case title to the Goods shall be deemed to have passed to the Buyer immediately prior to delivery of the Goods to the Buyer's customers; and

Eastbrook waiving its rights under this clause 8.2 in respect of specified Goods or Services whereupon title to the said Goods shall forthwith vest in the Buyer.

The Buyer is licensed by Eastbrook to use or to agree to sell the Goods

delivered to the Buyer subject to the express condition that the entire proceeds of any sale are held in trust for Eastbrook and are not mixed with other moneys or paid into an overdraft bank account and shall at all times be identifiable as Eastbrook's moneys.

Until title to the Goods passes:
The Buyer will hold the Goods as fiduciary agent and bailee for Eastbrook;

The Buyer shall place any of the Goods in its possession or under its control and unsold at the disposal of Eastbrook and Eastbrook shall be entitled to enter upon any premises of the Buyer for the purpose of removing such Goods.

Eastbrook may at any time revoke the power of sale and use contained in clause 8.3 by notice to the Buyer if the Buyer is in default for longer than 14 days in the payment of any sum whatsoever due to Eastbrook (whether in respect of the Goods or any other Goods or Services supplied at any time by it to the Buyer) or if Eastbrook has bona fide doubts as to the solvency of the Buyer;

The Buyer's power of sale and use contained in clause 8.3 shall automatically cease if the Buyer has a petition presented for its winding-up or passes a resolution for voluntary winding-up otherwise than for the purpose of a bona fide amalgamation or reconstruction or compounds with its creditors or has a receiver appointed of all or any part of its assets or becomes bankrupt or insolvent or enters into any arrangements with creditors or takes or suffers any similar action in consequence of debts or carries out or undergoes any analogous act or proceeding under foreign law;

upon determination of the Buyer's power of sale and use pursuant to clause 8.3 or clause 8.4, the Buyer shall place any of the Goods in its possession or under its control and unsold at the disposal of Eastbrook and Eastbrook shall be entitled to enter upon any premises of the Buyer for the purpose of removing such Goods.

Eastbrook shall at any time be entitled to appropriate any payments made by the Buyer in respect of any Goods or Services in settlement of such invoices or accounts in respect of such Goods or Services as Eastbrook may in its absolute discretion think fit notwithstanding any purported appropriation to the contrary by the Buyer.

9. LIEN AND STOPPAGE

Until such time as the title in the Goods has passed to the Buyer Eastbrook has the right to withhold delivery if the Buyer (being a Company) has a petition presented for its winding-up or passes a resolution for voluntary winding-up otherwise than for the purpose of a bona fide amalgamation or reconstruction or compounds with its creditors or has a receiver appointed of all or any part of its assets or (being an individual) becomes bankrupt or insolvent or enters into any arrangements with creditors or takes or suffers any similar action in consequence of debts or carries out or undergoes any analogous act or proceedings under foreign law.

When the title in the Goods has passed to the Buyer and the time for payment has fallen due but payment has not been made or if the Buyer (being a Company) has a petition presented for its winding-up or passes a resolution for voluntary winding-up otherwise than for the purposes of a bona fide amalgamation or reconstruction or compounds with its creditors or has a receiver appointed of all or any part of its assets or (being an individual) becomes bankrupt or insolvent or enters into any arrangements with creditors or takes or suffers any similar action in consequence of debts or carries out or undergoes any analogous act or proceedings under foreign law Eastbrook has a lien on the Goods so long as Eastbrook is in possession of them

10. INSPECTION/SHORTAGES

The Buyer is under a duty to inspect the Goods forthwith on delivery and satisfy himself as to the due performance of Services forthwith after supply.

Eastbrook shall be under no liability for any defects or shortages that would be apparent on careful inspection if the terms of this clause are not complied with, in any event will be under no liability if a written complaint is not delivered to Eastbrook within 7 days of delivery or supply detailing the alleged defect or shortage.

In all cases where defects or shortages in respect of Goods are complained of Eastbrook shall be under no liability in respect thereof unless an opportunity to inspect the Goods is given to Eastbrook before any use is made thereof or any alteration or modification is made thereto by the Buyer.

Subject to clauses 10.2 and 10.3 Eastbrook shall make good any defect or shortage in the Goods and where appropriate replace any Goods damaged in transit as soon as it is reasonably able to do so, but otherwise shall be under no liability whatsoever or howsoever arising from such defect, shortage or damage.

Subject to clause 10.4 Eastbrook shall remedy any defect in the supply of Services as soon as it is reasonably able to do so but otherwise shall be under no liability whatsoever or howsoever arising from such defect

11. WARRANTY

No representation or warranty is given as to the suitability or fitness of the Goods or Services for any particular purpose and the Buyer shall satisfy himself in this respect and shall be totally responsible therefore

If the Goods are in such a state or the Services so defectively supplied as would but for this condition entitle the Buyer to repudiate the contract and/or claim damages from Eastbrook Eastbrook reserves the right to repair or replace the Goods or perform the Services (or the relevant part thereof) again.

12. LIABILITY

Nothing in this clause 12 shall be deemed to exclude or restrict Eastbrook's liability for death or personal injury resulting from Eastbrook's negligence.

Each of the sub-clauses in this clause 12 is to be treated as separate and independent.

Eastbrook is willing to undertake liability additional to that provided by this clause 12 in exchange for a higher price.

12.2 Exclusion

Eastbrook agrees that if any defect caused by faulty design, manufacture, materials or workmanship is discovered during the period of 3 months commencing with the date of delivery or supply, Eastbrook will remedy any defect at its own expense or, in the case of Goods if it chooses to do so, replace them. Defects caused by abnormal use, misuse, neglect or wilful or accidental damage are not covered by this clause.

The Buyer cannot claim the benefit of clause 12.2.1 above unless:

he informs Eastbrook of the relevant defect in writing within 7 working days of discovering it; and

in the case of Goods, he returns the Goods to Eastbrook at his own expense.

The risk of accidental loss whilst any Goods are being returned to Eastbrook will be borne by the Buyer.

Notwithstanding clause 12.2.1 above, if the manufacturer of any Goods has provided any guarantee of such Goods for a period longer than three months (a "Manufacturer's Extended Guarantee"), Eastbrook shall use its reasonable endeavours to transfer to the Buyer the benefit of any such Manufacturer's Extended Guarantee in respect of the Goods, provided that Eastbrook may in its absolute discretion elect to do so only at the cost of the Buyer.

Any Manufacturer's Extended Guarantee is for the Buyer only who must complete a return and registration form within 30 days of purchase. Manufacturer's Extended Guarantees are not transferable to third parties and do not cover previously installed products such as ex show room displays. Failure to complete and return a registration form to Eastbrook within the 30 day period will result in the guarantee on such Goods being limited to that stated in clause 12.2.1 above.

Manufacturer's Extended Guarantees cover Goods which are used for normal domestic use only and are not applicable to Goods which are used for commercial use (i.e. hotels, residential homes, leisure facilities etc.).

In the event that a manufacturer of Goods providing a Manufacturer's

Extended Guarantee pursuant to clause 12.2.3 above ceases trading and/or no longer honours such guarantee, Eastbrook shall have no liability whatsoever to the Buyer with respect to such Manufacturer's Extended Guarantee.

If the benefit of a Manufacturer's Extended Guarantee is transferred to the Buyer, subject always to clause 12.2.1 above and further subject to the defect not being as a result of fair wear and tear, Eastbrook shall only be liable to provide replacement parts. For the avoidance of doubt, Eastbrook excludes any consequential costs involved in the fitting of such parts. Furthermore, with respect to the following these additional terms are applicable:

Perishable components such as non-glass or metallic parts (e.g. plastic parts, seals, wheels etc.) are excluded from a Manufacturer's Extended Guarantee.

Shower and bath screens: Glass and seals for such products are excluded from a Manufacturer's Extended Guarantee.

Towel rails and radiators: Such products must be individually earthed when installed for a Manufacturer's Extended Guarantee to apply.

If, in the sole opinion of Eastbrook, the Goods which are the subject of the Manufacturer's Extended Guarantee have been modified, misused or neglected or have been wilfully or accidentally damaged, Eastbrook shall not be liable under the Manufacturer's Extended Guarantee for the failure of the Goods.

No claim under a Manufacturer's Extended Guarantee will be accepted if Goods have been installed with a fault that would have been clearly visible before installation. A Manufacturer's Extended Guarantee does not cover any Goods which have been modified, altered, transformed or relocated in any way.

Claims under a Manufacturer's Extended Guarantee must be made by the Buyer within [7 working days] of the defect being discovered.

In consideration for receiving the benefit of this clause, the Buyer agrees that, apart from those terms set out in clause 10 and 11, all other terms, whether conditions, warranties or innominate terms, express or implied, statutory or otherwise, are excluded from the contract between Eastbrook and the Buyer to the extent permitted by law (except where the Buyer deals as consumer within section 12 of the Unfair Contract Terms Act 1977 when the terms implied by sections 13, 14 and 15 of the Sale of Goods Act 1979 shall be implied into the contract).

12.3 Exclusion of Consequential Loss

Eastbrook shall not be liable for any consequential or indirect loss suffered by the Buyer whether such loss arises from breach of a duty in contract or tort or in any other way (including loss arising from Eastbrook's negligence) including, without limitation to the generality of the foregoing:

- loss of profits;
- loss of contracts;
- damage to property of the Buyer or anyone else; or

personal injury to the Buyer or anyone else (except so far as such injury is attributable to Eastbrook's negligence).

Eastbrook's total liability for any one claim or for the total of all claims arising from any one act or default of Eastbrook (whether arising from Eastbrook's negligence or otherwise) shall not exceed the contract price of the Goods.

13. FORCE MAJEURE

Eastbrook shall not be liable for any failure to deliver the Goods or perform the Services arising from circumstances outside Eastbrook's control.

Non-exhaustive illustrations of such circumstances would be act of God, war, riot, explosion, abnormal weather conditions, fire, flood, strikes, lockouts, Government action or regulations (UK or otherwise), delay by suppliers, accidents and shortage of materials, labour or manufacturing facilities.

Should Eastbrook be prevented from delivering the Goods or performing the Services in the above circumstances, it shall give the Buyer written notice of this fact as soon as reasonably practicable after discovering it.

If the circumstances preventing delivery of the Goods or performing the Services are still in operation when the Buyer receives Eastbrook's notice, then either party may give written notice to the other cancelling the contract.

If the contract is cancelled in this way, Eastbrook will refund any payment which the Buyer has already made on account of the price (subject to deduction of any amount Eastbrook is entitled to claim from the Buyer) but Eastbrook will not be liable to compensate the Buyer for any further loss or damage caused by the failure to deliver the Goods or perform the Services.

14. SALES PROMOTION DOCUMENTATION

Whilst Eastbrook takes every precaution in the preparation of its catalogue, technical circulars, price lists and its other literature, these documents are for the Buyer's general guidance only and the particulars contained therein shall not constitute representations by Eastbrook and Eastbrook shall not be bound thereby.

15. USE OF DATA

If the Buyer provides any data relating to the business of the Buyer to Eastbrook for any purpose, then the Buyer agrees that Eastbrook may hold such data and use it in relation to the supply of Goods, to process payment and to inform the Buyer (including its staff) of other Goods or Services that Eastbrook may offer from time to time. Eastbrook will hold all data relating to the Buyer in accordance with our privacy policy and privacy statements in force from time to time and which is available on demand.

The Buyer agrees that Eastbrook may share any data referred to in clause 15 with third parties only where it is necessary for the provision of the Goods or Services supplied by Eastbrook and further that the Buyer shall hold Eastbrook harmless for the misuse of such data by those third parties.

In relation to any data supplied by the Buyer to Eastbrook regarding the Buyer's customers, the Buyer warrants and represents that they have obtained consent to share such data with Eastbrook (whether this relates to retained services or the replacement of Goods or otherwise) and the Buyer agrees to indemnify and keep indemnified, Eastbrook from and against any losses, damages, liability, costs (including legal fees) and expenses incurred by Eastbrook as a result of or in connection with the Buyer's breach of this Clause.

16. NOTICES

Any notice to be given hereunder shall be in writing and shall be deemed to have been duly given if sent or delivered to the party concerned at its address specified overleaf or such other address as that party may from time to time notify in writing and shall be deemed to have been served, if sent by post, 48 hours after posting.

17. ASSIGNMENT

Neither Eastbrook nor the Buyer shall assign or purport to assign or transfer the contract or the benefits thereof to any other person without prior written consent of the other.

18. SEVERANCE

If any provision of this contract (or part of any provision) is or becomes illegal, invalid or unenforceable, the legality, validity and enforceability of any other provision of the Contract shall not be affected.

If any provision of the contract (or part of any provision) is or becomes illegal, invalid or unenforceable but would be legal, valid and enforceable if some part of it was deleted or modified, the provision or part-provision in question shall apply with such deletions or modifications as may be necessary to make the provision legal, valid and enforceable. In the event of such deletion or modification, the parties shall negotiate in good faith in order to agree the terms of a mutually acceptable alternative provision.

19. PROPER LAW AND JURISDICTION

The Contract shall be governed by and construed in accordance with English law and all disputes arising in connection with the contract shall be submitted to the jurisdiction of the English Courts.

20. HEADINGS

The headings of these conditions are for convenience only and shall have no effect on the interpretation thereof.



UK Mainland Edition
January 1st - July 31st 2023

Eastbrook Co.

Eastbrook Road, Gloucester GL4 3DB

Tel: 01452 317800

Fax: 01452 330494

For Sales / Enquiries: sales@eastbrookco.com

For Orders Only: orders@eastbrookco.com

For Technical Enquiries: technical@eastbrookco.com