



2023
DESIGNER
RADIATORS

Issue 1 - January 2023

WELCOME

Kartell UK has established a reputation as a premier supplier of high quality products to the UK Plumbing and Heating Sector.

We are delighted to introduce our new **K-Rad Designer Radiator Brochure 2023**. Take a look at our wide ranges, all designed to provide exactly what we have become famous for at Kartell – delivering a quality product, offering a quality service and delivering at a competitive price.

Within these pages you will find the latest designer radiators and towel rails, influenced by fashions and designers across Europe. You will also find the traditional styles that have remained with us over the years; solid functional designs with durability and ease of use and maintenance.

We trust that you will enjoy this new catalogue.



PLEASE NOTE THAT WHILE THESE PRINTED COLOURS ARE A GOOD REFLECTION, THEY MAY NOT BE AN EXACT MATCH TO THE FINISHED PRODUCT.

DESIGNER RADIATORS

ASPEN WHITE HORIZONTAL	4
ASPEN WHITE VERTICAL	5
ASPEN ANTHRACITE HORIZONTAL	6
ASPEN ANTHRACITE VERTICAL	7
ASPEN STAINLESS HORIZONTAL	8
ASPEN STAINLESS VERTICAL	9
BOSTON ANTHRACITE HORIZONTAL	10
BOSTON WHITE HORIZONTAL	11
BOSTON WHITE VERTICAL	12
BOSTON ANTHRACITE VERTICAL	13
LASER KLASSIC HORIZONTAL	14
LASER KLASSIC VERTICAL	15
LASER KLASSIC HORIZONTAL RAW METAL	16
LASER KLASSIC VERTICAL RAW METAL	17
LASER KLASSIC HORIZONTAL ANTHRACITE	18
LASER KLASSIC VERTICAL ANTHRACITE	19
K-FLAT KOMPACT HORIZONTAL	20
K-FLAT KOMPACT VERTICAL	21
K-FLAT PREMIUM KOMPACT HORIZONTAL	22
K-FLAT PREMIUM KOMPACT VERTICAL	23
VERMONT HORIZONTAL	24
VERMONT VERTICAL	25
NOSTALGIA	26
LEGACY	27
CINCINNATI	28
KANSAS	29

DESIGNER TOWEL RAILS

IDAHO	30
CROWN	31
METRO	32
TOLEDO	33
ORLANDO	34
OHIO	35
NEWARK	36
CONNECTICUT	37
ATLANTIC	38
MEMPHIS	39
OREGON	40
MODE	41
NEW YORK	42
VENETIAN	43
DENVER	44
KOLUMN	45
OAKLAND	46
MALIBU	47
TAMPA	48
TEXAS	49
K-RAIL 22MM BLACK	50
K-RAIL 22MM ANTHRACITE	51
K-RAIL 22MM WHITE	52
K-RAIL 22MM CHROME	53
K-RAIL 25MM CHROME	54
K-SQUARED 22MM CHROME	55
COLOURED RAILS	56
ELECTRIC RAILS	58
RADIATOR VALVES & EXTRAS	59

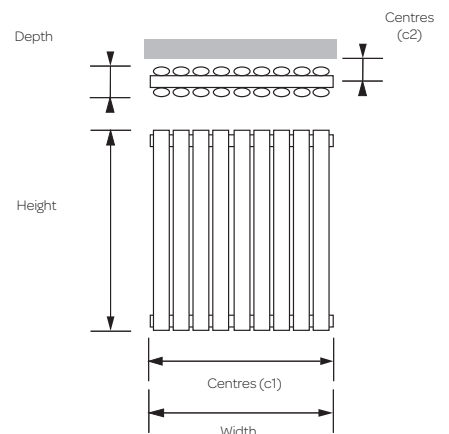


SCAN HERE FOR OUR GUARANTEE T&C'S

This publication is issued subject to alteration or withdrawal without notice. The illustrations and specifications are not binding in detail. All offers and sales are subject to the company's current terms and conditions of sale. Printed colours in this publication, whilst a good reflection, they may not be an exact match to the finished products. All prices shown include VAT and are correct at the time of going to press.



Product Code	Height (mm)	Width (mm)	Depth (mm)	Tapping Centres (mm)		Heat Output $\Delta t 60^{\circ}\text{C}$ (BTUs)	Price (£)
				(c1)	(c2)		
Aspen Single							
ASP60-37SW	600	360	55	360	51	1434	227.00
ASP60-55SW	600	540	55	540	51	2234	319.00
ASP60-79SW	600	780	55	780	51	3309	432.00
ASP60-97SW	600	960	55	960	51	4428	515.00
ASP60-115SW	600	1140	55	1140	51	5111	602.00
ASP60-145SW	600	1440	55	1440	51	6377	746.00
Aspen Double							
ASP60-37DW	600	360	79	360	51	2467	330.00
ASP60-55DW	600	540	79	540	51	3850	462.00
ASP60-79DW	600	780	79	780	51	5694	634.00
ASP60-97DW	600	960	79	960	51	7591	761.00
ASP60-115DW	600	1140	79	1140	51	8645	892.00
ASP60-145DW	600	1440	79	1440	51	10780	1102.00



5 5 Year Guarantee

White Vertical **ASPEN** 



We recommend

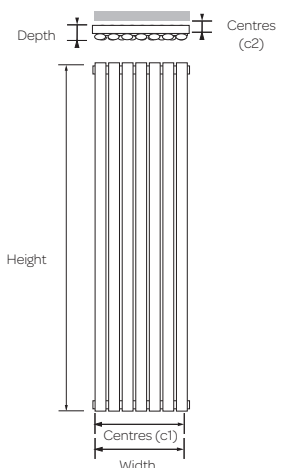
ASPEN VALVES (PAIR)
STRAIGHT

ASP-STR **£46.00**

ANGLED

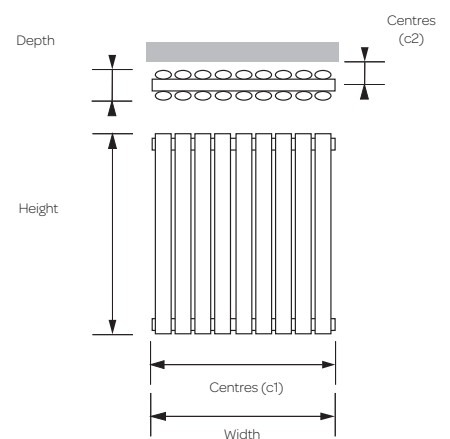
ASP-ANG **£43.00**

Product Code	Height (mm)	Width (mm)	Depth (mm)	Tapping Centres (mm)		Heat Output $\Delta t60^{\circ}\text{C}$ (BTUs)	Price (£)
				(c1)	(c2)		
Aspen Single							
ASP16-43VSW	1600	420	55	420	51	4187	435.00
ASP18-31VSW	1800	300	55	300	51	3563	360.00
ASP18-43VSW	1800	420	55	420	51	4796	478.00
ASP18-55VSW	1800	540	55	540	51	6299	595.00
Aspen Double							
ASP16-43VDW	1600	420	79	420	51	8170	586.00
ASP18-31VDW	1800	300	79	300	51	6933	462.00
ASP18-43VDW	1800	420	79	420	51	9540	625.00
ASP18-55VDW	1800	540	79	540	51	12283	789.00





Product Code	Height (mm)	Width (mm)	Depth (mm)	Tapping Centres (mm)		Heat Output $\Delta t60^{\circ}\text{C}$ (BTUs)	Price (£)
				(c1)	(c2)		
Aspen Single							
ASP60-37SA	600	360	55	360	51	1434	232.00
ASP60-55SA	600	540	55	540	51	2234	330.00
ASP60-79SA	600	780	55	780	51	3309	444.00
ASP60-97SA	600	960	55	960	51	4428	533.00
ASP60-115SA	600	1140	55	1140	51	5111	622.00
ASP60-145SA	600	1440	55	1440	51	6377	769.00
Aspen Double							
ASP60-37DA	600	360	79	360	51	2467	341.00
ASP60-55DA	600	540	79	540	51	3850	476.00
ASP60-79DA	600	780	79	780	51	5694	654.00
ASP60-97DA	600	960	79	960	51	7591	782.00
ASP60-115DA	600	1140	79	1140	51	8645	917.00
ASP60-145DA	600	1440	79	1440	51	10780	1137.00





We recommend

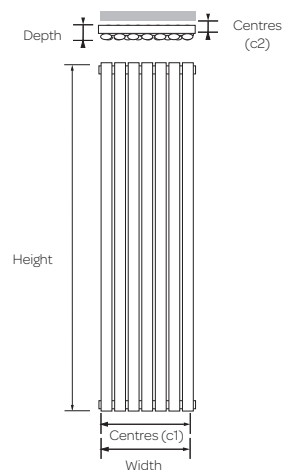
ASPEN VALVES (PAIR)
STRAIGHT

ASP-STR **£46.00**

ANGLED

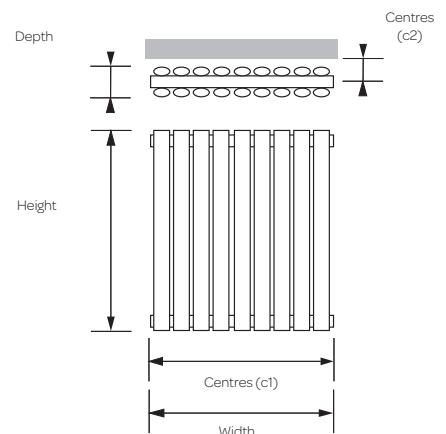
ASP-ANG **£43.00**

Product Code	Height (mm)	Width (mm)	Depth (mm)	Tapping Centres (mm)		Heat Output $\Delta t60^{\circ}\text{C}$ (BTUs)	Price (£)
				(c1)	(c2)		
Aspen Single							
ASP16-43VSA	1600	420	55	420	51	4187	448.00
ASP18-31VSA	1800	300	55	300	51	3563	371.00
ASP18-43VSA	1800	420	55	420	51	4796	492.00
ASP18-55VSA	1800	540	55	540	51	6299	613.00
Aspen Double							
ASP16-43VDA	1600	420	79	420	51	8170	604.00
ASP18-31VDA	1800	300	79	300	51	6933	478.00
ASP18-43VDA	1800	420	79	420	51	9540	645.00
ASP18-55VDA	1800	540	79	540	51	12283	812.00





Product Code	Height (mm)	Width (mm)	Depth (mm)	Tapping Centres (mm)		Heat Output $\Delta t60^{\circ}\text{C}$ (BTUs)	Price (£)
				(c1)	(c2)		
Aspen Single							
ASP60-40S	600	372	57.5	372	70	1271	444.00
ASP60-57S	600	558	57.5	558	70	1902	528.00
ASP60-80S	600	806	57.5	806	70	2479	613.00
ASP60-100S	600	992	57.5	992	70	3592	659.00
ASP60-120S	600	1178	57.5	1178	70	4016	684.00
ASP60-150S	600	1488	57.5	1488	70	5075	856.00
Aspen Double							
ASP60-40D	600	372	80	372	70	2187	858.00
ASP60-57D	600	558	80	558	70	3285	832.00
ASP60-80D	600	806	80	806	70	4379	1148.00
ASP60-100D	600	992	80	992	70	6204	1248.00
ASP60-120D	600	1178	80	1178	70	6904	1342.00
ASP60-150D	600	1488	80	1488	70	8763	1703.00





We recommend

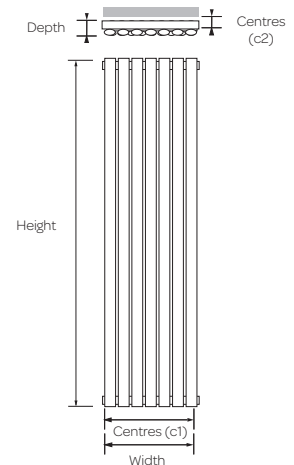
ASPEN VALVES (PAIR)
STRAIGHT

ASP-STR **£46.00**

ANGLED

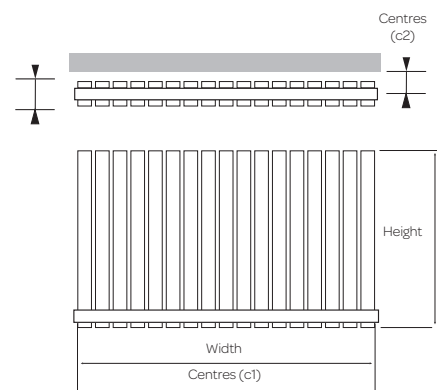
ASP-ANG **£43.00**

Product Code	Height (mm)	Width (mm)	Depth (mm)	Tapping Centres (mm)		Heat Output $\Delta t 60^{\circ}\text{C}$ (BTUs)	Price (£)
				(c1)	(c2)		
Aspen Single							
ASP180-25S	1800	250	63	250	50	2334	679.00
ASP180-31S	1800	310	63	310	50	2918	819.00
ASP180-45S	1800	450	63	450	50	4059	1100.00
ASP180-56S	1800	560	63	560	50	5248	1379.00
Aspen Double							
ASP180-25D	1800	250	88	250	70	4552	1176.00
ASP180-31D	1800	310	88	310	70	5690	1509.00
ASP180-45D	1800	450	88	450	70	7916	2098.00
ASP180-56D	1800	560	88	560	70	10234	2544.00



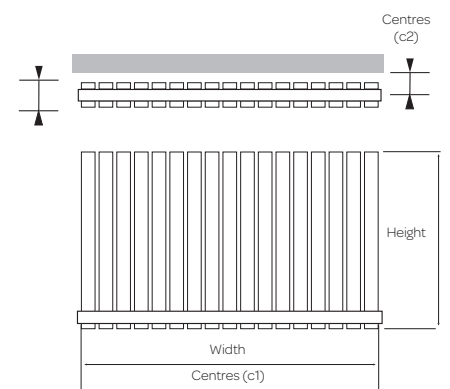


Product Code	Height (mm)	Width (mm)	Depth (mm)	Tapping Centres (mm)		Heat Output $\Delta t60^{\circ}\text{C}$ (BTUs)	Price (£)
				(c1)	(c2)		
Boston Single							
BOS60-42SA	600	420	52	420	50	1295	165.00
BOS60-63SA	600	630	52	630	50	1943	231.00
BOS60-77SA	600	770	52	770	50	2375	264.00
BOS60-91SA	600	910	52	910	50	2807	297.00
BOS60-119SA	600	1190	52	1190	50	3670	396.00
BOS60-147SA	600	1470	52	1470	50	4534	462.00
Boston Double							
BOS60-42DA	600	420	70	420	50	2367	264.00
BOS60-63DA	600	630	70	630	50	3551	363.00
BOS60-77DA	600	770	70	770	50	4340	429.00
BOS60-91DA	600	910	70	910	50	5129	495.00
BOS60-119DA	600	1190	70	1190	50	6708	594.00
BOS60-147DA	600	1470	70	1470	50	8286	719.00





Product Code	Height (mm)	Width (mm)	Depth (mm)	Tapping Centres (mm)		Heat Output $\Delta t 60^{\circ}\text{C}$ (BTUs)	Price (£)
				(c1)	(c2)		
Boston Single							
BOS60-42SW	600	420	52	420	50	1295	165.00
BOS60-63SW	600	630	52	630	50	1943	231.00
BOS60-77SW	600	770	52	770	50	2375	264.00
BOS60-91SW	600	910	52	910	50	2807	297.00
BOS60-119SW	600	1190	52	1190	50	3670	396.00
BOS60-147SW	600	1470	52	1470	50	4534	462.00
Boston Double							
BOS60-42DW	600	420	70	420	50	2367	264.00
BOS60-63DW	600	630	70	630	50	3551	363.00
BOS60-77DW	600	770	70	770	50	4340	429.00
BOS60-91DW	600	910	70	910	50	5129	495.00
BOS60-119DW	600	1190	70	1190	50	6708	594.00
BOS60-147DW	600	1470	70	1470	50	8286	719.00





Featured valves

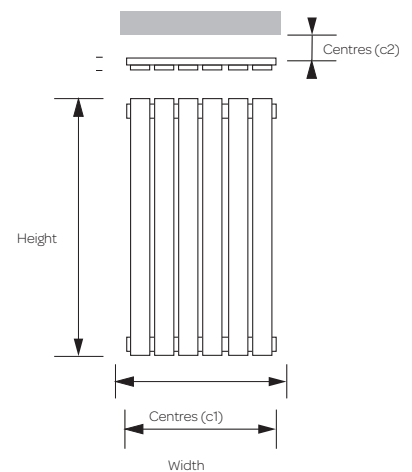
MODERN VALVES CHROME (PAIR)
STRAIGHT

KART-STR £18.00

ANGLED

KART-ANG £18.00

Product Code	Height (mm)	Width (mm)	Tapping Centres (mm) (c1)	Tapping Centres (mm) (c2)	Heat Output $\Delta t60^{\circ}\text{C}$ (BTUs)	Price (£)
1600 Series Single						
BOS1600-410W	1600	410	370	50	3240	316.00
BOS1600-480W	1600	480	440	50	3781	364.00
BOS1600-550W	1600	550	510	50	4322	407.00
1800 Series Single						
BOS1800-410W	1800	410	370	50	3616	343.00
BOS1800-480W	1800	480	440	50	4219	394.00
BOS1800-550W	1800	550	510	50	4823	439.00
1800 Series Double						
BOS1800-410DW	1800	410	370	50	6254	399.00
BOS1800-480DW	1800	480	440	50	7298	490.00
BOS1800-550DW	1800	550	510	50	8338	510.00





Featured valves

CUBE VALVES (PAIR)
STRAIGHT

CUBE-STR

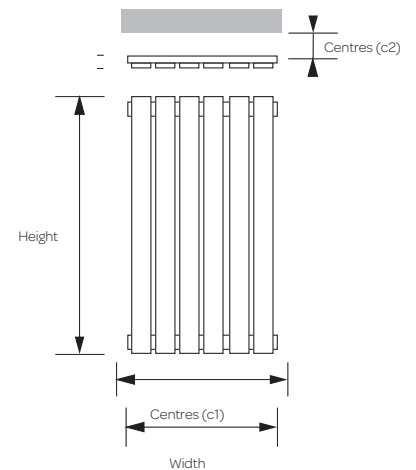
£24.00

ANGLED

CUBE-ANG

£24.00

Product Code	Height (mm)	Width (mm)	Tapping Centres (mm) (c1)	Tapping Centres (mm) (c2)	Heat Output $\Delta t60^{\circ}\text{C}$ (BTUs)	Price (£)
1600 Series Single						
BOS1600-410A	1600	410	370	50	3240	328.00
BOS1600-480A	1600	480	440	50	3781	378.00
BOS1600-550A	1600	550	510	50	4322	423.00
1800 Series Single						
BOS1800-410A	1800	410	370	50	3616	355.00
BOS1800-480A	1800	480	440	50	4219	409.00
BOS1800-550A	1800	550	510	50	4823	455.00
1800 Series Double						
BOS1800-410DA	1800	410	370	50	6254	423.00
BOS1800-480DA	1800	480	440	50	7298	522.00
BOS1800-550DA	1800	550	510	50	8338	546.00



LASER KLASSIC Horizontal



5 Year Guarantee



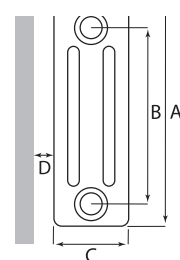
Product Code	Height (mm)	Width (mm)	Depth (mm)	C/C Tappings (mm)	No. of Sections	Heat Output $\Delta t 60^{\circ}\text{C}$ (BTUs)	Price (£)
	A		C	B			
2 Columns							
LCL206014-N	600	650	70	524	14	3057	368.00
LCL206018-N	600	830	70	524	18	3927	463.00
LCL206022-N	600	1010	70	524	22	4801	560.00
LCL206026-N	600	1190	70	524	26	5671	652.00
3 Columns							
LCL306014-N	600	650	107	524	14	4514	399.00
LCL306018-N	600	830	107	524	18	5807	506.00
LCL306022-N	600	1010	107	524	22	7093	606.00
LCL306026-N	600	1190	107	524	26	8383	713.00
4 Columns							
LCL404014-N	400	650	140	320	14	4268	560.00
LCL404018-N	400	830	140	320	18	5486	713.00
LCL404022-N	400	1010	140	320	22	6701	867.00
LCL404026-N	400	1190	140	320	26	7922	1020.00
LCL406014-N	600	650	140	320	14	6107	452.00
LCL406018-N	600	830	140	320	18	7854	575.00
LCL406022-N	600	1010	140	320	22	9597	690.00
LCL406026-N	600	1190	140	320	26	11344	815.00
LCL407514-N	750	650	140	670	14	7485	514.00
LCL407518-N	750	830	140	670	18	9628	644.00
LCL407522-N	750	1010	140	670	22	11767	782.00
LCL407526-N	750	1190	140	670	26	13907	921.00
6 Columns							
LCL603022-N	300	1010	220	220	22	13102	1086.00
LCL603026-N	300	1190	220	220	26	15487	1257.00
LCL603030-N	300	1370	220	220	30	17868	1446.00



Optional feet

2 COLUMN T2F-N	£110.00
3 COLUMN T3F-N	£110.00
4 COLUMN T4F-N	£110.00
5 COLUMN T5F-N	£110.00
6 COLUMN T6F-N	£110.00

2 mm 45mm



D (WALL TO BACK OF RADIATOR) = 30MM/40MM
DEPENDANT ON RADIATOR POSITION ON THE BRACKET.



5 Year Guarantee

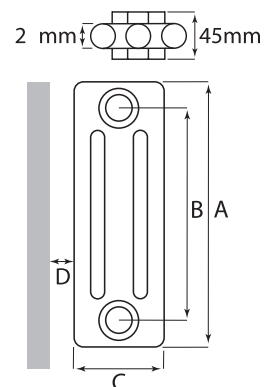
Vertical **LASER KLASSIC**



Featured valves

TRADITIONAL CROSS HEAD VALVES
CHROME (PAIR)
TRAD-CROSS-ANG **£29.00**

Product Code	Height (mm) A	Width (mm)	Depth (mm) C	C/C Tappings (mm) B	No. of Sections	Heat Output $\Delta t 60^{\circ}\text{C}$ (BTUs)	Price (£)
2 Columns							
LCL215007-N	1500	335	70	1424	7	3600	422.00
LCL215009-N	1500	425	70	1424	9	4630	537.00
LCL215011-N	1500	515	70	1424	11	5654	644.00
LCL218007-N	1800	335	70	1724	7	4289	432.00
LCL218009-N	1800	425	70	1724	9	5517	549.00
LCL218011-N	1800	515	70	1724	11	6742	660.00
3 Columns							
LCL318007-N	1800	335	100	1724	7	6400	506.00
LCL318009-N	1800	425	100	1724	9	8226	651.00
LCL318011-N	1800	515	100	1724	11	10058	782.00






D (WALL TO BACK OF RADIATOR) = 30MM/40MM
DEPENDANT ON RADIATOR POSITION ON THE BRACKET.

LASER KLASSIC Horizontal Raw Metal

5 Year Guarantee

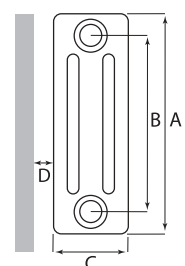


Product Code	Height (mm) A	Width (mm)	Depth (mm) C	C/C Tappings (mm) B	No. of Sections	Heat Output $\Delta t 60^{\circ}\text{C}$ (BTUs)	Price (£)
2 Columns							
 RMLCL206014-N	600	650	70	524	14	3057	478.00
RMLCL206018-N	600	830	70	524	18	3927	602.00
RMLCL206022-N	600	1010	70	524	22	4801	728.00
3 Columns							
 RMLCL306014-N	600	650	100	524	14	4514	518.00
RMLCL306018-N	600	830	100	524	18	5807	658.00
RMLCL306022-N	600	1010	100	524	22	7093	788.00
RMLCL306026-N	600	1190	100	524	26	8383	928.00
4 Columns							
 RMLCL406026-N	600	1190	140	520	26	11344	1059.00



Optional feet
adds 120mm to the height

- 2 COLUMN **RMT2F-N** **£143.00**
- 3 COLUMN **RMT3F-N** **£143.00**
- 4 COLUMN **RMT4F-N** **£143.00**



D (WALL TO BACK OF RADIATOR) = 30MM/40MM DEPENDANT ON RADIATOR POSITION ON THE BRACKET.

PRINTED COLOURS IN THIS PUBLICATION, WHILST A GOOD REFLECTION, MAY NOT BE AN EXACT MATCH TO THE FINISHED PRODUCTS.

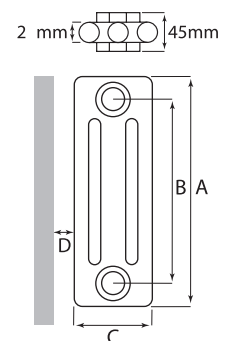
5 5 Year
Guarantee

Vertical Raw Metal **LASER KLASSIC** ⋮



Product Code	Height (mm) A	Width (mm)	Depth (mm) C	C/C Tappings (mm) B	No. of Sections	Heat Output $\Delta t 60^{\circ}\text{C}$ (BTUs)	Price (£)
2 Columns							
RMLCL218007-N	1800	335	70	1724	7	4289	562.00
RMLCL218009-N	1800	425	70	1724	9	5517	714.00
RMLCL218011-N	1800	515	70	1724	11	6742	858.00

PRINTED COLOURS IN THIS PUBLICATION, WHILST A GOOD REFLECTION, MAY NOT BE AN EXACT MATCH TO THE FINISHED PRODUCTS.



D (WALL TO BACK OF RADIATOR) = 30MM/40MM DEPENDANT ON RADIATOR POSITION ON THE BRACKET.

LASER KLASSIC Horizontal Anthracite

M Matt Finish

5 5 Year Guarantee

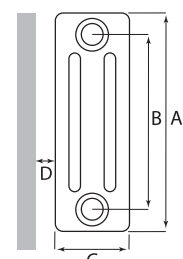


Product Code	Height (mm)	Width (mm)	Depth (mm)	C/C Tappings (mm)	No. of Sections	Heat Output $\Delta t 60^{\circ}\text{C}$ (BTUs)	Price (£)
	A		C	B			
2 Columns							
 ALCL206014-N	600	650	70	524	14	3057	478.00
ALCL206018-N	600	830	70	524	18	3927	602.00
ALCL206022-N	600	1010	70	524	22	4801	728.00
3 Columns							
 ALCL306014-N	600	650	100	524	14	4514	518.00
ALCL306018-N	600	830	100	524	18	5807	658.00
ALCL306022-N	600	1010	100	524	22	7093	788.00
ALCL306026-N	600	1190	100	524	26	8383	928.00
4 Columns							
 ALCL406026-N	600	1190	140	520	26	11344	1059.00



Optional feet
adds 120mm to the height

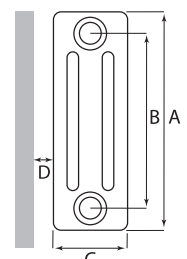
- 2 COLUMN
AT2F-N **£143.00**
- 3 COLUMN
AT3F-N **£143.00**
- 4 COLUMN
AT4F-N **£143.00**



D (WALL TO BACK OF RADIATOR) = 30MM/40MM DEPENDANT ON RADIATOR POSITION ON THE BRACKET.



Product Code	Height (mm)	Width (mm)	Depth (mm)	C/C Tappings (mm)	No. of Sections	Heat Output $\Delta t 60^{\circ}\text{C}$ (BTUs)	Price (£)
	A		C	B			
2 Columns							
ALCL218007-N	1800	335	70	1724	7	4289	562.00
ALCL218009-N	1800	425	70	1724	9	5517	714.00
ALCL218011-N	1800	515	70	1724	11	6742	858.00



D (WALL TO BACK OF RADIATOR) = 30MM/40MM DEPENDANT ON RADIATOR POSITION ON THE BRACKET.

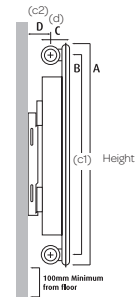
K-FLAT KOMPACT Horizontal



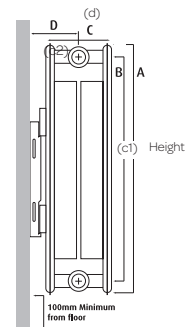
10 10 Year Guarantee



Type 11 Single Convactor



Type 22 Double Convactor



Type 11 · Single Convactor

Code	Width (mm)	Depth (mm)	Tapping Centres (mm)		Output $\Delta t_{60^\circ\text{C}}$ (BTUs)	Price (£)
			(c1)	(c2)		
400 mm high						
KS406F	600	56	345	40 or 55	1586	233.69
KS408F	800	56	345	40 or 55	2115	276.82
KS410F	1000	56	345	40 or 55	2644	320.33
KS412F	1200	56	345	40 or 55	3173	371.45
KS414F	1400	56	345	40 or 55	3701	411.31
KS416F	1600	56	345	40 or 55	4230	457.66
500 mm high						
KS504F	400	56	445	40 or 55	1279	220.55
KS506F	600	56	445	40 or 55	1918	259.98
KS508F	800	56	445	40 or 55	2558	311.94
KS510F	1000	56	445	40 or 55	3197	365.20
KS512F	1200	56	445	40 or 55	3837	427.04
KS514F	1400	56	445	40 or 55	4476	474.28
KS516F	1600	56	445	40 or 55	5116	520.18
600 mm high						
KS604F	400	56	545	40 or 55	1489	235.83
KS606F	600	56	545	40 or 55	2233	282.39
KS608F	800	56	545	40 or 55	2977	343.20
KS610F	1000	56	545	40 or 55	3722	404.21
KS612F	1200	56	545	40 or 55	4466	454.41
KS614F	1400	56	545	40 or 55	5211	529.24
KS616F	1600	56	545	40 or 55	5955	582.47
KS618F	1800	56	545	40 or 55	6699	634.01
KS620F	2000	56	545	40 or 55	7444	686.17

Type 22 · Double Convactor

Code	Width (mm)	Depth (mm)	Tapping Centres (mm)		Output $\Delta t_{60^\circ\text{C}}$ (BTUs)	Price (£)
			(c1)	(c2)		
400 mm high						
KD406F	600	105	345	82.5 or 97.5	3133	315.19
KD408F	800	105	345	82.5 or 97.5	4178	385.46
KD410F	1000	105	345	82.5 or 97.5	5222	455.93
KD412F	1200	105	345	82.5 or 97.5	6266	535.05
KD414F	1400	105	345	82.5 or 97.5	7311	601.46
KD416F	1600	105	345	82.5 or 97.5	8355	675.17
500 mm high						
KD504F	400	105	445	82.5 or 97.5	2499	292.75
KD506F	600	105	445	82.5 or 97.5	3748	360.65
KD508F	800	105	445	82.5 or 97.5	4997	446.68
KD510F	1000	105	445	82.5 or 97.5	6247	533.33
KD512F	1200	105	445	82.5 or 97.5	7496	628.40
KD514F	1400	105	445	82.5 or 97.5	8746	709.23
KD516F	1600	105	445	82.5 or 97.5	9995	788.99
600 mm high						
KD604F	400	105	545	82.5 or 97.5	2876	323.37
KD606F	600	105	545	82.5 or 97.5	4314	404.21
KD608F	800	105	545	82.5 or 97.5	5752	506.37
KD610F	1000	105	545	82.5 or 97.5	7190	608.13
KD612F	1200	105	545	82.5 or 97.5	8627	718.73
KD614F	1400	105	545	82.5 or 97.5	10065	814.65
KD616F	1600	105	545	82.5 or 97.5	11503	909.08
KD618F	1800	105	545	82.5 or 97.5	12941	1,001.33
KD620F	2000	105	545	82.5 or 97.5	14379	1,094.69

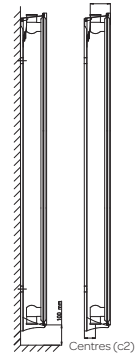


10 10 Year Guarantee

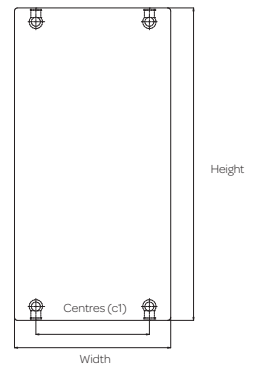
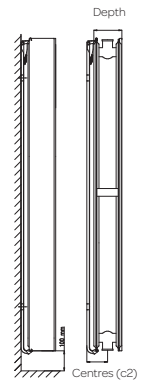
Vertical **K-FLAT KOMPACT**



Type 10 Vertical Flat Radiator



Type 20 Vertical Flat radiator



Sizes indicated may vary by + or - 2mm

Type 10 · Single Panel *

Code	Width (mm)	Depth (mm)	Tapping Centres (mm)		Output $\Delta t 60^\circ\text{C}$ (BTUs)	Price (£)
			(c1)	(c2)		
1800 mm high						
SV318F	300	52.5	245	23	1672	422.96
SV418F	400	52.5	345	23	2235	481.36
SV518F	500	52.5	445	23	2791	541.09
SV618F	600	52.5	545	23	3371	607.47

*TYPE 10 SINGLE PANEL DESIGN DOESN'T HAVE SIDE PANELS

Type 20 · Double Panel

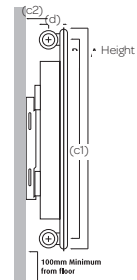
Code	Width (mm)	Depth (mm)	Tapping Centres (mm)		Output $\Delta t 60^\circ\text{C}$ (BTUs)	Price (£)
			(c1)	(c2)		
1800 mm high						
DV318F	300	72.5	245	59	2774	607.47
DV418F	400	72.5	345	59	3709	693.09
DV518F	500	72.5	445	59	4603	784.05
DV618F	600	72.5	545	59	5521	868.54
2000 mm high						
DV420F	400	72.5	345	59	4159	742.64

K-FLAT VERTICAL RADIATORS ARE SUPPLIED WITH AN OPTIONAL RETAINING STAY FOR ENHANCED SAFETY. WE STRONGLY RECOMMEND THE IMPLEMENTATION OF THE SAFETY EQUIPMENT AND WILL NOT ACCEPT RESPONSIBILITY FOR ISSUES OR DAMAGE CAUSED BY NOT USING THE RETAINING STAY.

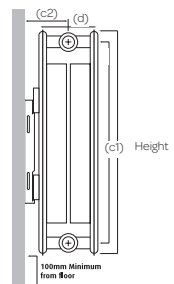
K-FLAT PREMIUM KOMPACT Horizontal



Type 11 Single Convector



Type 22 Double Convactor



Type 11 Single Convactor

Code	Width (mm)	Depth (mm)	Tapping Centres (mm)		Output $\Delta t 60^\circ\text{C}$ (BTUs)	Price (£)
			(c1)	(c2)		
400 mm high						
KS406FP	600	56	345	40 or 55	1586	280.46
KS408FP	800	56	345	40 or 55	2115	332.21
KS410FP	1000	56	345	40 or 55	2644	384.39
KS412FP	1200	56	345	40 or 55	3173	445.80
KS414FP	1400	56	345	40 or 55	3701	493.45
KS416FP	1600	56	345	40 or 55	4230	549.28
500 mm high						
KS504FP	400	56	445	40 or 55	1279	264.71
KS506FP	600	56	445	40 or 55	1918	311.94
KS508FP	800	56	445	40 or 55	2558	374.43
KS510FP	1000	56	445	40 or 55	3197	438.05
KS512FP	1200	56	445	40 or 55	3837	512.42
KS514FP	1400	56	445	40 or 55	4476	569.10
KS516FP	1600	56	445	40 or 55	5116	624.30
600 mm high						
KS604FP	400	56	545	40 or 55	1489	283.06
KS606FP	600	56	545	40 or 55	2233	338.88
KS608FP	800	56	545	40 or 55	2977	411.96
KS610FP	1000	56	545	40 or 55	3722	485.04
KS612FP	1200	56	545	40 or 55	4466	545.39
KS614FP	1400	56	545	40 or 55	5211	634.88
KS616FP	1600	56	545	40 or 55	5955	699.11
KS618FP	1800	56	545	40 or 55	6699	760.75
KS620FP	2000	56	545	40 or 55	7444	823.47

Type 22 Double Convactor

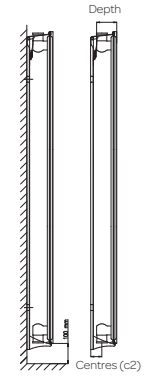
Code	Width (mm)	Depth (mm)	Tapping Centres (mm)		Output $\Delta t 60^\circ\text{C}$ (BTUs)	Price (£)
			(c1)	(c2)		
400 mm high						
KD406FP	600	105	345	82.5 or 97.5	3133	378.34
KD408FP	800	105	345	82.5 or 97.5	4178	462.61
KD410FP	1000	105	345	82.5 or 97.5	5222	547.33
KD412FP	1200	105	345	82.5 or 97.5	6266	641.98
KD414FP	1400	105	345	82.5 or 97.5	7311	721.95
KD416FP	1600	105	345	82.5 or 97.5	8355	810.33
500 mm high						
KD504FP	400	105	445	82.5 or 97.5	2499	351.39
KD506FP	600	105	445	82.5 or 97.5	3748	432.66
KD508FP	800	105	445	82.5 or 97.5	4997	535.92
KD510FP	1000	105	445	82.5 or 97.5	6247	640.03
KD512FP	1200	105	445	82.5 or 97.5	7496	754.07
KD514FP	1400	105	445	82.5 or 97.5	8746	851.08
KD516FP	1600	105	445	82.5 or 97.5	9995	946.79
600 mm high						
KD604FP	400	105	545	82.5 or 97.5	2876	388.23
KD606FP	600	105	545	82.5 or 97.5	4314	485.04
KD608FP	800	105	545	82.5 or 97.5	5752	607.70
KD610FP	1000	105	545	82.5 or 97.5	7190	729.73
KD612FP	1200	105	545	82.5 or 97.5	8627	862.52
KD614FP	1400	105	545	82.5 or 97.5	10065	977.63
KD616FP	1600	105	545	82.5 or 97.5	11503	1,090.79
KD618FP	1800	105	545	82.5 or 97.5	12941	1,201.61
KD620FP	2000	105	545	82.5 or 97.5	14379	1,313.50



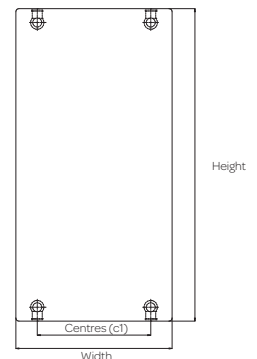
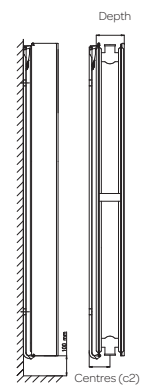
Vertical **K-FLAT PREMIUM KOMPACT** ⋮



Type 10 Vertical Flat Radiator



Type 20 Vertical Flat radiator



Sizes indicated may vary by + or - 2mm

Type 10 · Single Panel*

Code	Width (mm)	Depth (mm)	Tapping Centres (mm)		Output $\Delta t 60^\circ\text{C}$ (BTUs)	Price (£)
			(c1)	(c2)		
1800 mm high						
SV318FP	300	52.5	245	42	1672	486.33
SV418FP	400	52.5	345	42	2235	553.59
SV518FP	500	52.5	445	42	2791	622.14
SV618FP	600	52.5	545	42	3371	698.68

Type 20 · Double Panel

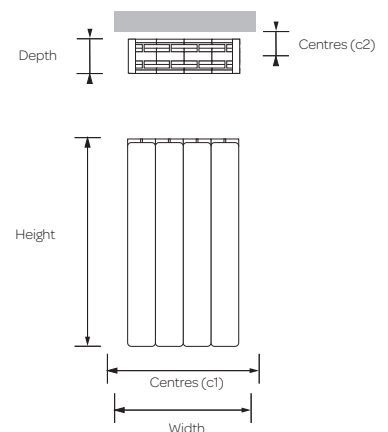
Code	Width (mm)	Depth (mm)	Tapping Centres (mm)		Output $\Delta t 60^\circ\text{C}$ (BTUs)	Price (£)
			(c1)	(c2)		
1800 mm high						
DV318FP	300	72.5	245	59	2774	698.68
DV418FP	400	72.5	345	59	3709	796.96
DV518FP	500	72.5	445	59	4603	901.74
DV618FP	600	72.5	545	59	5521	998.75

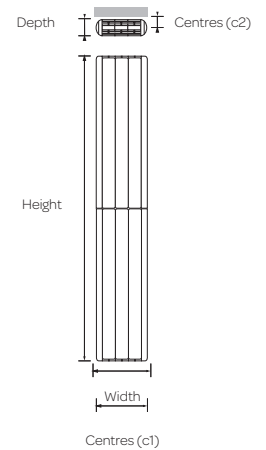
*TYPE 10 SINGLE PANEL DESIGN DOESN'T HAVE SIDE PANELS

K-FLAT VERTICAL RADIATORS ARE SUPPLIED WITH AN OPTIONAL RETAINING STAY FOR ENHANCED SAFETY. WE STRONGLY RECOMMEND THE IMPLEMENTATION OF THE SAFETY EQUIPMENT AND WILL NOT ACCEPT RESPONSIBILITY FOR ISSUES OR DAMAGE CAUSED BY NOT USING THE RETAINING STAY.



Code	Width (mm)	Depth (mm)	Tapping Centres (mm)		Output $\Delta t 60^{\circ}\text{C}$ (BTUs)	Price (£)
			(c1)	(c2)		
581 mm high						
VER500-05	400	95	400	65	2538	218.00
VER500-08	640	95	640	65	4060	326.00
VER500-10	800	95	800	65	5075	396.00
VER500-13	1040	95	1040	65	6598	504.00
VER500-15	1200	95	1200	65	7613	577.00
VER500-18	1440	95	1440	65	9136	689.00
681 mm high						
VER600-05	400	95	400	65	3091	227.00
VER600-08	640	95	640	65	4946	339.00
VER600-10	800	95	800	65	6182	415.00
VER600-13	1040	95	1040	65	8037	530.00
VER600-15	1200	95	1200	65	9273	604.00
VER600-18	1440	95	1440	65	11128	725.00





Code	Width (mm)	Depth (mm)	Tapping Centres (mm)		Output $\Delta t 60^{\circ}\text{C}$ (BTUs)	Price (£)
			(c1)	(c2)		
1870 mm high						
VER1800-03HI	240	100	240	65	3691	569.00
VER1800-04HI	320	100	320	65	4922	778.00
VER1800-05HI	400	100	400	65	6152	901.00
VER1800-06HI	480	100	480	65	7382	1065.00
VER1800-07HI	560	100	560	65	8613	1262.00



CI Cast Iron

10 10 Year Guarantee



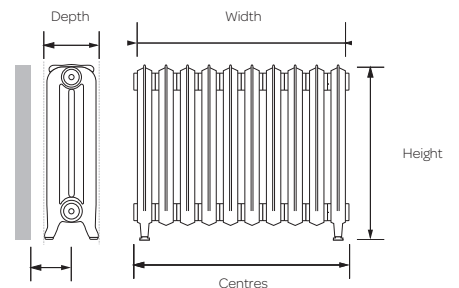
Featured valves

NOSTALGIA THERMOSTATIC TWIN VALVE PACK

VLVCHA-TRV

£80.00

Product Code	Width (mm)	Depth (mm)	Tapping Centres (mm)		No. of Sections	Output $\Delta t60^{\circ}\text{C}$ (BTUs)	Price (£)
			(c1)	(c2)			
760 mm high							
600/180/6	456	180	476	122/132	6	3132	795.00
954 mm high							
800/180/6	456	180	476	122/132	6	3906	1074.00



SUPPLIED IN DARK GREY PRIMER (RAL7022) FOR OVER PAINTING. RAL COLOUR FINISH AVAILABLE - POA
PLEASE ENSURE THAT YOU HAVE A JOINING KEY, TO CHECK ALL JOINTS ARE TIGHT BEFORE INSTALLING.



CI Cast Iron

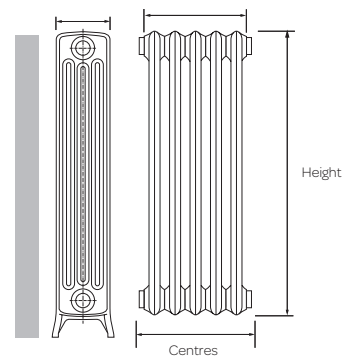
10 10 Year Guarantee

LEGACY ⋮



SHOWN FINISHED IN BLACK RAL9005

Product Code	Width (mm)	Depth (mm)	Tapping Centres (mm)	No. of Sections	Output $\Delta t60^{\circ}\text{C}$ (BTUs)	Price (£)
660 mm high						
4/65/10	600	144	620	10	4007	829.00
4/65/13	780	144	800	13	5209	1083.00
4/65/17	1020	144	1040	17	6812	1403.00
4/65/21	1260	144	1280	21	8414	1723.00
760 mm high						
4/75/10	600	144	620	10	4652	919.00
4/75/13	780	144	800	13	6047	1201.00
4/75/17	1020	144	1040	17	7908	1557.00
4/75/21	1260	144	1280	21	9768	1913.00



RAL COLOUR FINISH AVAILABLE - POA. PLEASE ENSURE THAT YOU HAVE A JOINING KEY, TO CHECK ALL JOINTS ARE TIGHT BEFORE INSTALLING.

SUPPLIED IN DARK GREY PRIMER RAL7022 FOR OVERPAINTING



Featured valves

CUBE VALVES (PAIR)

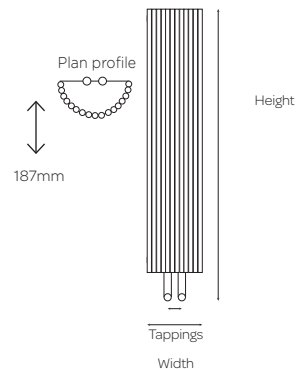
STRAIGHT

CUBE-STR £24.00

ANGLED

CUBE-ANG £24.00

Product Code	Height (mm)	Width (mm)	Tapping Centres (mm)	Output $\Delta t 60^{\circ}\text{C}$ (BTUs)	Price (£)
CVG	2000	351	50	4628	758.00





Featured valves

CUBE VALVES (PAIR)

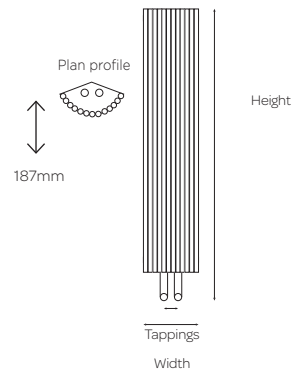
STRAIGHT

CUBE-STR £24.00

ANGLED

CUBE-ANG £24.00

Product Code	Height (mm)	Width (mm)	Tapping Centres (mm)	Output $\Delta t60^{\circ}\text{C}$ (BTUs)	Price (£)
MCI	2000	276	50	5369	906.00



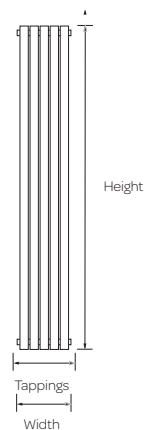


Optional

TOWEL HOLDER
ZXIDA

£243.00

Product Code	Height (mm)	Width (mm)	Tapping Centres (mm)	Output $\Delta t 60^{\circ}\text{C}$ (BTUs)	Price (£)
IDA15-0240	1500	240	200	2667	868.00
IDA15-0340	1500	340	300	3735	1214.00
IDA18-0240	1800	240	200	3200	1001.00
IDA18-0340	1800	340	300	4483	1300.00
IDA18-0440	1800	440	400	5780	1659.00



Chrome
Plated

5 5 Year
Guarantee

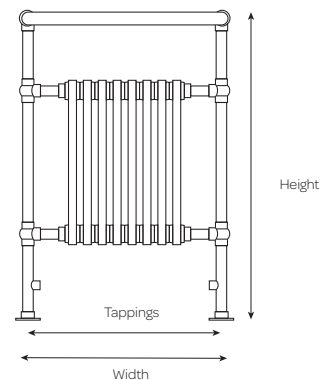
CROWN ⋮



Featured valves

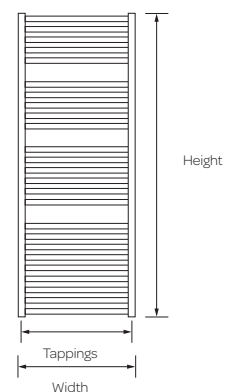
TRADITIONAL CROSS HEAD
VALVES CHROME (PAIR)
TRAD-CROSS-ANG £29.00

Product Code	Height (mm)	Width (mm)	Tapping Centres (mm)	Output $\Delta t60^{\circ}\text{C}$ (BTUs)	Price (£)
LAS	945	675	528	5521	489.00
LAS-1	945	500	356	3013	469.00





Product Code	Height (mm)	Width (mm)	Tapping Centres (mm)	Output $\Delta t60^{\circ}\text{C}$ (BTUs)	Price (£)
MET800-500	800	500	475	1701	299.00
MET800-600	800	600	575	1841	319.00
MET1200-500	1200	500	475	2192	439.00
MET1200-600	1200	600	575	2625	459.00



SS Stainless Steel

10 10 Year Guarantee

TOLEDO ⋮



Featured valves

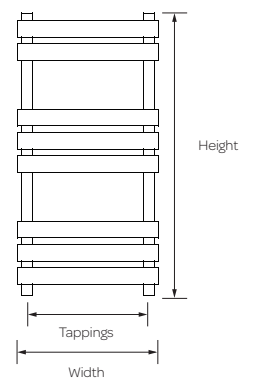
CUBE VALVES (PAIR)
STRAIGHT

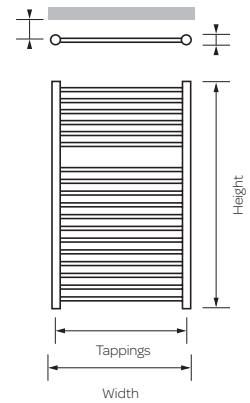
CUBE-STR £24.00

ANGLED

CUBE-ANG £24.00

Product Code	Height (mm)	Width (mm)	Tapping Centres (mm)	Output $\Delta t60^{\circ}\text{C}$ (BTUs)	Price (£)
TOL500-1200	1200	500	445	2770	739.00
TOL600-1200	1200	600	545	3440	888.00





Straight

Product Code	Height (mm)	Width (mm)	Tapping Centres (mm)	Output $\Delta t 60^{\circ}\text{C}$ (BTUs)	Price (£)
ORL500-720	720	500	468	1556	407.00
ORL600-720	720	600	568	1682	471.00
ORL500-1200	1200	500	468	2410	606.00
ORL600-1200	1200	600	568	2564	650.00
ORL500-1500	1500	500	468	2853	736.00
ORL600-1500	1500	600	568	3022	780.00

Curved

Product Code	Height (mm)	Width (mm)	Tapping Centres (mm)	Output $\Delta t 60^{\circ}\text{C}$ (BTUs)	Price (£)
ORL500-720C	720	500	468	1556	464.00
ORL600-720C	720	600	568	1682	508.00
ORL500-1200C	1200	500	468	2140	679.00
ORL600-1200C	1200	600	568	2564	752.00
ORL500-1500C	1500	500	468	2853	805.00

SS Stainless Steel

10 10 Year Guarantee

OHIO ⋮



Featured valves

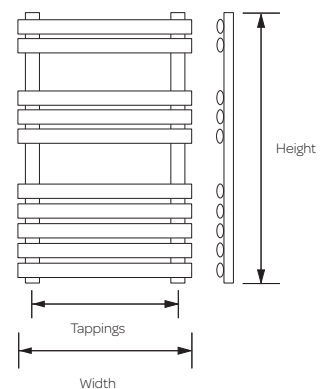
ASPEN VALVES (PAIR)
STRAIGHT

ASP-STR £46.00

ANGLED

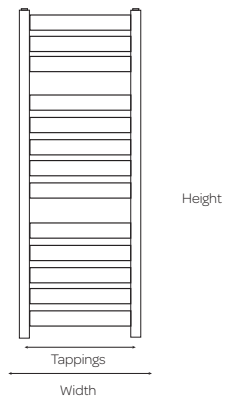
ASP-ANG £43.00

Product Code	Height (mm)	Width (mm)	Tapping Centres (mm)	Output $\Delta t60^{\circ}\text{C}$ (BTUs)	Price (£)
OHI500-800P	800	500	450	2321	599.00
OHI500-1200P	1200	500	450	3480	759.00



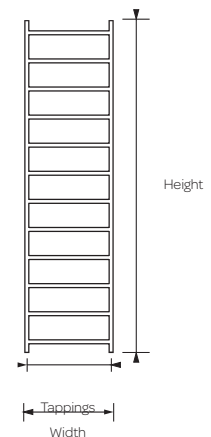


Product Code	Height (mm)	Width (mm)	Depth (mm)	Tapping Centres (mm)	Output $\Delta t_{60^{\circ}\text{C}}$ (BTUs)	Price (£)
EWR	952	500	86	462	1201	349.00
EWR-1	1306	500	86	462	1703	394.00



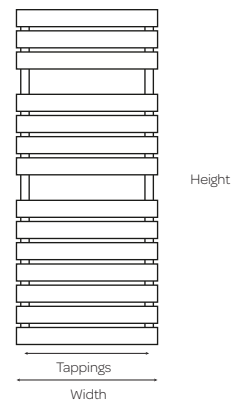


Product Code	Height (mm)	Width (mm)	Tapping Centres (mm)	Output $\Delta t60^{\circ}\text{C}$ (BTUs)	Price (£)
CON500-900	900	500	472	843	560.00
CON350-1200	1200	350	322	891	524.00
CON500-1200	1200	500	472	1124	711.00
CON350-1800	1800	350	322	1050	693.00
CON500-1800	1800	500	472	1323	976.00





Product Code	Height (mm)	Width (mm)	Tapping Centres (mm)	Output $\Delta t60^{\circ}\text{C}$ (BTUs)	Price (£)
ATL500-1200A	1185	500	440	2490	439.00



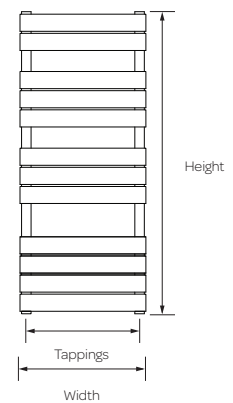
Chrome
Plated

5 5 Year
Guarantee

MEMPHIS ⋮



Product Code	Height (mm)	Width (mm)	Depth (mm)	Tapping Centres (mm)	Output $\Delta t 60^{\circ}\text{C}$ (BTUs)	Price (£)
MEM500-1200	1200	500	65	450	2079	428.00
MEM600-1200	1200	600	65	550	2390	472.00





Oregon
CHROME PLATED

Product Code	Width (mm)	Height (mm)	Output $\Delta t60^{\circ}\text{C}$	Price
ORE500-1200C	500	1180	1652 BTU	£449.00

Oregon
ANTHRACITE COLOUR • MATT FINISH

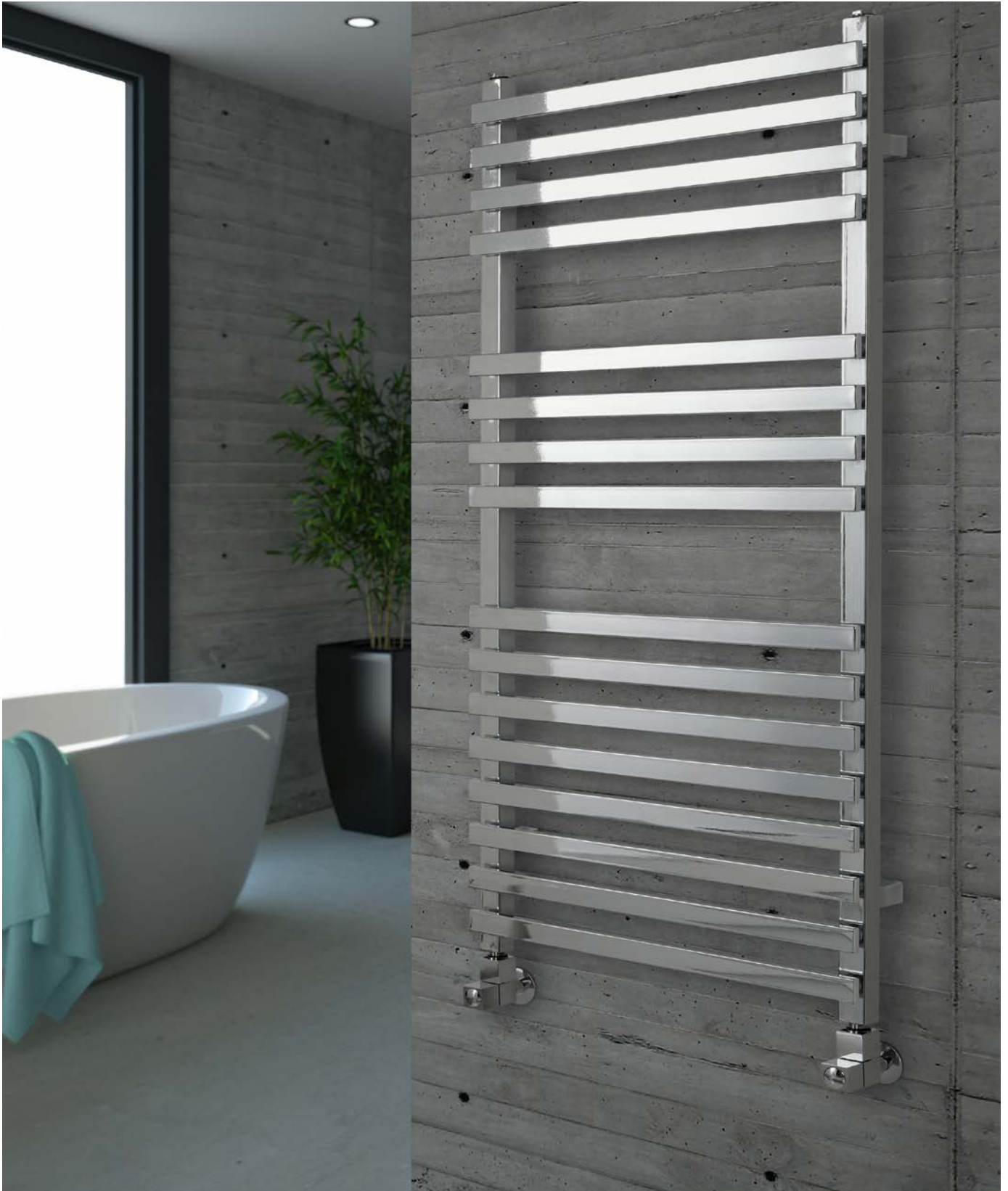
Product Code	Width (mm)	Height (mm)	Output $\Delta t60^{\circ}\text{C}$	Price
ORE500-1200A	500	1180	2140 BTU	£449.00



Chrome
Plated

5 5 Year
Guarantee

MODE ⋮



Product Code	Width (mm)	Height (mm)	Output $\Delta t 60^{\circ}\text{C}$	Price
MOD500-800C	500	800	900 BTU	£339.00
MOD500-1200C	500	1200	1400 BTU	£439.00

NEW YORK

Chrome Plated

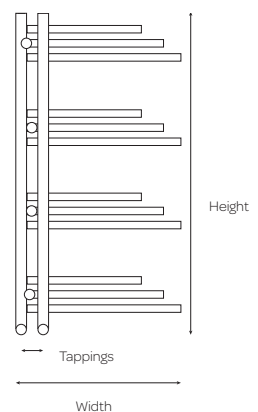
5 Year Guarantee



New York

CHROME

Product Code	Height (mm)	Width (mm)	Tapping Centres (mm)	Output $\Delta t 60^{\circ}\text{C}$ (BTUs)	Price (£)
JFK	906	500	100	1198	379.00



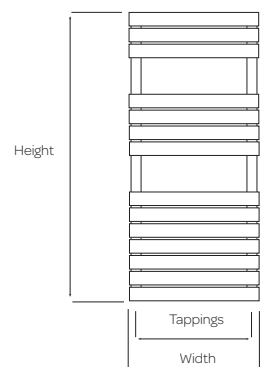
5 5 Year
Guarantee

VENETIAN ⋮



Venetian
ANTHRACITE

Product Code	Height (mm)	Width (mm)	Tapping Centres (mm)	Output $\Delta t60^{\circ}\text{C}$ (BTUs)	Price (£)
VEN850-500A	850	500	450	1943	359.00
VEN1100-500A	1100	500	450	2682	439.00
VEN1500-500A	1500	500	450	3643	549.00



DENVER

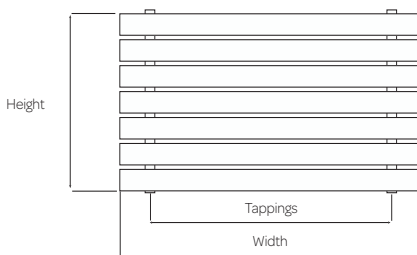
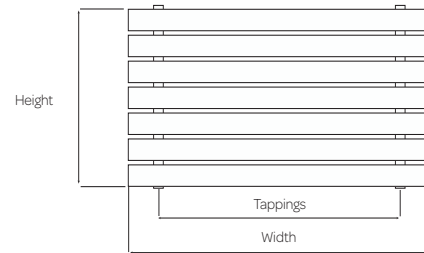
5 5 Year Guarantee



Denver

WHITE

Product Code	Height (mm)	Width (mm)	Tapping Centres (mm)	Output $\Delta t 60^{\circ}\text{C}$ (BTUs)	Price (£)
DEN500-600WT	500	600	400	1844	299.00
DEN500-1000WT	500	1000	800	2620	399.00



Denver

ANTHRACITE

Product Code	Height (mm)	Width (mm)	Tapping Centres (mm)	Output $\Delta t 60^{\circ}\text{C}$ (BTUs)	Price (£)
DEN500-600A	500	600	400	1844	299.00
DEN500-1000A	500	1000	800	2620	399.00

5 5 Year
Guarantee

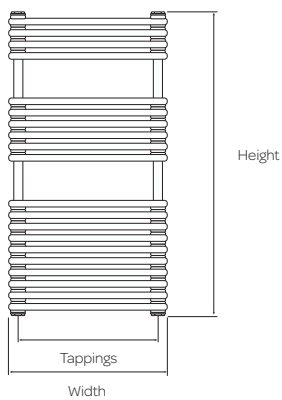
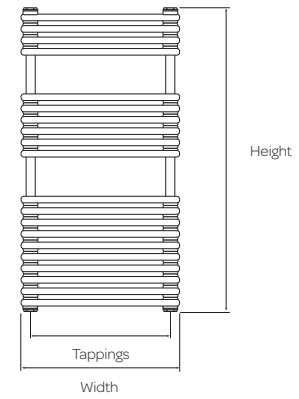
KOLUMN 



Kolumn

WHITE

Product Code	Height (mm)	Width (mm)	Tapping Centres (mm)	Output $\Delta t60^{\circ}\text{C}$ (BTUs)	Price (£)
KOL832-500WT	832	500	425	2186	359.00
KOL1140-500WT	1140	500	425	3295	469.00



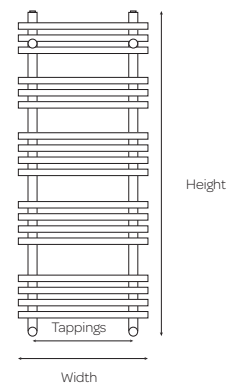
Kolumn

ANTHRACITE

Product Code	Height (mm)	Width (mm)	Tapping Centres (mm)	Output $\Delta t60^{\circ}\text{C}$ (BTUs)	Price (£)
KOL832-500A	832	500	425	2186	359.00
KOL1140-500A	1140	500	425	3295	469.00



Product Code	Height (mm)	Width (mm)	Tapping Centres (mm)	Output $\Delta t60^{\circ}\text{C}$ (BTUs)	Price (£)
OAK	916	500	300	1411	359.00
OAK-1	1176	500	300	1820	399.00



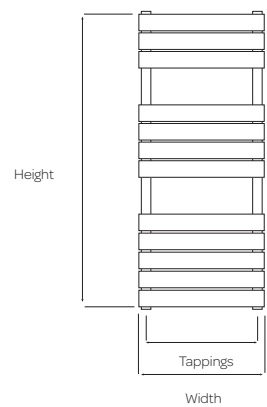
Brushed Brass

5 Year Guarantee

MALIBU



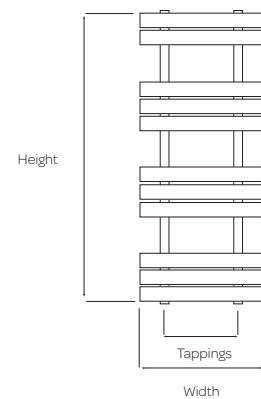
Product Code	Height (mm)	Width (mm)	Tapping Centres (mm)	Output $\Delta t60^{\circ}\text{C}$ (BTUs)	Price (£)
MAL1200-500BB	1200	500	450	1889	£659.00





Tampa
ANTHRACITE

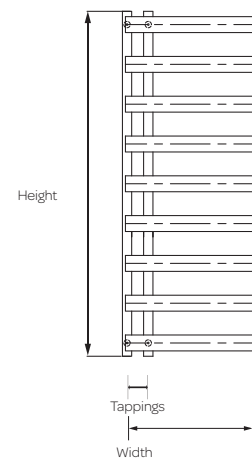
Product Code	Height (mm)	Width (mm)	Tapping Centres (mm)	Output $\Delta t60^{\circ}\text{C}$ (BTUs)	Price (£)
TAM850-500A	850	500	300	2047	£329.00
TAM1200-500A	1200	500	300	2833	£399.00





Texas
ANTHRACITE

Product Code	Width (mm)	Height (mm)	Output $\Delta t60^{\circ}\text{C}$	Tapping Centres (mm)	Price
TEX850-500A	500	850	1703	80	£299.00
TEX1300-500A	500	1300	2566	80	£379.00



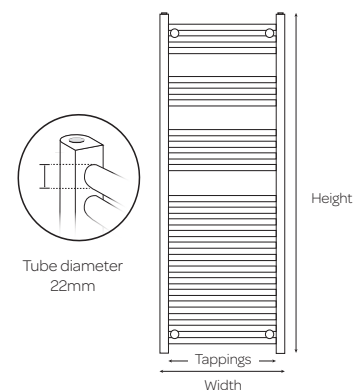
K-RAIL 22mm black

M Matt Finish

5 5 Year Guarantee

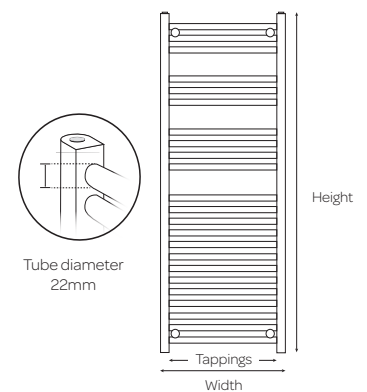


Product Code	Height (mm)	Width (mm)	Tapping Centres (mm)	Output $\Delta t60^{\circ}\text{C}$ (BTUs)	Price (£)
STR408B	800	400	355	1567	135.00
STR410B	1000	400	355	1868	158.00
STR412B	1200	400	355	2274	175.00
STR416B	1600	400	355	3006	214.00
STR508B	800	500	455	1856	145.00
STR510B	1000	500	455	2194	167.00
STR512B	1200	500	455	2680	203.00
STR516B	1600	500	455	3540	234.00
STR608B	800	600	555	2151	155.00
STR610B	1000	600	555	2538	178.00
STR612B	1200	600	555	3109	209.00
STR616B	1600	600	555	4105	250.00





Product Code	Height (mm)	Width (mm)	Tapping Centres (mm)	Output $\Delta t60^{\circ}\text{C}$ (BTUs)	Price (£)
STR408A	800	400	355	1567	135.00
STR410A	1000	400	355	1868	158.00
STR412A	1200	400	355	2274	175.00
STR416A	1600	400	355	3006	214.00
STR508A	800	500	455	1856	145.00
STR510A	1000	500	455	2194	167.00
STR512A	1200	500	455	2680	203.00
STR516A	1600	500	455	3540	234.00
STR608A	800	600	555	2151	155.00
STR610A	1000	600	555	2538	178.00
STR612A	1200	600	555	3109	209.00
STR616A	1600	600	555	4105	250.00



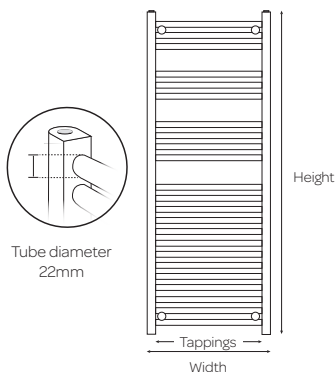


Straight 22mm

Product Code	Width (mm)	Height (mm)	Tapping Centres (mm)	Output $\Delta t60^{\circ}\text{C}$ (BTUs)	Price (£)
STR308W	300	800	255	1364	61.00
STR408W	400	800	355	1567	65.00
STR508W	500	800	455	1856	70.00
STR608W	600	800	555	2151	75.00
STR310W	300	1000	255	1626	72.00
STR410W	400	1000	355	1868	76.00
STR510W	500	1000	455	2194	83.00
STR610W	600	1000	555	2538	86.00
STR312W	300	1200	255	1978	80.00
STR412W	400	1200	355	2274	85.00
STR512W	500	1200	455	2680	93.00
STR612W	600	1200	555	3109	99.00
STR316W	300	1600	255	2614	98.00
STR416W	400	1600	355	3006	104.00
STR516W	500	1600	455	3540	114.00
STR616W	600	1600	555	4105	121.00
STR518W	500	1800	455	4069	144.00
STR618W	600	1800	555	4720	157.00

Curved 22mm

Product Code	Width (mm)	Height (mm)	Tapping Centres (mm)	Output $\Delta t60^{\circ}\text{C}$ (BTUs)	Price (£)
CTR308W	300	800	255	1364	65.00
CTR408W	400	800	355	1567	69.00
CTR508W	500	800	455	1856	74.00
CTR608W	600	800	555	2151	79.00
CTR310W	300	1000	255	1626	76.00
CTR410W	400	1000	355	1868	81.00
CTR510W	500	1000	455	2194	88.00
CTR610W	600	1000	555	2538	91.00
CTR312W	300	1200	255	1978	85.00
CTR412W	400	1200	355	2274	90.00
CTR512W	500	1200	455	2680	99.00
CTR612W	600	1200	555	3109	104.00
CTR316W	300	1600	255	2614	104.00
CTR416W	400	1600	355	3006	108.00
CTR516W	500	1600	455	3540	118.00
CTR616W	600	1600	555	4105	126.00
CTR518W	500	1800	455	4069	152.00
CTR618W	600	1800	555	4720	166.00



NOTES: MAX OPERATING PRESSURE 7 BAR.

Chrome
Plated

5 5 Year
Guarantee

22mm chrome **K-RAIL**

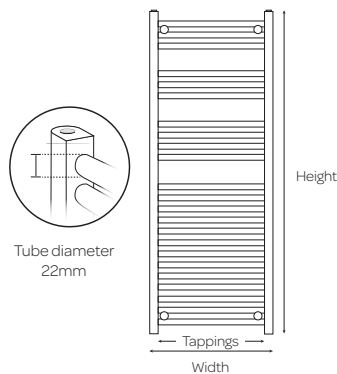


Straight 22mm

Product Code	Width (mm)	Height (mm)	Tapping Centres (mm)	Output $\Delta t60^{\circ}\text{C}$ (BTUs)	Price (£)
STR308C	300	800	255	957	89.00
STR408C	400	800	355	1100	94.00
STR508C	500	800	455	1302	101.00
STR608C	600	800	555	1509	108.00
STR310C	300	1000	255	1140	104.00
STR410C	400	1000	355	1311	110.00
STR510C	500	1000	455	1540	120.00
STR610C	600	1000	555	1781	125.00
STR312C	300	1200	255	1388	116.00
STR412C	400	1200	355	1595	123.00
STR512C	500	1200	455	1881	135.00
STR612C	600	1200	555	2182	144.00
STR316C	300	1600	255	1835	143.00
STR416C	400	1600	355	2108	151.00
STR516C	500	1600	455	2484	165.00
STR616C	600	1600	555	2881	176.00
STR518C	500	1800	455	2855	208.00
STR618C	600	1800	555	3312	227.00

Curved 22mm

Product Code	Width (mm)	Height (mm)	Tapping Centres (mm)	Output $\Delta t60^{\circ}\text{C}$ (BTUs)	Price (£)
CTR308C	300	800	255	957	94.00
CTR408C	400	800	355	1100	100.00
CTR508C	500	800	455	1302	107.00
CTR608C	600	800	555	1509	114.00
CTR310C	300	1000	255	1140	111.00
CTR410C	400	1000	355	1311	117.00
CTR510C	500	1000	455	1540	128.00
CTR610C	600	1000	555	1781	132.00
CTR312C	300	1200	255	1388	123.00
CTR412C	400	1200	355	1595	131.00
CTR512C	500	1200	455	1881	143.00
CTR612C	600	1200	555	2182	153.00
CTR316C	300	1600	255	1835	151.00
CTR416C	400	1600	355	2108	157.00
CTR516C	500	1600	455	2484	171.00
CTR616C	600	1600	555	2881	182.00
CTR518C	500	1800	455	2855	221.00
CTR618C	600	1800	555	3312	241.00



NOTES: MAX OPERATING PRESSURE 7 BAR.

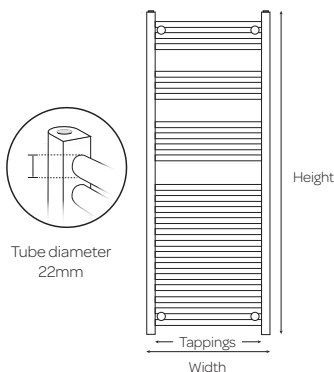


Straight 25mm

Product Code	Width (mm)	Height (mm)	Tapping Centres (mm)	Output $\Delta t_{60^\circ\text{C}}$ (BTUs)	Price (£)
25STR308C	300	800	255	1106	118.00
25STR408C	400	800	355	1272	123.00
25STR508C	500	800	455	1506	132.00
25STR608C	600	800	555	1746	137.00
25STR310C	300	1000	255	1319	132.00
25STR410C	400	1000	355	1516	137.00
25STR510C	500	1000	455	1781	146.00
25STR610C	600	1000	555	2060	151.00
25STR312C	300	1200	255	1605	146.00
25STR412C	400	1200	355	1845	151.00
25STR512C	500	1200	455	2175	160.00
25STR612C	600	1200	555	2524	164.00
25STR316C	300	1600	255	2122	174.00
25STR416C	400	1600	355	2439	169.00
25STR516C	500	1600	455	2873	188.00
25STR616C	600	1600	555	3332	206.00
25STR518C	500	1800	455	3302	244.00
25STR618C	600	1800	555	3830	262.00

Curved 25mm

Product Code	Width (mm)	Height (mm)	Tapping Centres (mm)	Output $\Delta t_{60^\circ\text{C}}$ (BTUs)	Price (£)
25CTR308C	300	800	255	1106	125.00
25CTR408C	400	800	355	1272	130.00
25CTR508C	500	800	455	1506	146.00
25CTR608C	600	800	555	1746	151.00
25CTR310C	300	1000	255	1319	139.00
25CTR410C	400	1000	355	1516	144.00
25CTR510C	500	1000	455	1781	154.00
25CTR610C	600	1000	555	2060	158.00
25CTR312C	300	1200	255	1605	154.00
25CTR412C	400	1200	355	1845	158.00
25CTR512C	500	1200	455	2175	168.00
25CTR612C	600	1200	555	2524	172.00
25CTR316C	300	1600	255	2122	188.00
25CTR416C	400	1600	355	2439	193.00
25CTR516C	500	1600	455	3302	202.00
25CTR616C	600	1600	555	3332	220.00
25CTR518C	500	1800	455	3302	258.00
25CTR618C	600	1800	555	3830	276.00



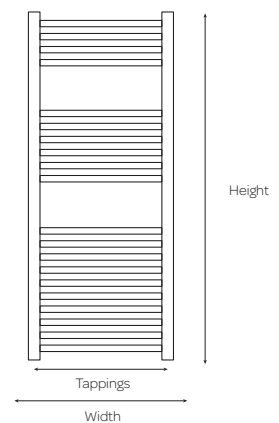
Chrome
Plated

5 5 Year
Guarantee

25mm chrome **K-SQUARE** 



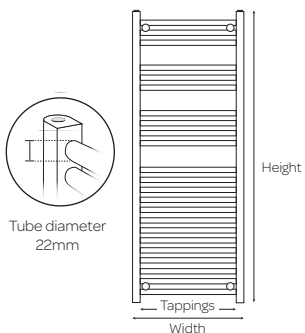
Product Code	Height (mm)	Width (mm)	Tapping Centres (mm)	Output $\Delta t 60^{\circ}\text{C}$ (BTUs)	Price (£)
SQR508C	800	500	455	1310	222.00
SQR608C	800	600	555	1520	250.00
SQR512C	1200	500	455	1910	306.00
SQR612C	1200	600	555	2200	334.00
SQR516C	1600	500	455	2495	390.00
SQR616C	1600	600	555	2890	432.00



COLOURED K-RAILS

G Gloss Finish

5 5 Year Guarantee



NOTES: MAX OPERATING PRESSURE 7 BAR.

COLOURED K-RAILS



**MAKE A STATEMENT WITH OUR COLOURED K-RAILS.
AVAILABLE IN 7 BOLD COLOURS.**

- Grey (GR)
RAL7001
- Blue (BL)
RAL5002
- Light Blue (LB)
RAL5024
- Red (R)
RAL3020
- Magenta (M)
RAL4010
- Orange (O)
RAL2004
- Bright Yellow (Y)
RAL1016

Straight 22mm

Product Code	Width (mm)	Height (mm)	Output $\Delta t60^{\circ}\text{C}$	Price
STR308	300	800	1364	£156.00
STR408	400	800	1567	£159.00
STR508	500	800	1856	£164.00
STR608	600	800	2151	£169.00
STR310	300	1000	1626	£166.00
STR410	400	1000	1868	£170.00
STR510	500	1000	2194	£177.00
STR610	600	1000	2538	£180.00
STR312	300	1200	1978	£190.00
STR412	400	1200	2274	£195.00
STR512	500	1200	2680	£203.00
STR612	600	1200	3109	£209.00
STR316	300	1600	2614	£224.00
STR416	400	1600	3006	£230.00
STR516	500	1600	3540	£240.00
STR616	600	1600	4105	£247.00
STR518	500	1800	4069	£301.00
STR618	600	1800	4720	£314.00

Curved 22mm

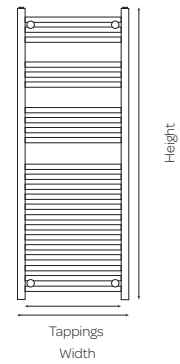
Product Code	Width (mm)	Height (mm)	Output $\Delta t60^{\circ}\text{C}$	Price
CTR308	300	800	1364	£159.00
CTR408	400	800	1567	£163.00
CTR508	500	800	1856	£168.00
CTR608	600	800	2151	£173.00
CTR310	300	1000	1626	£171.00
CTR410	400	1000	1868	£175.00
CTR510	500	1000	2194	£182.00
CTR610	600	1000	2538	£186.00
CTR312	300	1200	1978	£195.00
CTR412	400	1200	2274	£200.00
CTR512	500	1200	2680	£209.00
CTR612	600	1200	3109	£215.00
CTR316	300	1600	2614	£230.00
CTR416	400	1600	3006	£234.00
CTR516	500	1600	3540	£244.00
CTR616	600	1600	4105	£251.00
CTR518	500	1800	4069	£309.00
CTR618	600	1800	4720	£324.00

PLEASE NOTE THAT WHILE THE PRINTED COLOURS IN THIS PUBLICATION ARE A GOOD REFLECTION, THEY MAY NOT BE AN EXACT MATCH TO THE FINISHED PRODUCTS. ALL FINISHES ARE GLOSS. THIS PRODUCT IS MADE TO ORDER.

ELECTRIC RAILS

Chrome
Plated

5 Year
Guarantee



Electric Towel Rail – On/Off

Product Code	Height (mm)	Width (mm)	Tapping Centres (mm)	Element Power (W)	Price (£)
Straight					
ESTR508C	800	500	455	150	225.00
ESTR510C	1000	500	455	200	259.00
ESTR512C	1200	500	455	300	293.00
Curved					
ECTR508C	800	500	455	150	232.00
ECTR510C	1000	500	455	200	266.00
ECTR512C	1200	500	455	300	299.00

Electric Towel Rail – Thermostatic

Product Code	Height (mm)	Width (mm)	Tapping Centres (mm)	Element Power (W)	Price (£)
Straight					
ETSTR508C	800	500	455	150	285.00
ETSTR510C	1000	500	455	150	319.00
ETSTR512C	1200	500	455	300	352.00
Curved					
ETCTR508C	800	500	455	150	291.00
ETCTR510C	1000	500	455	150	325.00
ETCTR512C	1200	500	455	300	359.00

NOTES: MAX OPERATING PRESSURE 7 BAR.

THERMOSTATIC RADIATOR VALVES



K-DESIGN ANGLED TWIN VALVE PACK -
CHROME
CR-TRV301A

£79.99



K-DESIGN STRAIGHT TWIN VALVE PACK
CHROME
CR-TRV201S

£85.00



K-DESIGN CORNER TWIN VALVE PACK
CHROME
CR-TRV101C

£89.99



K-DESIGN ANGLED TWIN VALVE PACK
BLACK
BK-TRV301A

£79.99



K-DESIGN STRAIGHT TWIN VALVE PACK
BLACK
BK-TRV201S

£85.00



K-DESIGN CORNER TWIN VALVE PACK
BLACK
BK-TRV101C

£89.99



K-DESIGN ANGLED TWIN VALVE PACK
ANTHRACITE
AN-TRV301A

£79.99



K-DESIGN STRAIGHT TWIN VALVE PACK
ANTHRACITE
AN-TRV201S

£85.00



K-DESIGN CORNER TWIN VALVE PACK
ANTHRACITE
AN-TRV101C

£89.99



K-DESIGN ANGLED TWIN VALVE PACK
WHITE
WT-TRV301A

£79.99



K-DESIGN STRAIGHT TWIN VALVE PACK
WHITE
WT-TRV201S

£85.00



K-DESIGN CORNER TWIN VALVE PACK
WHITE
WT-TRV101C

£89.99

⋮ THERMOSTATIC RADIATOR VALVES



K-THERM REFINED ALL CHROME
THERMOSTATIC VALVE
STRAIGHT **TRVRS**
ANGLED **TRVRAC**

£22.00
£18.00



K-DESIGN ANGLED TWIN VALVE PACK
BRUSHED NICKEL
NK-TRV301A

£85.00



K-DESIGN CORNER TWIN VALVE PACK
BRUSHED NICKEL
NK-TRV101C

£94.99



NOSTALGIA THERMOSTATIC TWIN VALVE
PACK
VLVCHA-TRV

£80.00



K-DESIGN ANGLED TWIN VALVE PACK
BRUSHED BRASS
BR-TRV301A

£85.00



K-DESIGN CORNER TWIN VALVE PACK
BRUSHED BRASS
BR-TRV101C

£94.99



K-THERM STYLE ANGLED TWIN VALVE
PACK
TPLSTRVSA

£17.00



K-THERM REFINED ANGLED TWIN VALVE
PACK
TPLSTRVRA

£25.00



K-THERM REFINED THERMOSTATIC VALVE
STRAIGHT **TRVRS**
ANGLED **TRVRA**

£20.00
£18.00



K-THERM STYLE THERMOSTATIC VALVE
STRAIGHT **TRVSS**
ANGLED **TRVSA**

£13.00
£13.00

MANUAL RADIATOR VALVES



MODERN VALVES CHROME (PAIR)
STRAIGHT
KART-STR £18.00
ANGLED
KART-ANG £18.00



MODERN VALVES WHITE (PAIR)
STRAIGHT
WHITE-STR £38.50
ANGLED
WHITE-ANG £38.50



MODERN VALVES ANTHRACITE (PAIR)
STRAIGHT
ANTH-STR £38.50
ANGLED
ANTH-ANG £38.50



MODERN VALVES BLACK (PAIR)
STRAIGHT
BLACK-STR £38.50
ANGLED
BLACK-ANG £38.50



CORNER VALVES (PAIR)
CRNV £26.50



CORNER VALVES WHITE (PAIR)
CRNV-WHITE £47.00



CORNER VALVES ANTHRACITE (PAIR)
CRNV-ANTH £47.00



CORNER VALVES BLACK (PAIR)
CRNV-BLACK £47.00



ASPEN VALVES (PAIR)
STRAIGHT
ASP-STR £46.00
ANGLED
ASP-ANG £43.00



DUAL FUEL CORNER VALVES FOR ELEMENTS
CRNV-DF £66.00



CUBE VALVES (PAIR)
STRAIGHT
CUBE-STR £24.00
ANGLED
CUBE-ANG £24.00



TIMES MANUAL VALVES (PAIR)
STRAIGHT
CROSS-STR £25.00
ANGLED
CROSS-ANG £25.00



TRADITIONAL CROSS HEAD VALVES CHROME (PAIR)
TRAD-CROSS-ANG £29.00



NOSTALGIA MANUAL VALVES (PAIR)
VLVCHA-AB1 £60.50



TRADITIONAL VALVES CHROME (PAIR)
TRAD-ANG-C £44.00



TRADITIONAL VALVES BRASS (PAIR)
TRAD-ANG-B £49.50

ELEMENTS AND ACCESSORIES



HEATING ELEMENT CHROME

Product Code	Element Power (W)	Price (£)
HE150C	150	63.00
HE300C	300	66.00
HE600C	600	70.00



HEATING ELEMENT BLACK

Product Code	Element Power (W)	Price (£)
HE150B	150	63.00
HE300B	300	66.00
HE600B	600	70.00



HEATING ELEMENT ANTHRACITE

Product Code	Element Power (W)	Price (£)
HE150A	150	63.00
HE300A	300	66.00
HE600A	600	70.00



THERMOSTATIC HEATING ELEMENT CHROME

Product Code	Element Power (W)	Price (£)
TE300C	300	135.00
TE600C	600	145.00



THERMOSTATIC HEATING ELEMENT BLACK

Product Code	Element Power (W)	Price (£)
TE300B	300	135.00
TE600B	600	145.00



THERMOSTATIC HEATING ELEMENT ANTHRACITE

Product Code	Element Power (W)	Price (£)
TE300A	300	135.00
TE600A	600	145.00



15MM PIPES AND ROSETTES CHROME
180MM LENGTH (PAIR)

Product Code	Price (£)
CR-PIPE01	33.00



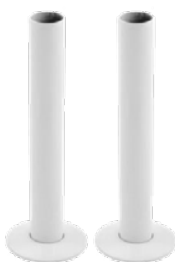
15MM PIPES AND ROSETTES BLACK
180MM LENGTH (PAIR)

Product Code	Price (£)
BK-PIPE01	33.00



15MM PIPES AND ROSETTES ANTHRACITE
180MM LENGTH (PAIR)

Product Code	Price (£)
AN-PIPE01	33.00



15MM PIPES AND ROSETTES WHITE
180MM LENGTH (PAIR)

Product Code	Price (£)
WT-PIPE01	33.00



15MM PIPES AND ROSETTES BRUSHED
NICKEL 180MM LENGTH (PAIR)

Product Code	Price (£)
NK-PIPE01	36.00



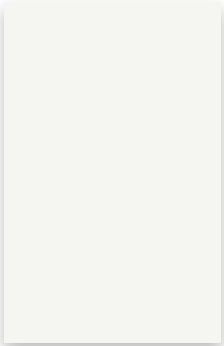
15MM PIPES AND ROSETTES BRASS
180MM LENGTH (PAIR)

Product Code	Price (£)
BR-PIPE01	36.00

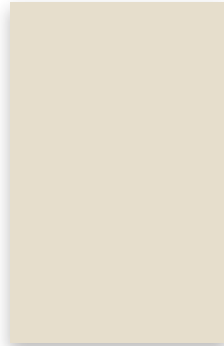


K-RAD KOLOURS

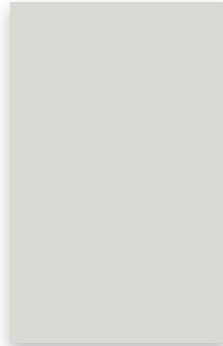
A selection of our most popular RAL colours, available on selected Designer Radiators and Towel Rails, for those that require a more unique look.



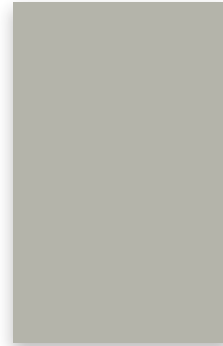
RAL 9010
Pure White



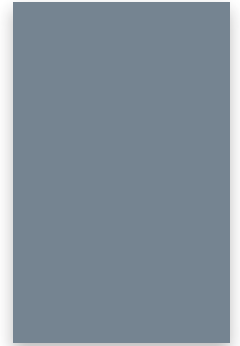
RAL 1013
Oyster White



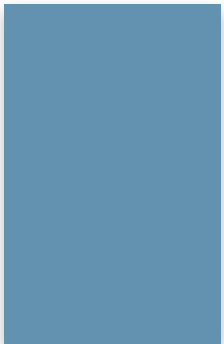
RAL 9002
Grey White



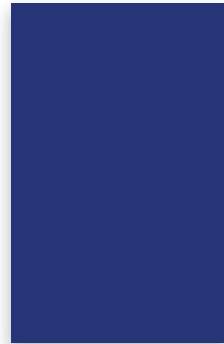
RAL 7032
Pebble Grey



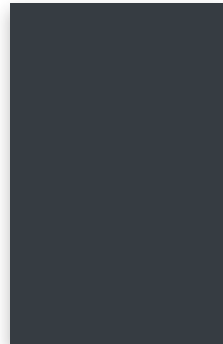
RAL 7001
Silver Grey



RAL 5024
Pastel Blue



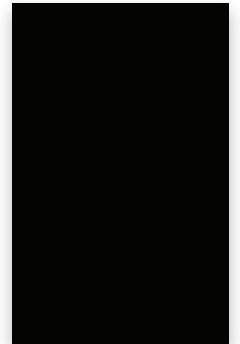
RAL 5002
Ultramarine



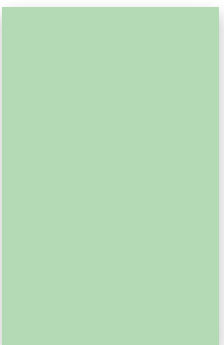
RAL 7016
Anthracite



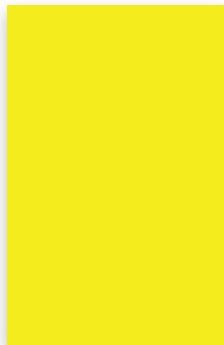
RAL 5013
Cobalt Blue



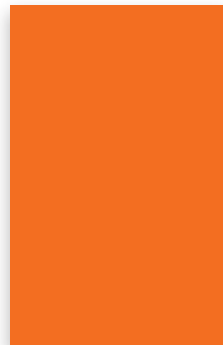
RAL 9005
Jet Black



RAL 6019
Pastel Green



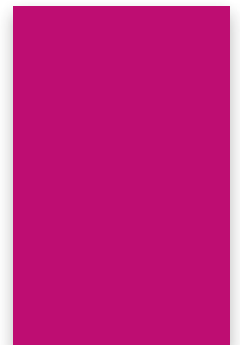
RAL 1016
Sulphur Yellow



RAL 2004
Brilliant Orange



RAL 3020
Traffic Red



RAL 4010
Telemagenta

CAST IRON & TUBULAR STEEL: £36 PER SECTION SURCHARGE FOR K-RAD KOLOURS.

K-FLATS & K-RADS: PRICE ON APPLICATION FOR K-RAD KOLOURS.

OTHER COLOURS ONLY AVAILABLE UPON REQUEST. PLEASE CONTACT THE SALES OFFICE FOR PRICING.

PLEASE NOTE THAT WHILE THE PRINTED COLOURS IN THIS PUBLICATION ARE A GOOD REFLECTION, THEY MAY NOT BE AN EXACT MATCH TO THE FINISHED PRODUCTS. ALL FINISHES ARE GLOSS.

KARTELL^{UK}

16-19 The Manton Centre, Manton Lane,
Bedford MK41 7PX

Tel: 01234 363 393 Fax: 01234 363 488

Unit 3, Greenbank Business Park, Swan Lane,
Hindley Green, Wigan WN2 4AY

Tel: 01942 257 800 Fax: 01942 257 900

CUSTOMER SERVICE

For Support with Any of Our Products,
Email customerservice@kartelluk.com
or Call 0330 808 5049

Kartelluk.com



*Request Our
Bathroom Brochure
For More Interior Inspiration
For Your Home*