

CUSTOMER COPY



**Inventive
Creations**

**PRODUCT
RANGE**

MARCH
2023

CONTENTS

Shower Cartridge Range.....	4
Thermostatic Shower Cartridge Range.....	4
Flow Cartridges for Shower Valves	8
Tap Reviver Kits	14
Complete Waste Range	16
Basin Waste.....	16
Bath Waste	18
Basin Overflow Cover.....	20
Tap Cartridge Range.....	21
Shower Miscellaneous Range.....	30
Washer Range.....	32
Uni Product Range	38
AAV Range.....	42
Aerators	43
Fixings	44
Miscellaneous Range.....	46
Shower Seal Range.....	47

A Brief History of a Growing Family Business

In 2007, a small company called The Shower Seal Shop Ltd was born. It started with little more than £100 and an idea that would help customers across the UK solve a very common problem. As the very first supplier of replacement shower seals, the company quickly grew, enabling re-investment for new ideas and products.

Our early company ethos was to tackle common problems experienced by customers in the bathroom and plumbing industry.

After launching many pioneering products such as The Uniblade – the only shower seal to fit any glass thickness straight or curved. The Uniwheel – the world’s first universal shower door runner. The Chameleon wet room solution seal and many others, it was clear that our ideas were very well received by you, the retailers.

Your amazing response has encouraged us to keep designing, producing and evolving. In 2015 we launched Inventive Creations Ltd. With our sister company, we are rapidly moving forward with even

more exciting new products and ideas. Our Tap cartridge range and Splinefinder have taken the country by storm and there are plenty more product ideas in the pipeline...

Within these pages you will find product ranges for both The Shower Seal Shop Ltd and Inventive Creations Ltd. We hope you will find it a useful tool to compliment your business and customer service.



THERMOSTATIC SHOWER CARTRIDGE RANGE

Actual Size Pictures for Easy Comparison

THERMO 1



SCAN ME
See what Thermo 1 Fits

Top



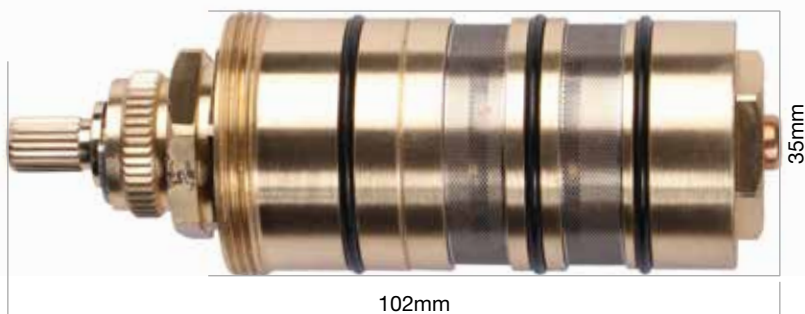
Bottom



THERMO 1

Actual Size Pictures for Easy Comparison

THERMO 2



SCAN ME
See what Thermo 2 Fits

Top



Bottom



THERMO 2

THERMO 3

Actual Size Pictures for Easy Comparison



SCAN ME
See what Thermo 3 Fits

Top



Bottom



THERMO 3

THERMO 4

Actual Size Pictures for Easy Comparison



SCAN ME
See what Thermo 4
Fits

Top



Bottom



THERMO 4

SHOWER CARTRIDGE RANGE

THERMO 5

Actual Size Pictures for Easy Comparison



Top



Bottom



Parts



SCAN ME
See what Thermo 5 Fits

THERMO 5

Actual Size Pictures for Easy Comparison

THERMO 6



Top



Bottom



SCAN ME
See what Thermo 6 Fits

THERMO 6

THERMO 7

Actual Size Pictures for Easy Comparison



SCAN ME
See what Thermo 7 Fits

Top



Bottom



40mm

THERMO 7

The Thermo Box

A great way to store your Thermo Cartridge Range!

The Thermo Box measures 46cm Wide x 36cm Deep x 8cm High allowing storage of 1 of each of our most popular Thermostatic shower cartridges!

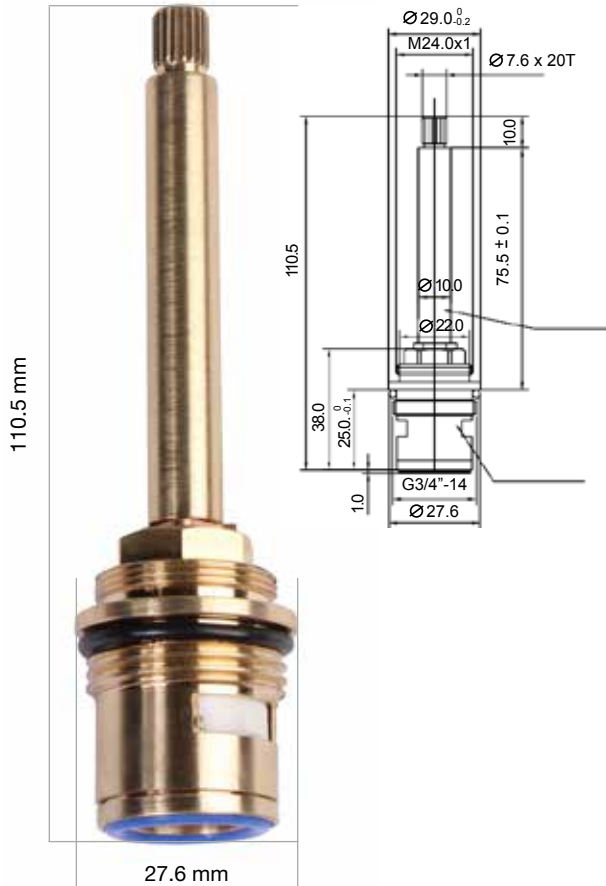
- Extremely durable
- Strong latches and handle
- More space

THERMOBOX	Thermo Cartridge Box
-----------	----------------------

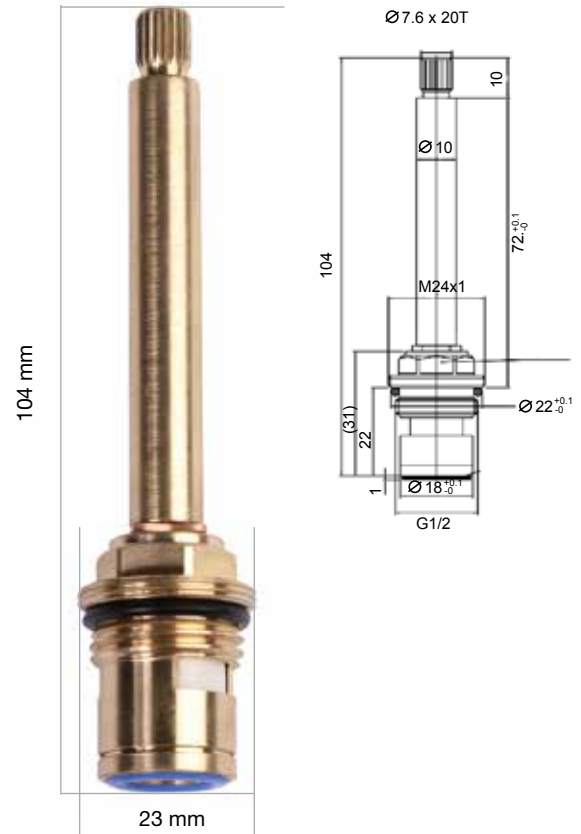


FLOW CARTRIDGES FOR SHOWER VALVES

Actual Size Pictures for Easy Comparison



Actual Size Pictures for Easy Comparison



COMPATIBLE WITH SPLINE CC1

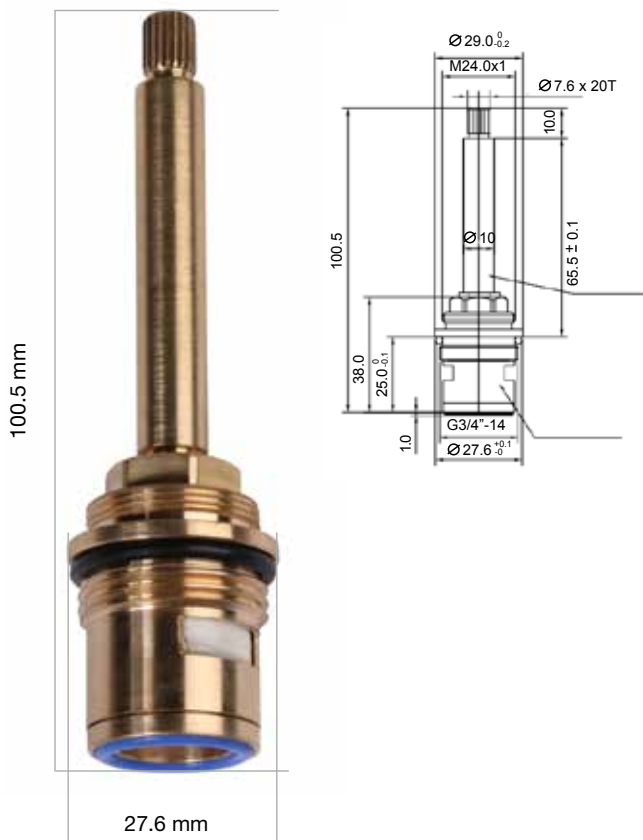
<p>Close 90° Open $\text{Ø}18.8$ $\text{S}17_{-0.2}^{+0.0}$ M4 depth 13mm</p>	<p>Left hand opening on/off Flow Cartridge</p>
<p>CODE: SH1L</p>	
<p>Open 90° Close $\text{Ø}18.8$ $\text{S}17_{-0.2}^{+0.0}$ M4 depth 13mm</p>	<p>Right hand opening on/off Flow Cartridge</p>
<p>CODE: SH1R</p>	

COMPATIBLE WITH SPLINE CC1

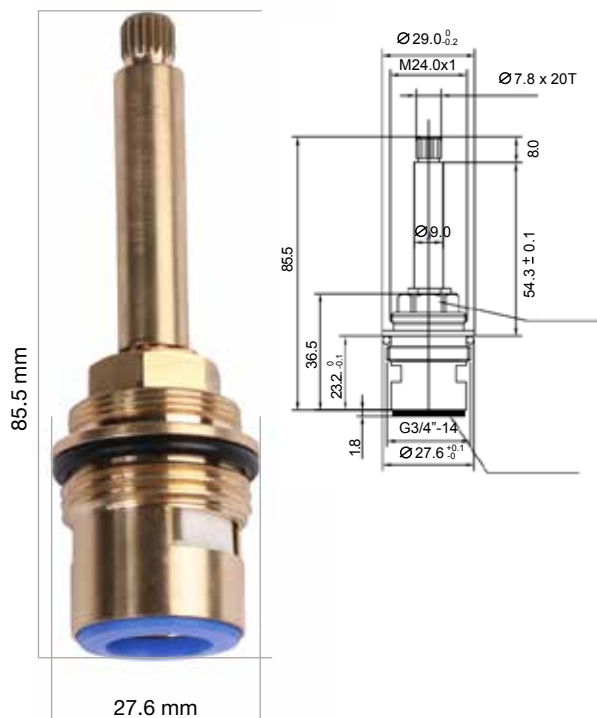
<p>Close 90° Open $\text{Ø}18.8$ $\text{S}17_{-0.2}^{+0.0}$ M4 depth 13mm</p>	<p>Left hand opening on/off Flow Cartridge</p>
<p>CODE: SH2L</p>	
<p>Open 90° Close $\text{Ø}18.8$ $\text{S}17_{-0.2}^{+0.0}$ M4 depth 13mm</p>	<p>Right hand opening on/off Flow Cartridge</p>
<p>CODE: SH2R</p>	

SHOWER CARTRIDGE RANGE

Actual Size Pictures for Easy Comparison



Actual Size Pictures for Easy Comparison



COMPATIBLE WITH SPLINE CC1

	<p>Left hand opening on/off Flow Cartridge</p>
	<p>CODE: SH3L</p>

	<p>Right hand opening on/off Flow Cartridge</p>
	<p>CODE: SH3R</p>

COMPATIBLE WITH SPLINE CC1

	<p>Left hand opening on/off Flow Cartridge</p>
	<p>CODE: SH4L</p>

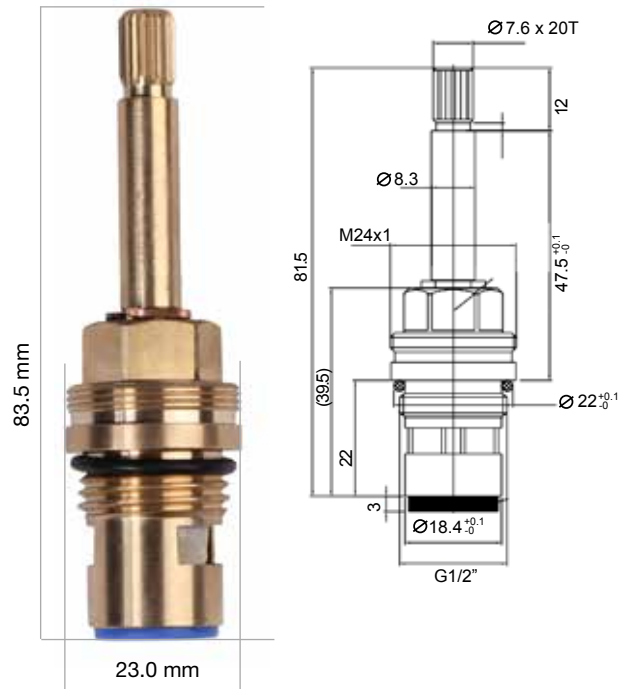
	<p>Right hand opening on/off Flow Cartridge</p>
	<p>CODE: SH4R</p>

SHOWER CARTRIDGE RANGE

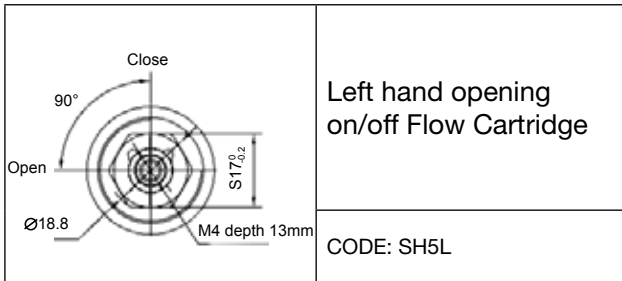
Actual Size Pictures for Easy Comparison



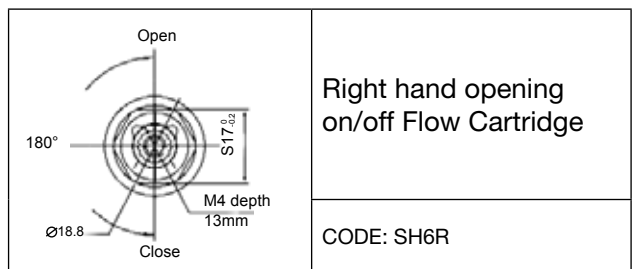
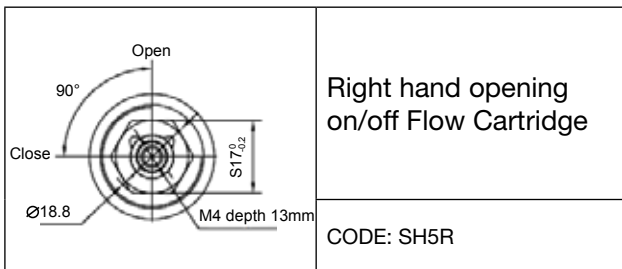
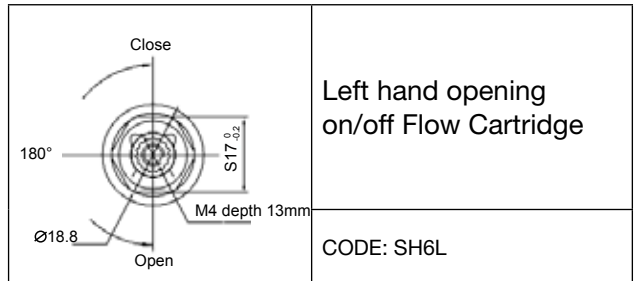
Actual Size Pictures for Easy Comparison



COMPATIBLE WITH SPLINE CC1

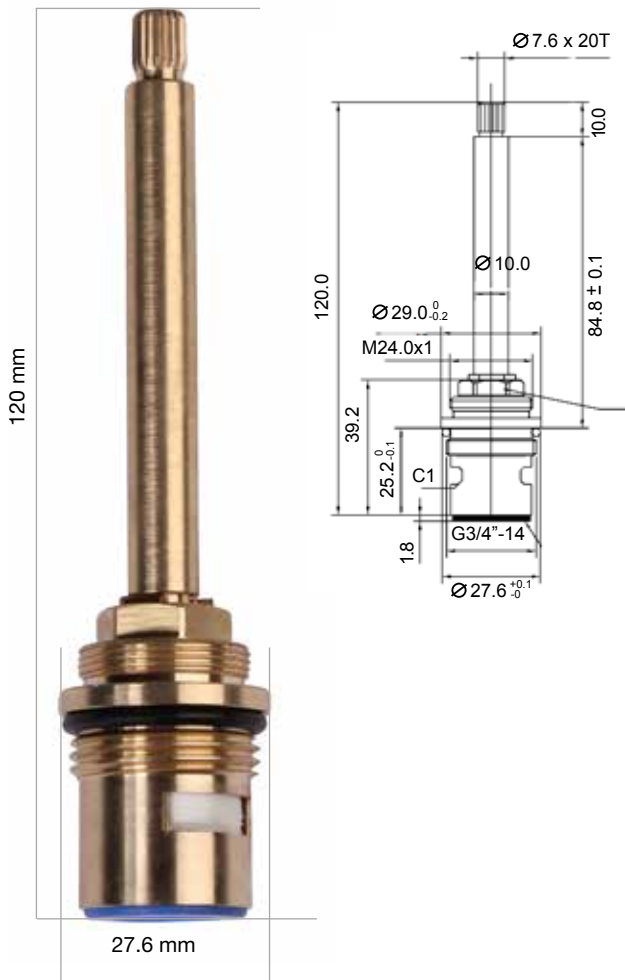


COMPATIBLE WITH SPLINE CC1

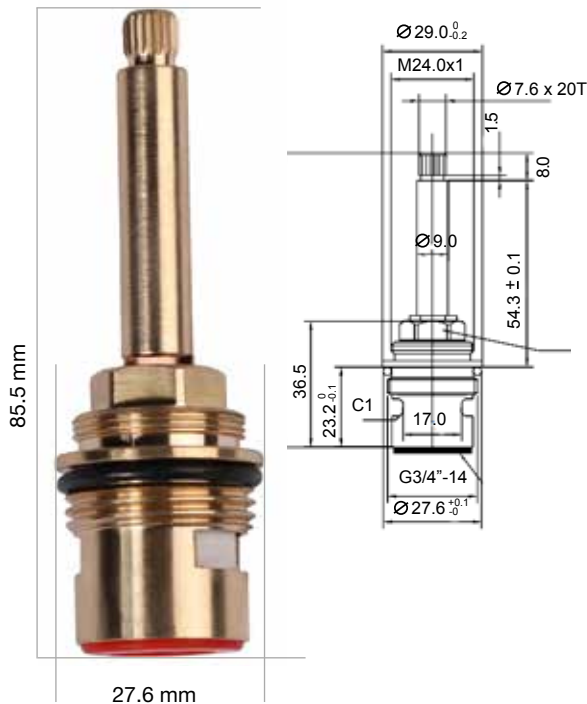


SHOWER CARTRIDGE RANGE

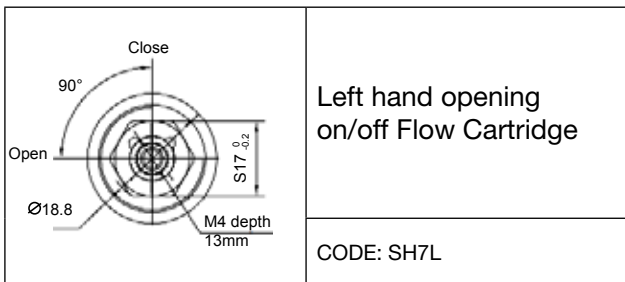
Actual Size Pictures for Easy Comparison



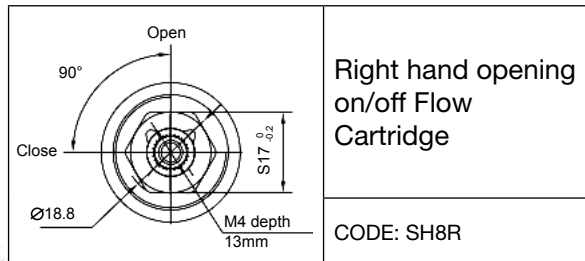
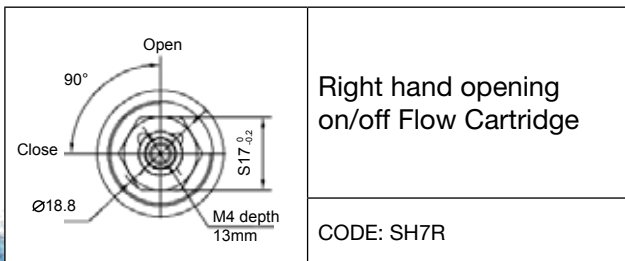
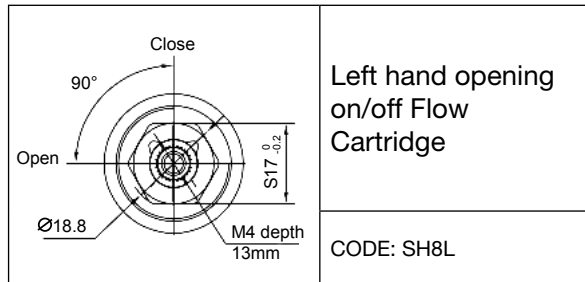
Actual Size Pictures for Easy Comparison



COMPATIBLE WITH SPLINE CC1

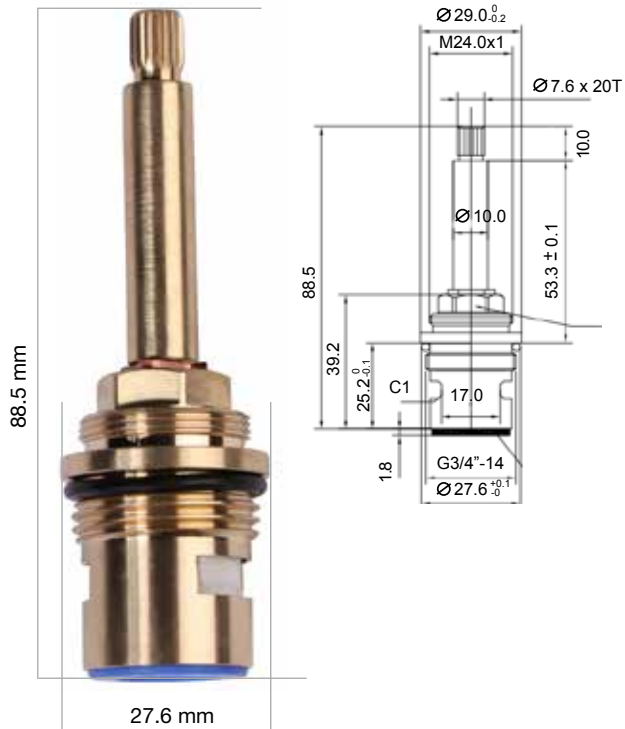


COMPATIBLE WITH SPLINE CC4

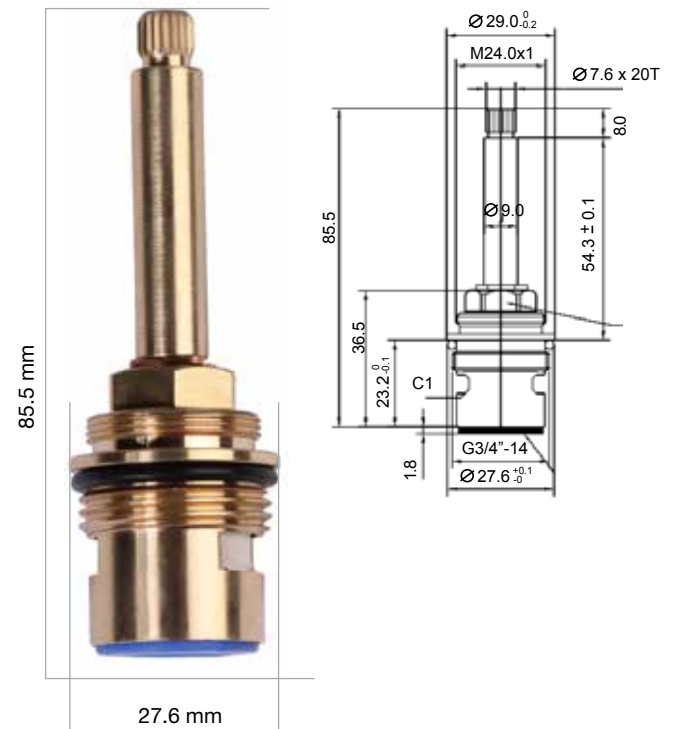


SHOWER CARTRIDGE RANGE

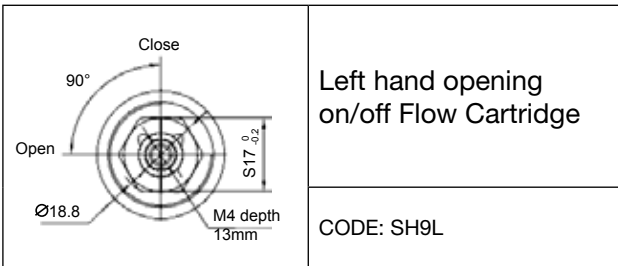
Actual Size Pictures for Easy Comparison



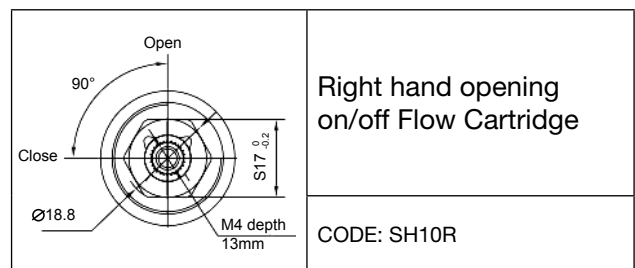
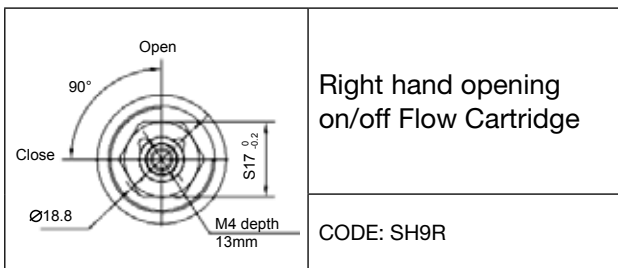
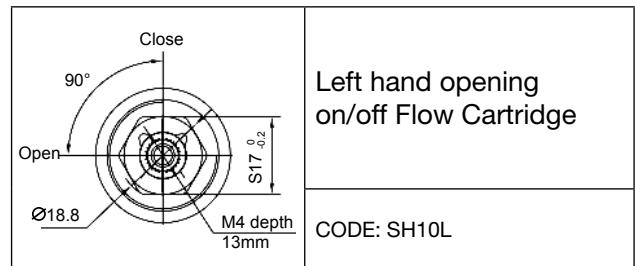
Actual Size Pictures for Easy Comparison



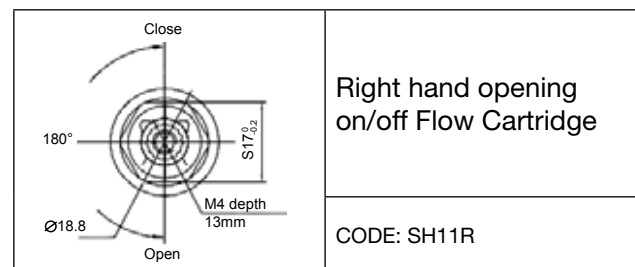
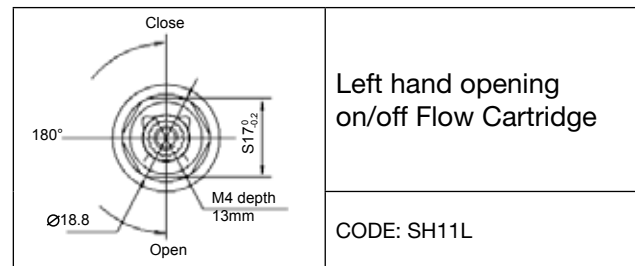
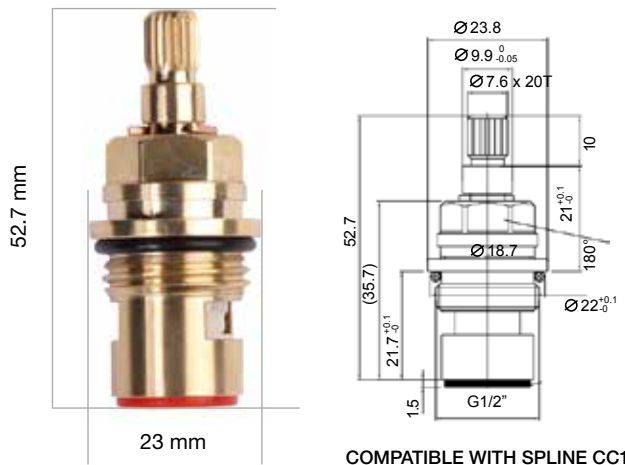
COMPATIBLE WITH SPLINE CC1



COMPATIBLE WITH SPLINE CC1



Actual Size Pictures for Easy Comparison



The Flow Box

A great way to store your Flow Cartridge Range!

The Flow Cartridge Box measures 46cm Wide x 36cm Deep x 8cm High allowing storage our exclusive Flow Cartridge range. There's even space for spares too.'

- Extremely durable.
- Strong latches and handle.
- More space.

The Flow Cartridge Box contains 1 x Left Hand Opening and 1 x Right Hand Opening of cartridge types SH1 to SH11 - (22x cartridges in total.)

FLOWBOX	Flow Cartridge Box
---------	--------------------



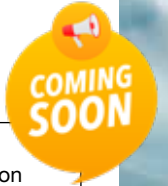
Actual Size Pictures for Easy Comparison



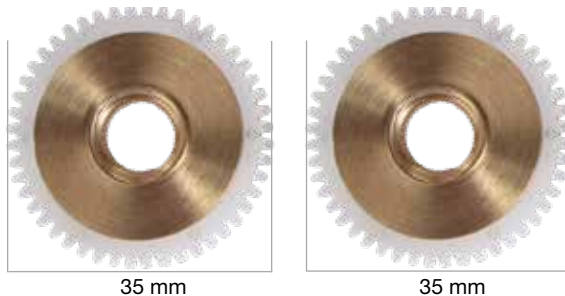
Trevi Type Flow Cartridge – used on many Trevi Shower Valves.

CODE: GEAR CARTRIDGE

SPLINE COMPATIBLE WITH GEAR SET ONLY

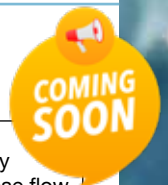


Actual Size Pictures for Easy Comparison



Trevi Type Gear Set – used on many Trevi Shower Valves to open and close flow cartridge. This Gear Set is compatible with flow cartridge type GEAR CARTRIDGE above.

CODE: GEAR SET



TAP REVIVER KITS

Our complete range to revive most tap types.



Standard Metal Head Kit for 1/2" Taps – complete with cartridges

REV1

Convert this kit to 3/4" with our separate Conversion Kit

CONV



3" Lever Metal Head Kit for 1/2 Taps only – complete with cartridges

REV2



3" Lever Metal Head Kit for 3/4 Taps only – complete with cartridges

REV3



Traditional Metal Head Kit for 1/2" Taps – complete with cartridges

REV4

Convert this kit to 3/4" with our separate Conversion Kit

CONV



MODERN HEAD KITS

Each kit contains hot and cold quarter turn valves and a pair of modern heads as detailed. Please specify if you require 1/2 or 3/4 cartridge sizes with the MHK45 kit



32 mm Diameter Heads
1/2 tap valves



36 mm Diameter Heads
1/2 tap valves



45 mm Diameter Heads
1/2 tap valves
3/4 tap valves

MHK32	1/2 tap valves
MHK36	1/2 tap valves

MHK45	1/2 tap valves
MHK45 3/4	3/4 tap valves

COMPLETE WASTE RANGE

BASIN WASTES

THE COMPLETE RANGE

All supplied with Zinc Alloy Back Nuts polished Chrome Finish.



UNS/SL	Our Universal Basin Waste is designed to fit basins with or without overflows. All Solid Brass
--------	---

Its unique internal recessed support bar and extended 1.1/4 thread enables both Unitrap and McAlpine traps to fit easily.



ECBWSS	Easy clean Mushroom Clicker Type (Stainless Steel) Removable mechanism
--------	---



UNSBW1SS	Standard Internal Clicker Type Unslotted (Stainless Steel)
UNSBW1B	Luxury Internal Clicker Type Unslotted (Brass Material)



UNSBW2SS	Standard Mushroom Clicker Type. Unslotted (Stainless Steel)
UNSBW2B	Luxury Mushroom Clicker Type Unslotted (Brass Material)



BW1SS	Standard Internal Clicker Type (Stainless Steel)
BW1B	Luxury Internal Clicker Type (Brass Material)



BW2SS	Standard Mushroom Clicker Type (Stainless Steel)
BW2B	Luxury Mushroom Clicker Type (Brass Material)



BW3SS	Standard Swivel Type Plug (Stainless Steel)
BW3B	Luxury Swivel Type Plug (Brass Material)



BWPC1	Standard Basin Waste Plug and Chain (Stainless Steel)
-------	---



COMPLETE WASTE RANGE

BATH WASTES

THE COMPLETE RANGE



BCW1 CAGE	Bath Waste With Clicker Type Mushroom Plug. Fixed Overflow and Easy Clean Removable Cage (Stainless Steel)
--------------	--

BFW1	Modern Bath Filler C/W Mushroom Clicker - Metal Overflow / Filler (Brass Material)
------	---



PPBW	Parking Plug Bath Waste with Metal Overflow (Stainless Steel)
------	---

EXTBPUW1	Extended version of Bath Pop-up Waste Standard Internal Plug. Metal Overflow Cover (Stainless Steel) (1 mtr long Cable and O/F Hose)
----------	---

EXTBPUW2	Extended version of Bath Pop-up Waste Mushroom Type Plug. Metal Overflow Cover (Stainless Steel) (1 mtr long Cable and O/F Hose)
----------	---

BPUW1	Bath Pop Up Waste Standard Internal Plug. Metal Overflow Cover (Stainless Steel)
-------	--




BPUW2	Bath Pop Up Waste Mushroom Type Plug. Metal Overflow Cover (Stainless Steel)
-------	--

BCW1	Bath Waste With Clicker Type Mushroom Plug. Fixed Overflow (Stainless Steel)
------	--






BASIN & BATH WASTE SPARES SECTION


BASIN WASTE SPARES

	WASHER BW1 WASHER BW2	Washer for plug for BW1 & 2 Types
	WASHER BW3	Washer for plug for BW3
	CLICKER BW1 CLICKER BW2 CLICKER ECBW1	Clicker Mechanism for BW1 & 2

BATH WASTE SPARES

	WASHER BPUW1	Washer for BPUW1 Plug
	WASHER BPUW2	Washer for BPUW2 Plug
	WASHER BCW1	Washer for BCW1 Plug
	CLICKER BCW1 CLICKER BFW1	Clicker Mechanism for BCW1 Waste
	SCREW BPU	Screw for Plugs on BPUW1 & 2 Wastes

TO ALLOW BPUW1, BPUW2 TO FIT ONTO THICKER BATHS:

	Ext Screw (80mm Total Length)		Ext Thread (80mm Total Length)
---	----------------------------------	---	-----------------------------------



COMPLETE WASTE RANGE

BASIN OVERFLOW COVER INSERTS



Basin Overflow Inserts / Various Sizes and Finishes Available



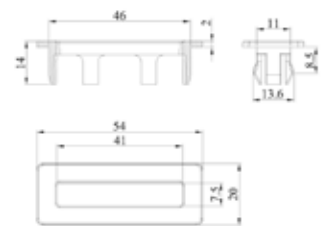
SINGLES - CHROME
OF2



SINGLES - ANTIQUE BRASS
OF2-AB



SINGLES - BLACK
OF2-BLK



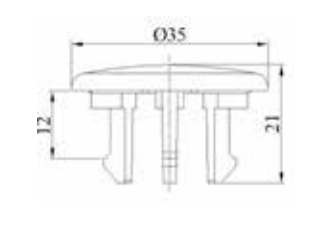
BAG OF 5 - CHROME
OF3



BAG OF 5 - ANTIQUE BRASS
OF3-AB



BAG OF 5 - BLACK
OF3-BLK



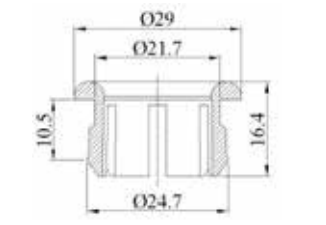
BAG OF 5 - CHROME
OF4



BAG OF 5 - ANTIQUE BRASS
OF4-AB



BAG OF 5 - BLACK
OF4-BLK



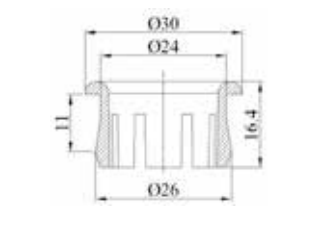
BAG OF 5 - CHROME
OF5



BAG OF 5 - ANTIQUE BRASS
OF5-AB



BAG OF 5 - BLACK
OF5-BLK



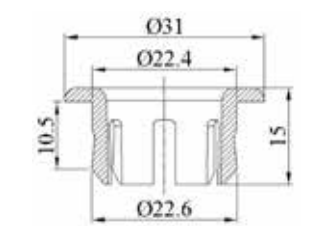
BAG OF 5 - CHROME
OF6



BAG OF 5 - ANTIQUE BRASS
OF6-AB



BAG OF 5 - BLACK
OF6-BLK



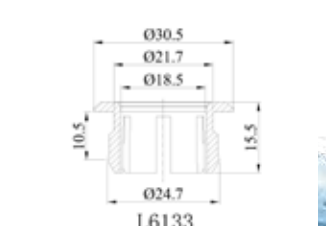
BAG OF 5 - CHROME
OF7



BAG OF 5 - ANTIQUE BRASS
OF7-AB



BAG OF 5 - BLACK
OF7-BLK



COMPLETE
WASTES
RANGE

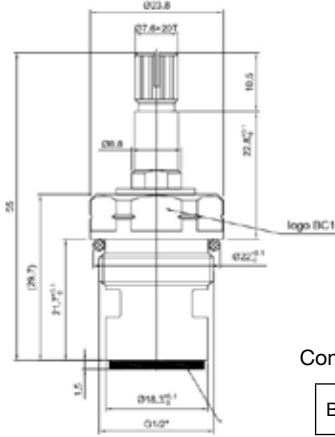
TAP CARTRIDGES

THE NEW RANGE

Actual Size Pictures for Easy Comparison

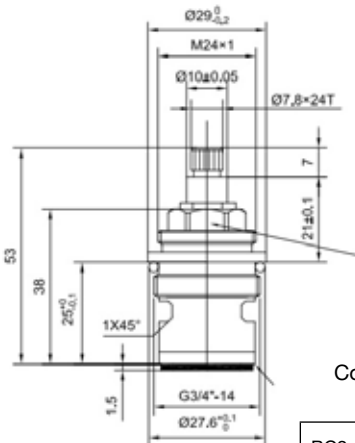


TAP
CARTRIDGES
RANGE



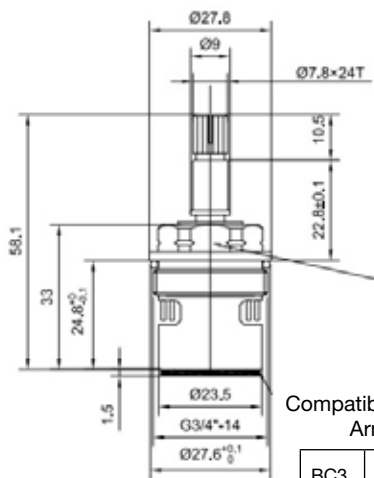
SOLD IN PAIRS
COMPATIBLE WITH SPLINE CC7
Compatible with Ideal Standard Tantadisc 1/2" Taps

BC1	Cartridge BC1
-----	---------------



SOLD IN PAIRS
COMPATIBLE WITH SPLINE CC9
Compatible with Ultra Flow / Hudson Reed
Taps 3/4"

BC2	Cartridge BC2
-----	---------------




SOLD IN PAIRS
COMPATIBLE WITH SPLINE RC6
Compatible with Ideal Standard / Trevi / Sottini /
Armitage Shanks / Sandringham 3/4" Taps

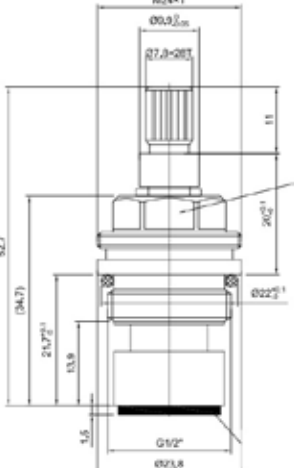
BC3	Cartridge BC3
-----	---------------

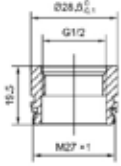
TAP CARTRIDGES RANGE

52.7 mm



28 mm





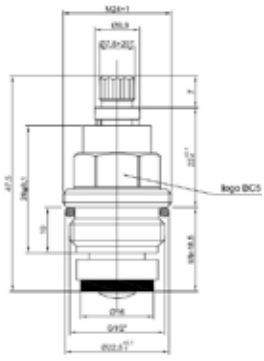
CARTRIDGES ONLY SOLD IN PAIRS
COMPATIBLE WITH SPLINE CC15
 Compatible with Franke Eiger ½" Tap - Sold
 As Complete Set Only

BC4	Cartridge BC4
-----	---------------

47.5 mm




24 mm



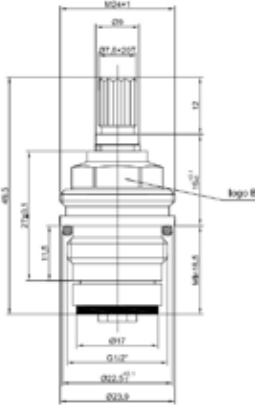
SOLD SEPARATELY
COMPATIBLE WITH SPLINE CC4
 Compatible with Ultra Flow / Hudson Reed Taps ½"

BC5	Cartridge BC5
-----	---------------

49.5 mm




24 mm



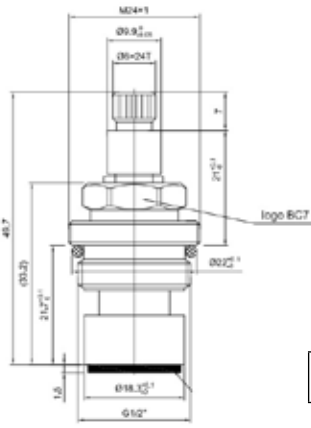
SOLD SEPARATELY
COMPATIBLE WITH SPLINE RC1
 Compatible with Ideal Standard Trevi Taps ½"

BC6	Cartridge BC6
-----	---------------

49.7 mm



24 mm



SOLD IN PAIRS
COMPATIBLE WITH SPLINE CC11
 Compatible with Ultra SPR Taps ½"

BC7	Cartridge BC7
-----	---------------



The BC Box

A great way to store our Brand New Cartridge Range!

The BC Box contains 2 pairs of all BC type cartridges from BC1 to BC7 - (14 cartridges in total) including collars with type BC4.

BCBOX	BC Cartridge Box
-------	------------------



TAP
CARTRIDGES
RANGE

The GIGA Box

A great way to store your Tap Cartridge Range!

The Giga Box measures 46cm Wide x 36cm Deep x 8cm High allowing storage of up to 5 pairs of our CC and RC Tap Cartridge range. There's even space for spares too!

- Extremely durable
- Strong latches and handle
- More space

GIGA	Empty Giga Box
GIGA1	Filled Giga Box (See Below)
GIGA2	Filled Giga Box (See Below)



SPECIAL GIGA box DEAL

Get Giga Box filled with one pair of all CC, RC, CC15-1 Cartridges. Including Spline Finder, Spares Pack and Adaptor Kit.

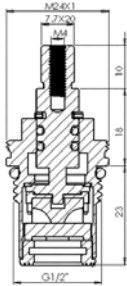
OR

Get Giga Box filled with two pairs of all CC, RC, CC15-1 Cartridges. Including Spline Finder, Spares Pack and Adaptor Kit.

TAP CARTRIDGES RANGE

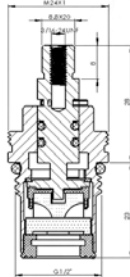
TAP CARTRIDGES

THE ORIGINAL RANGE



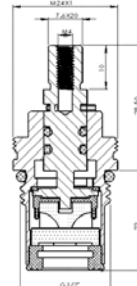
SOLD IN PAIRS ONLY

CC1 Ceramic Cartridge 1



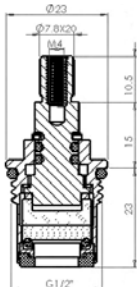
SOLD IN PAIRS ONLY

CC2 Ceramic Cartridge 2



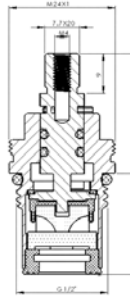
SOLD IN PAIRS ONLY

CC3 Ceramic Cartridge 3



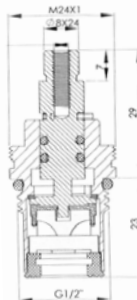
SOLD IN PAIRS ONLY

CC4 Ceramic Cartridge 4



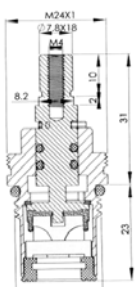
SOLD IN PAIRS ONLY

CC5 Ceramic Cartridge 5



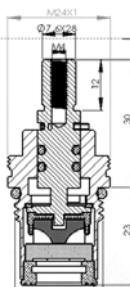
SOLD IN PAIRS ONLY

CC6 Ceramic Cartridge 6



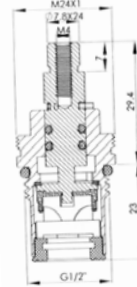
SOLD IN PAIRS ONLY

CC7 Ceramic Cartridge 7



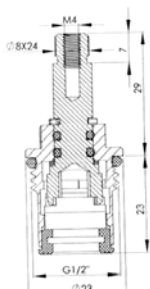
SOLD IN PAIRS ONLY

CC8 Ceramic Cartridge 8



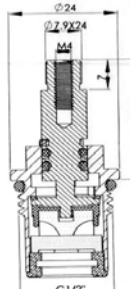
SOLD IN PAIRS ONLY

CC9 Ceramic Cartridge 9



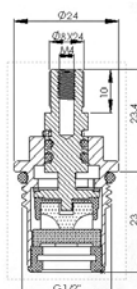
SOLD IN PAIRS ONLY

CC10 Ceramic Cartridge 10



SOLD IN PAIRS ONLY

CC11 Ceramic Cartridge 11

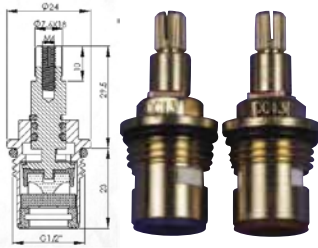


SOLD IN PAIRS ONLY

CC12 Ceramic Cartridge 12

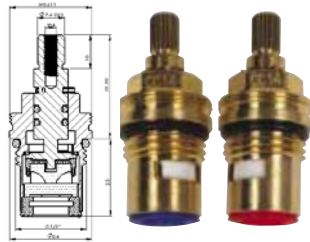
TAP CARTRIDGES RANGE

TAP CARTRIDGES RANGE



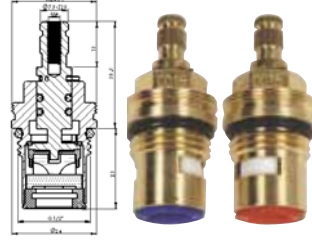
SOLD IN PAIRS ONLY

CC13	Ceramic Cartridge 13
------	----------------------



SOLD IN PAIRS ONLY

CC14	Ceramic Cartridge 14
------	----------------------



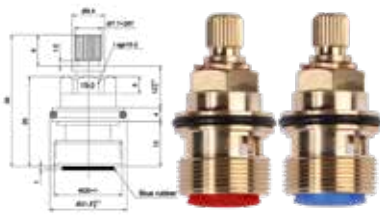
SOLD IN PAIRS ONLY

CC15	Ceramic Cartridge 15
------	----------------------



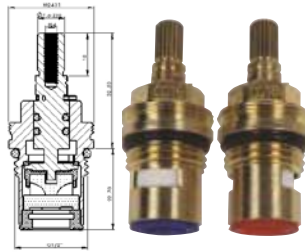
SOLD IN PAIRS ONLY

CC15-1	Ceramic Cartridge 15-1
--------	------------------------



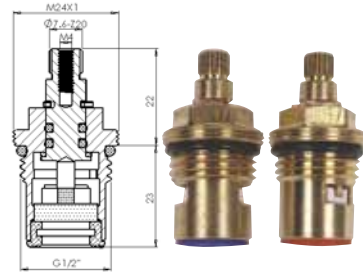
SOLD IN PAIRS ONLY

CC15-2	Ceramic Cartridge 15-2
--------	------------------------



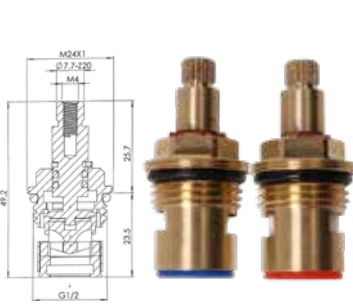
SOLD IN PAIRS ONLY

CC16	Ceramic Cartridge 16
------	----------------------



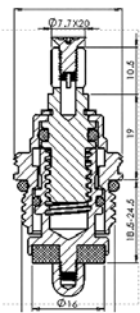
SOLD IN PAIRS ONLY

CC17	Ceramic Cartridge 17
------	----------------------



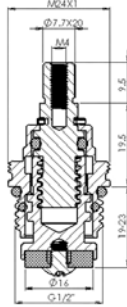
SOLD IN PAIRS ONLY

CC18	Ceramic Cartridge 18
------	----------------------



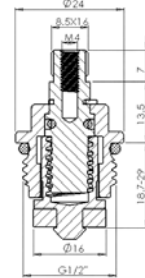
SOLD SEPARATELY

RC1	Rubber Washer Cartridge 1
-----	---------------------------



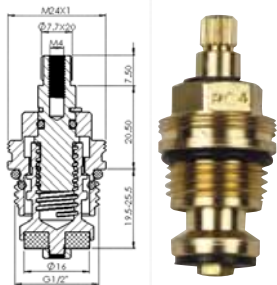
SOLD SEPARATELY

RC2	Rubber Washer Cartridge 2
-----	---------------------------



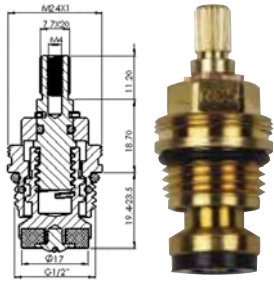
SOLD SEPARATELY

RC3	Rubber Washer Cartridge 3
-----	---------------------------



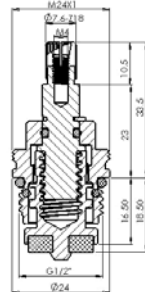
SOLD SEPARATELY

RC4	Rubber Washer Cartridge 4
-----	---------------------------



SOLD SEPARATELY

RC5	Rubber Washer Cartridge 5
-----	---------------------------



SOLD SEPARATELY

RC6	Rubber Washer Cartridge 6
-----	---------------------------



Price exclusive of ceramic tap cartridges

SOLD IN PAIRS ONLY

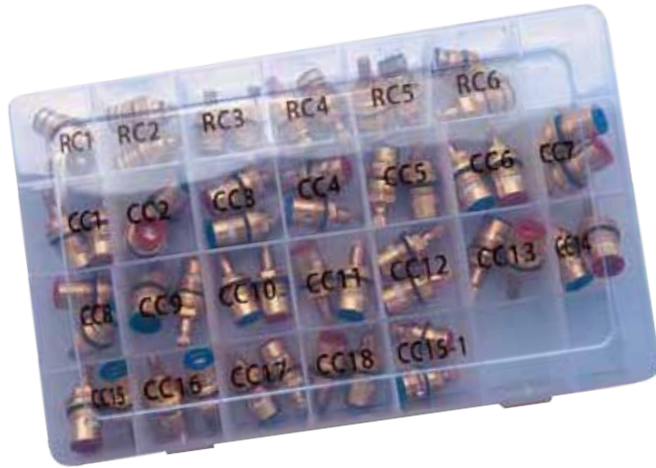
AK	Ceramic Adaptor Kit
----	---------------------

TAP CARTRIDGES RANGE

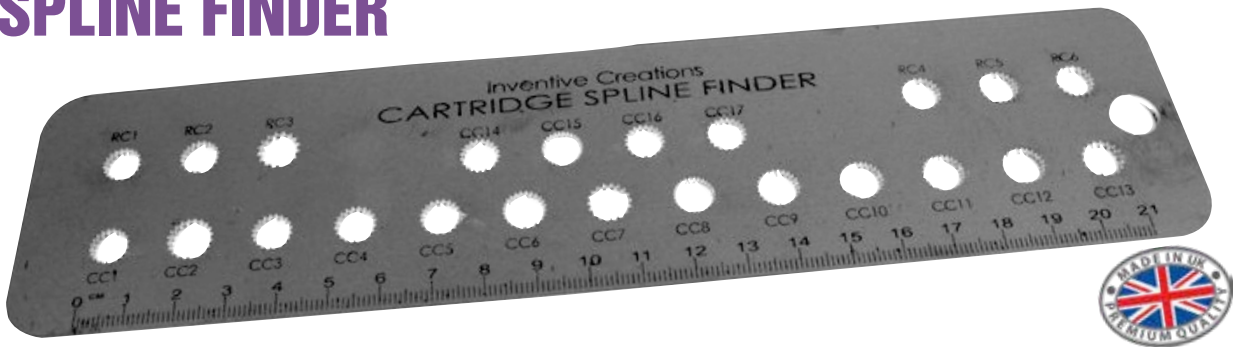
TOP BOX

Includes 6 Pairs of Rubber Type Cartridges and 19 Pairs of Ceramic Disc Type Cartridges complete with complimentary brass screws.

All supplied in a handy carry case at no extra cost!



SPLINE FINDER



The Spline finder is another innovative idea from Inventive Creations Ltd. It is a must for anyone that stocks and sells our range of tap cartridges. It is a simple tool for you, the retailer, to identify and match your customer's old faulty tap cartridges to one of the many cartridges from our range.

Simply place your customer's old tap cartridge spline - (the spline is the top of the cartridge that the tap head slots onto) - into the different holes in the Spline finder. Each hole in the Spline finder has a tap cartridge code printed next to it. This will help you find which tap cartridge from our range will fit in that situation. A simple but extremely effective selling tool for your convenience.

SPARES PACK

Pack consists of 10 assorted screws

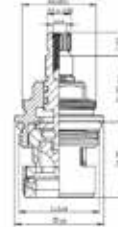
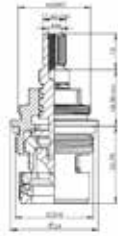
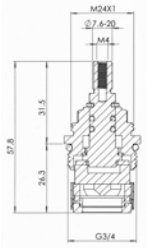


Top Box
Complete kit supplied in labeled box

TB	Top Box: 19x pairs CC's & 6x pairs of RC's	SF	Splinefinder
		SP	Spares Pack

3/4 CARTRIDGES & CARTRIDGE BOX

TAP
CARTRIDGES
RANGE



COMPATIBLE WITH SPLINE CC1 SOLD IN PAIRS ONLY

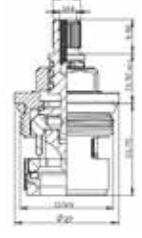
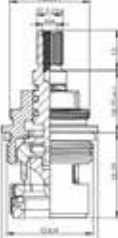
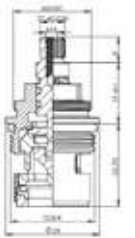
CL1	3/4 Cartridge 1
-----	-----------------

COMPATIBLE WITH SPLINE CC3 SOLD IN PAIRS ONLY

CL3	3/4 Cartridge 3
-----	-----------------

COMPATIBLE WITH SPLINE CC4 SOLD IN PAIRS ONLY

CL4	3/4 Cartridge 4
-----	-----------------



COMPATIBLE WITH SPLINE CC4 SOLD IN PAIRS ONLY

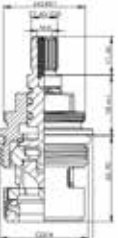
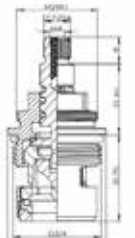
CL4-1	3/4 Cartridge 4-1
-------	-------------------

COMPATIBLE WITH SPLINE CC9 SOLD IN PAIRS ONLY

CL9	3/4 Cartridge 9
-----	-----------------

COMPATIBLE WITH SPLINE CC9 SOLD IN PAIRS ONLY

CL9-1	3/4 Cartridge 9-1
-------	-------------------

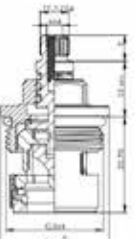


COMPATIBLE WITH SPLINE CC11 SOLD IN PAIRS ONLY

CL11	3/4 Cartridge 11
------	------------------

COMPATIBLE WITH SPLINE CC16 SOLD IN PAIRS ONLY

CL16	3/4 Cartridge 16
------	------------------



COMPATIBLE WITH SPLINE CC17 SOLD IN PAIRS ONLY

CL17	3/4 Cartridge 17
------	------------------



CARTRIDGE BOX consists of:

18x pairs of 3/4 cartridges

(2 pairs of each type)

CLBOX	3/4 Cartridge Box
-------	-------------------

MONOBLOC TAP CARTRIDGES



M1	MONOBLOC tap cartridge 40mm Diameter <ul style="list-style-type: none"> • Inlet Centres: 14mm • Locating Peg Centres: 24mm • Overall Height (incl. Peg): 78mm
----	---



M2	MONOBLOC tap cartridge 40mm Diameter <ul style="list-style-type: none"> • Inlet Centres: 14mm • Locating Peg Centres: 24mm • Overall Height (incl. Peg): 64mm
----	---



M3	MONOBLOC tap cartridge 35mm Diameter <ul style="list-style-type: none"> • Inlet Centres: 14mm • Locating Peg Centres: 18mm • Overall Height (incl. Peg): 73mm
----	---



M4	MONOBLOC tap cartridge 35mm Diameter <ul style="list-style-type: none"> • Inlet Centres: 14mm • Locating Peg Centres: 18mm • Overall Height (incl. Peg): 72mm
----	---



M5	MONOBLOC tap cartridge 35mm Diameter <ul style="list-style-type: none"> • Inlet Centres: 14mm • Locating Peg Centres: 18mm • Overall Height (incl. Peg): 62mm
----	---



M6	MONOBLOC tap cartridge 35mm Diameter <ul style="list-style-type: none"> • Inlet Centres: 14mm • Locating Peg Centres: 18mm • Overall Height (incl. Peg): 59mm
----	---



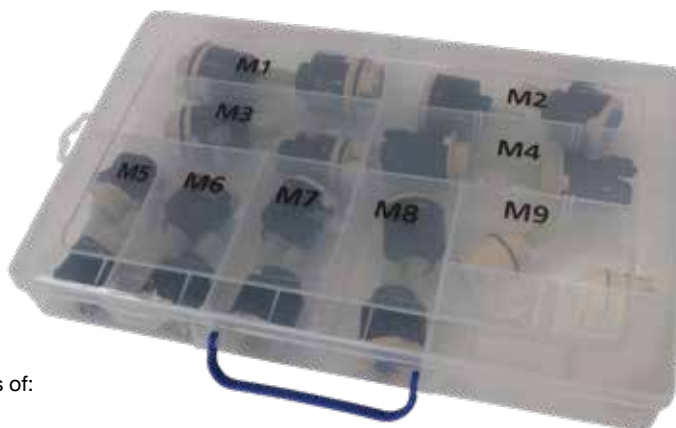
M7	MONOBLOC tap cartridge 35mm Diameter <ul style="list-style-type: none"> • Inlet Centres: 14mm • Locating Peg Centres: 18mm • Overall Height (incl. Peg): 59mm
----	---



M8	MONOBLOC tap cartridge 35mm Diameter <ul style="list-style-type: none"> • Inlet Centres: 14mm • Locating Peg Centres: 18mm • Overall Height (incl. Peg): 59mm
----	---

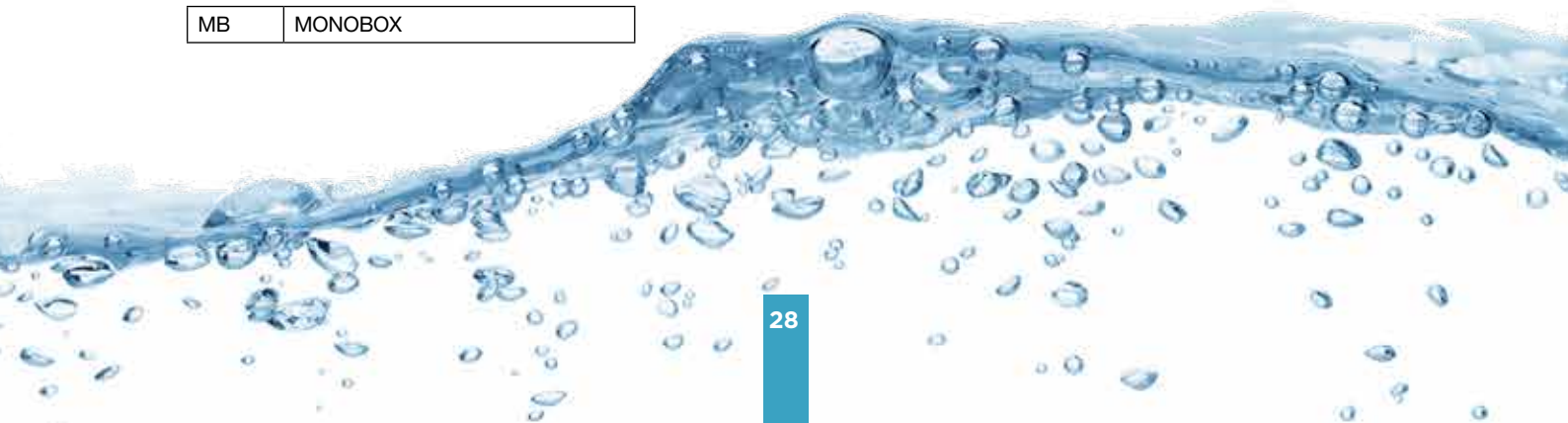


M9	MONOBLOC tap cartridge 25mm Diameter <ul style="list-style-type: none"> • Inlet Centres: 9mm • Locating Peg Centres: 16mm • Overall Height (incl. Peg): 57mm
----	--



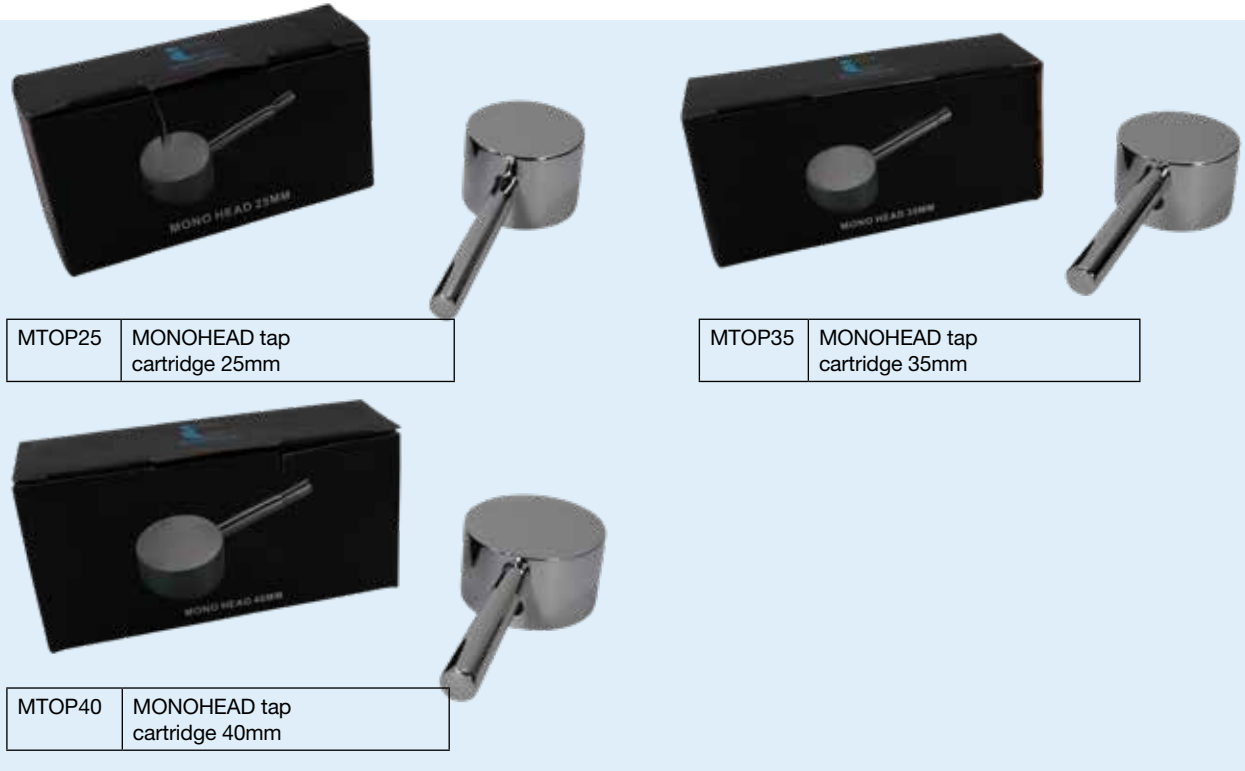
MONOBOX consists of:
 2x Mono's 1 to 9

MB	MONOBOX
----	---------



MONO HEADS

Our brand new range of complimentary Mono Tap Heads will freshen up old worn out mono basin mixers. These heads are sold to suit our own range of Mono Cartridges. Each size head will fit any of our same sized Mono Cartridges on page 24. This allows your customer to not only change the inside of the tap - but freshen up the handle too.



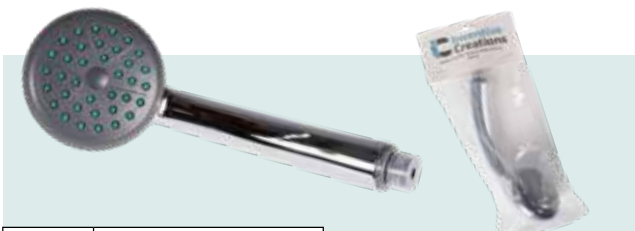
TAP
CARTRIDGES
RANGE

SHOWER MISCELLANEOUS RANGE

SHOWER HEADS



CODE	DESCRIPTION
SKU7	Single mode



CODE	DESCRIPTION
SKU8	Single mode



CODE	DESCRIPTION
SKU9	3 Function Spray



CODE	DESCRIPTION
SKU10	3 Function Spray



CODE	DESCRIPTION
SKU11	7 Function Spray



CODE	DESCRIPTION
SKU12	5 Function Spray

SHOWER CURTAINS



CODE	DESCRIPTION
SKU1	White 1800 x 1800 Shower Curtain (includes hooks)

CODE	DESCRIPTION
SKU2	White 1800 x 2000 Shower Curtain (includes hooks)



CODE	DESCRIPTION
SKU3	3D Water cube – Mildrew-proof, Shower Curtain 1800 x 1800 (including hooks)

CODE	DESCRIPTION
SKU4	3D Water cube – Mildrew-proof, Shower Curtain (including hooks)

SHOWER HOSES

Standard Bore Shower Hoses – 7mm Bore

Compatible with standard shower brackets



CODE	DESCRIPTION	LENGTH
SKU23	Polished Chrome Standard Shower Hoses	1000mm

CODE	DESCRIPTION	LENGTH
SKU13	Polished Chrome Standard Shower Hoses	1500mm

CODE	DESCRIPTION	LENGTH
SKU24	Polished Chrome Standard Shower Hoses	1750mm

CODE	DESCRIPTION	LENGTH
SKU14	Polished Chrome Standard Shower Hoses	2000mm



CODE	DESCRIPTION	LENGTH
SKU15	PVC Smooth Easy Clean Silver Shower Hoses	1500mm

CODE	DESCRIPTION	LENGTH
SKU16	PVC Smooth Easy Clean Silver Shower Hoses	2000mm

Large Bore Shower Hoses – 11mm Bore

Compatible with standard shower brackets



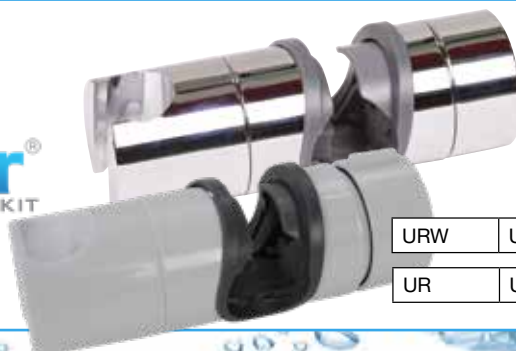
CODE	DESCRIPTION	LENGTH
SKU25	Polished Chrome Large Bore Shower Hose	1000mm

CODE	DESCRIPTION	LENGTH
SKU26	Polished Chrome Large Bore Shower Hose	1500mm



CODE	DESCRIPTION	LENGTH
SKU27	Polished Chrome Large Bore Shower Hose	1750mm

CODE	DESCRIPTION	LENGTH
SKU28	Polished Chrome Large Bore Shower Hose	2000mm



18 - 25mm easy to fit, fully adjustable shower head riser kit

URW	Uniriser White
UR	Uniriser Chrome

WASHER RANGE

WASHERS RANGE

Create your range

All washers are supplied in blister packs in 10 quantities



W1	3/4" Wash Mac Washer	Blister pack of 10
----	----------------------	--------------------

W2	3/4" Tantafox Type Tap Washer	Blister pack of 10
----	-------------------------------	--------------------

W3	1/2" Tantafox Type Tap Washer	Blister pack of 10
----	-------------------------------	--------------------

W4	1/2" Dome Tap Washer	Blister pack of 10
----	----------------------	--------------------



W5	3/4" Dome Tap Washer	Blister pack of 10
----	----------------------	--------------------

W6	1/2" Delta Type Tap Washer	Blister pack of 10
----	----------------------------	--------------------

W7	3/4" Delta Type Tap Washer	Blister pack of 10
----	----------------------------	--------------------

W8	1/2" Drain Off Washer	Blister pack of 10
----	-----------------------	--------------------



W9	1/2" Shower Hose Washer	Blister pack of 10
----	-------------------------	--------------------

W10	3/4" x 1/8" Red Ball Valve Washer	Blister pack of 10
-----	-----------------------------------	--------------------

W11	1/2" x 1/8" Red Ball Valve Washer	Blister pack of 10
-----	-----------------------------------	--------------------

W12	3/4" x 1/8" Ball Valve Washer	Blister pack of 10
-----	-------------------------------	--------------------



W13	1/2" x 1/8" Ball Valve Washer	Blister pack of 10
-----	-------------------------------	--------------------

W14	3/4" Flat Tap Washer	Blister pack of 10
-----	----------------------	--------------------

W15	1/2" Flat Tap Washer	Blister pack of 10
-----	----------------------	--------------------

W16	3/8" Flat Tap Washer	Blister pack of 10
-----	----------------------	--------------------

WASHER RANGE

WASHER RANGE



W17	3/8 Flat Tap Washer	Blister pack of 10
-----	---------------------	--------------------



W18	1.1/2 Conical Waste Outlet Washer	Blister pack of 10
-----	-----------------------------------	--------------------



W19	1.1/4 Conical Waste Outlet Washer	Blister pack of 10
-----	-----------------------------------	--------------------



W20	1.1/2 Bottle Trap Washer	Blister pack of 10
-----	--------------------------	--------------------



W21	1.1/4 Bottle Trap Washer	Blister pack of 10
-----	--------------------------	--------------------



W22	Fluid Master Type Ball Valve Washer	Blister pack of 10
-----	-------------------------------------	--------------------



W23	Standard Part 2 Ball Valve Washer	Blister pack of 10
-----	-----------------------------------	--------------------



W24	Torbeck Type Ball Valve Washer	Blister pack of 10
-----	--------------------------------	--------------------



W25	Stamp Type Ball Valve Washer	Blister pack of 10
-----	------------------------------	--------------------



W26	Hush Flo Armitage Type Ball Valve Washer	Blister pack of 10
-----	--	--------------------



W27	Grohe Type Ball Valve Washer	Blister pack of 10
-----	------------------------------	--------------------



W28	Wisa Type Ball Valve Washer	Blister pack of 10
-----	-----------------------------	--------------------



W29	New Armitage Type Ball Valve Washer	Blister pack of 10
-----	-------------------------------------	--------------------



W30	Conical Inlet Washer	Blister pack of 10
-----	----------------------	--------------------



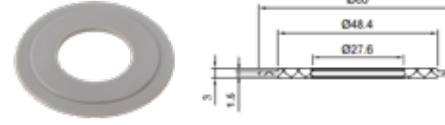



Order £30 + of Pick & Mix washers and get the box free!

WBOX	Washer Box
------	------------

WASHER ADDITIONS

			<table border="1"> <thead> <tr> <th>CODE</th> <th>DESCRIPTION</th> <th>SOLD AS SINGLES IN PACK</th> </tr> </thead> <tbody> <tr> <td>W31</td> <td>White Rubber External Flush Pipe Seal</td> <td></td> </tr> </tbody> </table>	CODE	DESCRIPTION	SOLD AS SINGLES IN PACK	W31	White Rubber External Flush Pipe Seal	
CODE	DESCRIPTION	SOLD AS SINGLES IN PACK							
W31	White Rubber External Flush Pipe Seal								
			<table border="1"> <thead> <tr> <th>CODE</th> <th>DESCRIPTION</th> <th>SOLD AS SINGLES IN PACK</th> </tr> </thead> <tbody> <tr> <td>W32</td> <td>White Rubber Internal Flush Pipe Seal</td> <td></td> </tr> </tbody> </table>	CODE	DESCRIPTION	SOLD AS SINGLES IN PACK	W32	White Rubber Internal Flush Pipe Seal	
CODE	DESCRIPTION	SOLD AS SINGLES IN PACK							
W32	White Rubber Internal Flush Pipe Seal								
			<table border="1"> <thead> <tr> <th>CODE</th> <th>DESCRIPTION</th> <th>SOLD AS SINGLES IN PACK</th> </tr> </thead> <tbody> <tr> <td>W33</td> <td>Black Rubber Grohe Type Flush Pipe Seal</td> <td></td> </tr> </tbody> </table>	CODE	DESCRIPTION	SOLD AS SINGLES IN PACK	W33	Black Rubber Grohe Type Flush Pipe Seal	
CODE	DESCRIPTION	SOLD AS SINGLES IN PACK							
W33	Black Rubber Grohe Type Flush Pipe Seal								
			<table border="1"> <thead> <tr> <th>CODE</th> <th>DESCRIPTION</th> <th>SOLD TOGETHER IN PACK</th> </tr> </thead> <tbody> <tr> <td>W34</td> <td>Arm/Shanks Type Dual Flush Valve Diaphragm Seal And White Clip</td> <td></td> </tr> </tbody> </table>	CODE	DESCRIPTION	SOLD TOGETHER IN PACK	W34	Arm/Shanks Type Dual Flush Valve Diaphragm Seal And White Clip	
CODE	DESCRIPTION	SOLD TOGETHER IN PACK							
W34	Arm/Shanks Type Dual Flush Valve Diaphragm Seal And White Clip								
			<table border="1"> <thead> <tr> <th>CODE</th> <th>DESCRIPTION</th> <th>SOLD AS SINGLES IN PACK</th> </tr> </thead> <tbody> <tr> <td>W35</td> <td>Wisa Sphinx / Impulse Type Flush Valve Seal</td> <td></td> </tr> </tbody> </table>	CODE	DESCRIPTION	SOLD AS SINGLES IN PACK	W35	Wisa Sphinx / Impulse Type Flush Valve Seal	
CODE	DESCRIPTION	SOLD AS SINGLES IN PACK							
W35	Wisa Sphinx / Impulse Type Flush Valve Seal								
			<table border="1"> <thead> <tr> <th>CODE</th> <th>DESCRIPTION</th> <th>SOLD AS SINGLES IN PACK</th> </tr> </thead> <tbody> <tr> <td>W36</td> <td>Black Rubber Universal CC WC Seal</td> <td></td> </tr> </tbody> </table>	CODE	DESCRIPTION	SOLD AS SINGLES IN PACK	W36	Black Rubber Universal CC WC Seal	
CODE	DESCRIPTION	SOLD AS SINGLES IN PACK							
W36	Black Rubber Universal CC WC Seal								
			<table border="1"> <thead> <tr> <th>CODE</th> <th>DESCRIPTION</th> <th>SOLD AS SINGLES IN PACK</th> </tr> </thead> <tbody> <tr> <td>W37</td> <td>Siamp Type Base Sealing Washer For Storm 33A And Skipper 45 Flush Valve 72mm Diameter 23mm Hole</td> <td></td> </tr> </tbody> </table>	CODE	DESCRIPTION	SOLD AS SINGLES IN PACK	W37	Siamp Type Base Sealing Washer For Storm 33A And Skipper 45 Flush Valve 72mm Diameter 23mm Hole	
CODE	DESCRIPTION	SOLD AS SINGLES IN PACK							
W37	Siamp Type Base Sealing Washer For Storm 33A And Skipper 45 Flush Valve 72mm Diameter 23mm Hole								
			<table border="1"> <thead> <tr> <th>CODE</th> <th>DESCRIPTION</th> <th>SOLD AS SINGLES IN PACK</th> </tr> </thead> <tbody> <tr> <td>W38</td> <td>Siamp Optima Type 49 And 50 Flush Valve Seal – 73mm Diameter 43mm Hole</td> <td></td> </tr> </tbody> </table>	CODE	DESCRIPTION	SOLD AS SINGLES IN PACK	W38	Siamp Optima Type 49 And 50 Flush Valve Seal – 73mm Diameter 43mm Hole	
CODE	DESCRIPTION	SOLD AS SINGLES IN PACK							
W38	Siamp Optima Type 49 And 50 Flush Valve Seal – 73mm Diameter 43mm Hole								
			<table border="1"> <thead> <tr> <th>CODE</th> <th>DESCRIPTION</th> <th>SOLD AS SINGLES IN PACK</th> </tr> </thead> <tbody> <tr> <td>W39</td> <td>Multiquick Type Cistern Flush Valve Sealing Washer – New Style 58mm Diameter 25mm Hole</td> <td></td> </tr> </tbody> </table>	CODE	DESCRIPTION	SOLD AS SINGLES IN PACK	W39	Multiquick Type Cistern Flush Valve Sealing Washer – New Style 58mm Diameter 25mm Hole	
CODE	DESCRIPTION	SOLD AS SINGLES IN PACK							
W39	Multiquick Type Cistern Flush Valve Sealing Washer – New Style 58mm Diameter 25mm Hole								

WASHER RANGE

		CODE	DESCRIPTION	SOLD AS SINGLES IN PACK
		W40	Dudley Pinto Pushflo Type Rubber Flush Valve Outlet Washer (Grey Rubber) 60mm Diameter 24mm Hole	
		CODE	DESCRIPTION	SOLD AS SINGLES IN PACK
		W41	Geberit Type Flush Valve Base Sealing Washer – Clear Rubber 64mm Diameter 32mm Hole	
		CODE	DESCRIPTION	SOLD AS SINGLES IN PACK
		W42	Multiquick Type Cistern Flush Valve Sealing Washer – Old Style 60mm Diameter 22mm Hole	
		CODE	DESCRIPTION	SOLD AS SINGLES IN PACK
		W43	Wirquin Jollyflush Type Grey Rubber Outlet/Flush Valve Base Sealing Washer	
		CODE	DESCRIPTION	SOLD AS SINGLES IN PACK
		W44	Foam Donut Hex Washer	
		CODE	DESCRIPTION	SOLD AS A KIT IN PACK
		W45	2" Close Coupling Kit Foam Donut Washer	
		CODE	DESCRIPTION	SOLD AS A KIT IN PACK
		W46	1 1/2" Close Coupling Kit Rubber Donut Washer	
		CODE	DESCRIPTION	SOLD AS A KIT IN PACK
		W47	Ideal Standard 1 1/2 Type Close Coupling Kit Rubber Donut Washer	
		CODE	DESCRIPTION	SOLD AS SINGLES IN PACK
		W48	Basin Waste Sealing Washer Kit	
		CODE	DESCRIPTION	SOLD AS SINGLES IN PACK
		W49	Clear PVC Internal Flushpipe Connector	
		CODE	DESCRIPTION	SOLD AS A KIT IN PACK
		W50	Ideal Standard 2" Type Close Coupling Kit Rubber Doughnut Washer	
		CODE	DESCRIPTION	SOLD IN PACKS OF 10
		W51	Foam Basin Waste Washer	

WASHER RANGE

NEW

NEW

NEW

WASHER RANGE

THE WASHER BOX COLLECTION



Box A

Box A | 60PC O'Ring Box



Box B

Box B | 55PC Fibre Washer Box



Box C

Box C | 225PC O'Ring Box



Box D

Box D | 175PC Fibre & Rubber Washer Set



WASHER RANGE



WASHER
RANGE

Item	Code	Size	Qty	Item	Code	Size	Qty
	R01	3 x 1.5	Blister pack of 10		R17	20 x 3.5	Blister pack of 10
	R02	4.4 x 2	Blister pack of 10		R18	22 x 3.5	Blister pack of 10
	R03	5 x 2	Blister pack of 10		R19	23.5 x 3.5	Blister pack of 10
	R04	7 x 1.5	Blister pack of 10		R20	25 x 3.5	Blister pack of 10
	R05	10 x 1.5	Blister pack of 10		R21	26.5 x 3.5	Blister pack of 10
	R06	13 x 1.5	Blister pack of 10		R22	28 x 3.5	Blister pack of 10
	R07	10 x 2.5	Blister pack of 10		R23	30 x 3.5	Blister pack of 10
	R08	11 x 2.5	Blister pack of 10		R24	31 x 3.5	Blister pack of 10
	R09	13 x 2.5	Blister pack of 10		R25	33 x 3.5	Blister pack of 10
	R10	14 x 2.5	Blister pack of 10		R26	34.5 x 3.5	Blister pack of 10
	R11	16 x 2.5	Blister pack of 10		R27	36 x 3.5	Blister pack of 10
	R12	18 x 2.5	Blister pack of 10		R28	38 x 3.5	Blister pack of 10
	R13	19 x 2.5	Blister pack of 10		R29	41 x 3.5	Blister pack of 10
	R14	21 x 2.5	Blister pack of 10		R30	44 x 3.5	Blister pack of 10
	R15	22 x 2.5	Blister pack of 10		R31	47 x 3.5	Blister pack of 10
	R16	18 x 3.5	Blister pack of 10		R32	50 x 3.5	Blister pack of 10

All 'O' rings sold in blister packs of 10 qty
PLEASE NOTE ALL PRICES INDICATED ARE NET OF VAT

UNI PRODUCT RANGE

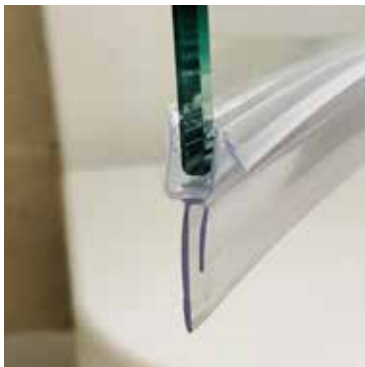
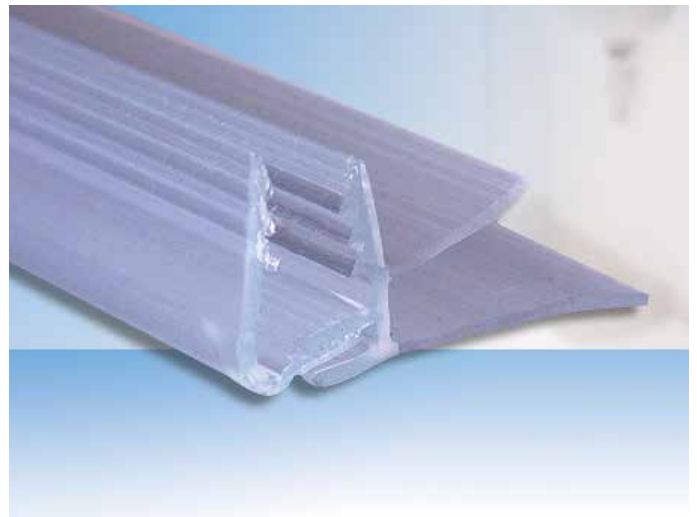
UNI PRODUCT RANGE



Tried everything else?

NOW TRY THIS!

One seal fits any straight or curved glass screen



All supplied in one pack!

- Fits any 3-8mm thick glass screen
- Fully adjustable patented clip-on system
- Fits large & small gaps
- Made in Great Britain
- Easy to install and clean
- Lasts longer



CODE	DESCRIPTION
UB	UNIBLADE - 900mm Long
UB10	Pack of 10 UNIBLADE - 900mm Long
UB15	Uniblade 1500mm



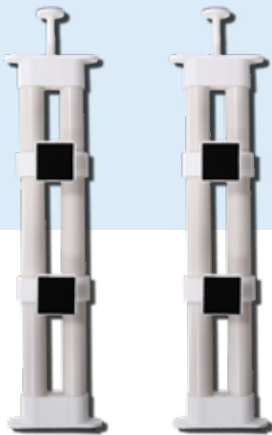
BATH PANEL FIXING KIT



UNI
PRODUCT
RANGE



- Easy and quick to install
- Save time and money
- No need to silicone or screw holes in panels
- Easily removable
- British made patent pending product
- Can be used on wood, acrylic or MDF panels
- Can be used on acrylic or pressed steel baths
- Suitable for standards baths, showers baths and corners baths
- Maximum/Minimum heights from floor to underside of bath achievable as supplied - 550mm Max 489mm Min. – Also, pipes can be cut to achieve any lesser height than those stated



Unipanel Side Panel Pack

UPS	Unipanel Side Panel pack
-----	--------------------------

Unipanel End Panel Pack

UPE	Unipanel End Panel Pack
-----	-------------------------

PLEASE NOTE ALL PRICES INDICATED ARE NET OF VAT



See our install video at:
www.uniblade.co.uk

UNI PRODUCT RANGE



Our latest design is much improved on existing models on the market with the ability to fit bath, shower, basin & bidet waste threads. It also adapts from 32mm to 40mm waste pipe with a simple compression fitting. You can use the trap inline or angled and the rubber membrane prevents unwanted smells or backflow. All in one pack at an unbeatable price. All in all the ultimate waterless trap!

- Fits onto baths, showers, basins and bidets
- Extremely compact - only 73mm deep
- Length from centre of waste 135mm
- Removable bush to adapt to 1 1/2 thread
- Adapt from 40mm to 32mm waste pipe
- Rubber membrane allows flow, prevents smell and backflow
- Can also be used inline if required



'How to Fit Video'

Unitrap

UT	Unitrap
----	---------



uniriser[®]
SHOWER HEAD RISER KIT

18 - 25mm easy to fit, fully adjustable shower head riser kit



URW	Uniriser White
UR	Uniriser Chrome

The **NEW** Improved **uniwheel**® SHOWER DOOR RUNNER

The Universal Shower Door Runner that fits nearly all sliding shower enclosures



- Now in stunning Polished Chrome Finish as standard
- Fits nearly all sliding enclosures
- No tricky measuring
- Unique, high-quality patented design
- Durable stainless steel parts

CODE	DESCRIPTION
UW	Pair of Uniwheels



- Supplied with 3 wheel sizes and extra long grub screw for thicker glass scenarios
- Easy to install instructions
- Online 'How to' video

AAV RANGE

AIR ADMITTANCE VALVES

Our high quality Air Admittance Valves are available in a range of colours and sizes. The 110mm valves can also be ordered for either internal or external installations.



32mm (Black, Grey, Olive Grey and White) with size adaptor for 40mm and 50mm

110mm (Black, Grey, Olive Grey and White)



110mm External Adapter (Black, Grey, Olive Grey and White)



32mm (Black, Grey, Olive Grey and White) with size adaptor for 40mm and 50mm

AAV32BLK	32mm Air Admittance Valve Black
AAV32GRY	32mm Air Admittance Valve Grey
AAV32OLV	32mm Air Admittance Valve Olive Grey
AAV32WHT	32mm Air Admittance Valve White

110mm (Black, Grey, Olive Grey and White) External Adaptor

AAV110EXTBLK	110mm Air Admittance Valve Black
AAV110EXTGRY	110mm Air Admittance Valve Grey
AAV110EXTOLV	110mm Air Admittance Valve Olive Grey
AAV110EXTWHT	110mm Air Admittance Valve White

110mm (Black, Grey, Olive Grey and White)

AAV110BLK	110mm Air Admittance Valve Black
AAV110GRY	110mm Air Admittance Valve Grey
AAV110OLV	110mm Air Admittance Valve Olive Grey
AAV110WHT	110mm Air Admittance Valve White

AAV RANGE

AERATORS

To fit most sink or basin taps



A1

CODE
A1



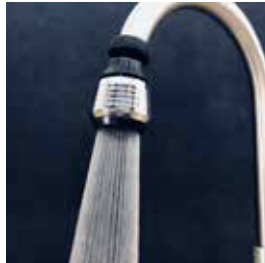
A2

CODE
A2



A3

CODE
A3



CODE
A4



CODE
A5



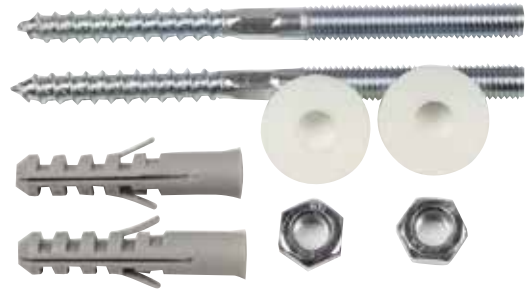
CODE
A6

AERATORS
RANGE

FIXINGS



BFK8 Basin Fixing Kit 8mm



BFK10 Basin Fixing Kit 10mm



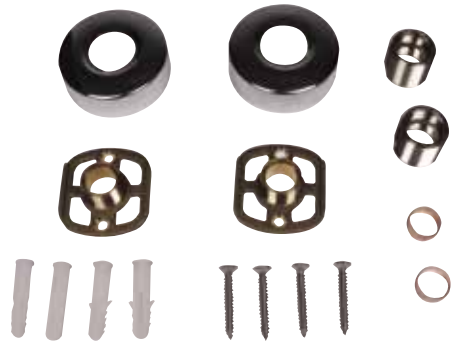
FBRK L-Shaped Toilet Fixing Bracket



STFK Straight Toilet Fixing Kit



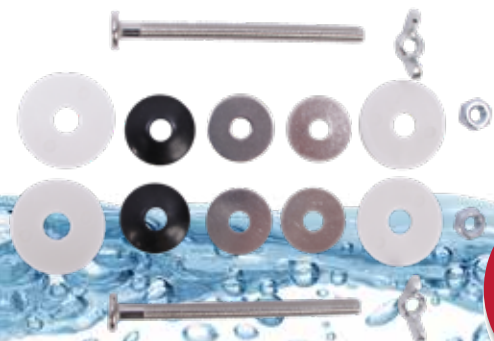
SFK Shower Fixing Kit



SFKS Shower Fixing Kit with Shroud



SFKSQ Shower Fixing Kit with Square Shroud



WCB1 WC Bolts Cistern to Pan Pack

NEW
SOFTER RUBBER
WASHERS

SUPERFIX

Toilet Seat Kit



Replacement Fixings For Top and Bottom Fix Toilet Seats.
Screw on expandable patent pending fixing for Maximum Stability.



'How to Fit Video'



Toilet fixing

TF	Fixing only
----	-------------

SOLD IN PAIRS ONLY

Toilet fixing

TFS	Fixings with hinge & stainless steel covers
-----	---

SOLD IN PAIRS ONLY

MISCELLANEOUS

MISCELLANEOUS



50x per pack

15INSERT	Pipe inserts 15mm
----------	----------------------



50x per pack

22INSERT	Pipe inserts 22mm
----------	----------------------



SPFS110	Flexi Seal Plastic to Plastic
---------	-------------------------------



SPFS100110	Flexi Seal Clay to Plastic
------------	----------------------------



50x per bag

WCAP-M4	M4 size White Fold over Screw Cover Caps
---------	---



50x per bag

WCAP-M5	M5 size White Fold over Caps Screw Cover Caps
---------	--



50x per bag

WCAP-M6	M6 size White Fold over Caps Screw Cover Caps
---------	--



50x per bag

CCAP-M4	M4 size Chrome Plated Metal Screw Cover Caps
---------	---

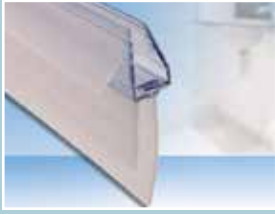


50x per bag

CCAP-M6	M6 size Chrome Plated Metal Screw Cover Caps
---------	---

MISC

SHOWER SEAL RANGE



CODE	DESCRIPTION
UB	UNIBLADE - 900mm Long
UB15	UNIBLADE - 1500mm
10xUB	Box of 10 UNIBLADE - 900mm



CODE	DESCRIPTION
CHA CLEAR 1200	Chameleon Clear - 1200mm
CHA CLEAR 2400	Chameleon Clear - 2400mm



CODE	DESCRIPTION
CHA WHITE 1200	Chameleon White - 1200mm
CHA WHITE 2400	Chameleon White - 2400mm



CODE	DESCRIPTION
CHA GREY 1200	Chameleon Grey - 1200mm
CHA GREY 2400	Chameleon Grey - 2400mm



CODE	DESCRIPTION
UF	UNIFIN - 1900mm (Sold Singularly)



SCAN ME
'How to Fit Video'



CODE	DESCRIPTION
UC	UNICHANNEL Pack - 950mm



SHOWER SEAL RANGE

SHOWER SEAL RANGE

SHOWER SEALS

Seals for 4 to 6mm Glass Thickness



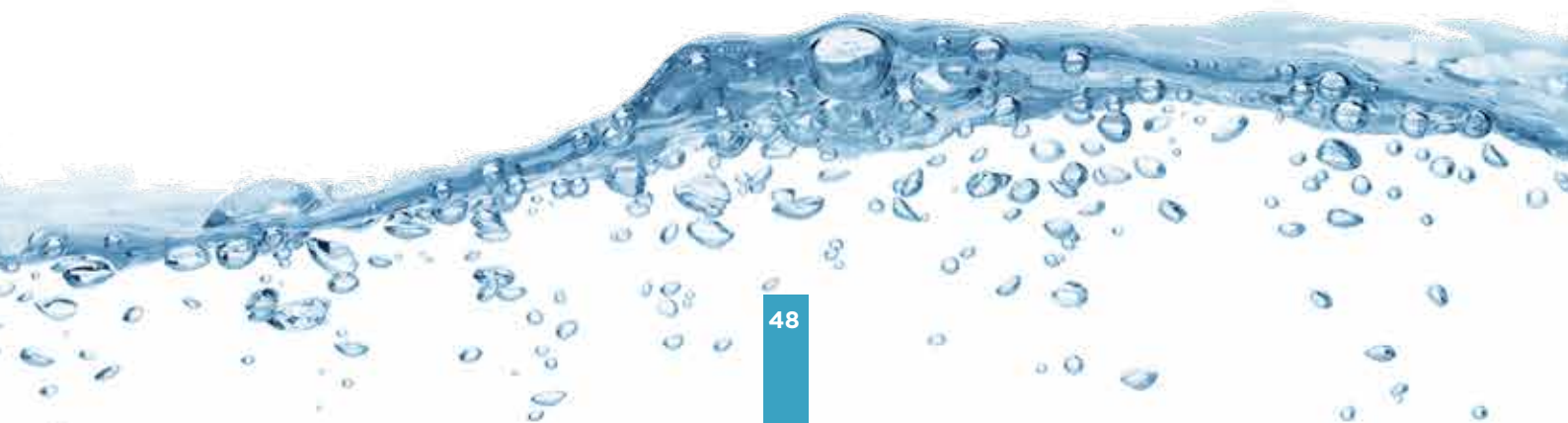
Length Options	800mm Long	1200mm Long	1900mm Long
----------------	------------	-------------	-------------

<p>Seal Code: 6AQ</p>	<p>Seal Code: 6ARDR</p>	<p>Seal Code: 6BD</p>	<p>Seal Code: 6BS</p>
<p>Seal Code: 6DL</p>	<p>Seal Code: 6EL</p>	<p>Seal Code: 6FBD</p>	<p>Seal Code: 6LGCU</p>
<p>Seal Code: 6LGCU (30)</p>	<p>Seal Code: 6SD</p>	<p>Seal Code: 6SFB</p>	<p>Seal Code: BB6</p>
<p>Seal Code: 6PR</p>	<p>Seal Code: MB6</p>	<p>Seal Code: SG6</p>	<p>Seal Code: TF6</p>




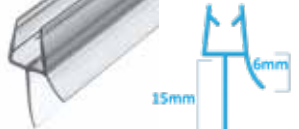
Seals for 8mm Glass Thickness

Length Options	800mm Long	1200mm Long	1900mm Long
----------------	------------	-------------	-------------

<p>Seal Code: 8ARDR</p>	<p>Seal Code: 8BD</p>	<p>Seal Code: 8BS</p>	<p>Seal Code: 8EL</p>
-------------------------	-----------------------	-----------------------	-----------------------


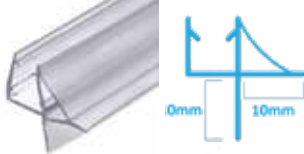
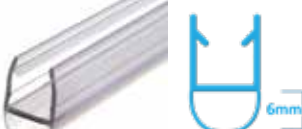




Seals for 8mm Glass Thickness

 Seal Code: 8FBD	 Seal Code: 8LG	 Seal Code: 8UN	 Seal Code: MB8
---	---	--	---

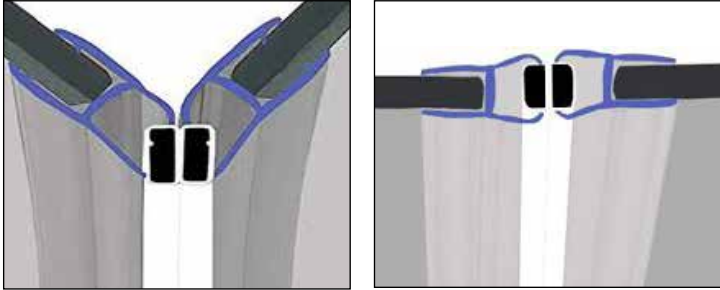
Seals for 10mm Glass Thickness

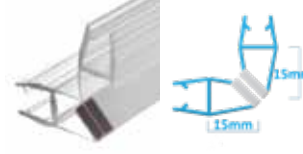


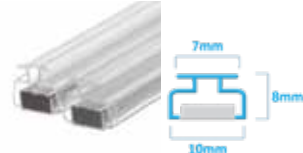
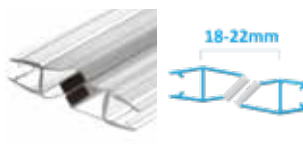


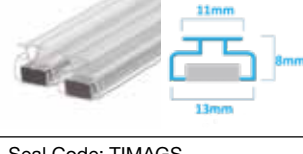
Length Options	800mm Long	1200mm Long	1900mm Long
----------------	------------	-------------	-------------

 Seal Code: 10ARDR	 Seal Code: 10BS	 Seal Code: 10EL
 Seal Code: 10FBD	 Seal Code: 10LGCU	

MAGNETIC SEALS

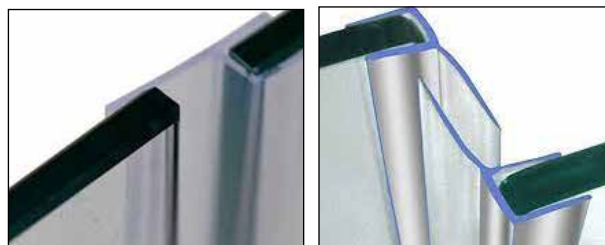
Length Options	1900mm Long
----------------	-------------



<p>6mm Glass Thickness</p>  Seal Code: CMAGS6	<p>8mm Glass Thickness</p>  Seal Code: CMAGS8	<p>10mm Glass Thickness</p>  Seal Code: CMAGS10	 Seal Code: TEEMAGS
 Seal Code: MAGS6 Sold in Pairs	 Seal Code: MAGS8 Sold in Pairs	 Seal Code: MAGS10 Sold in Pairs	 Seal Code: TIMAGS Sold in Pairs

SHOWER SEAL RANGE

VERTICAL SEALS



Seals for 4 to 6mm Glass Thickness



13BF	Vertical Seal 1900mm long	20BF	Vertical Seal 1900mm long	35BF	Vertical Seal 1900mm long
------	---------------------------	------	---------------------------	------	---------------------------

Sold in Pairs

Sold in Pairs



6INL	6mm Shower Seal 1900mm long	6SINL	6mm Shower Seal 1900mm long
------	-----------------------------	-------	-----------------------------

Sold as Single Length

Sold as Single Length

Seals for 8mm Glass Thickness



8.13BF	Vertical Seal 1900mm long	8.20BF	Vertical Seal 1900mm long	8INL	8mm Shower Seal 1900mm long
--------	---------------------------	--------	---------------------------	------	-----------------------------

Sold in Pairs

Sold in Pairs

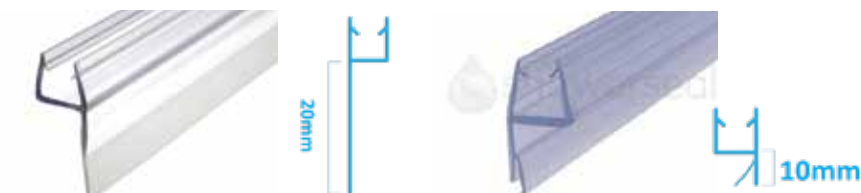
Sold as Single Length



8SINL	8mm Shower Seal 1900mm long
-------	-----------------------------

Sold as Single Length

Seals for 10mm Glass Thickness



10INL	10mm Shower Seal 1900mm long	10SINL	10mm Shower Seal 1900mm long
-------	------------------------------	--------	------------------------------

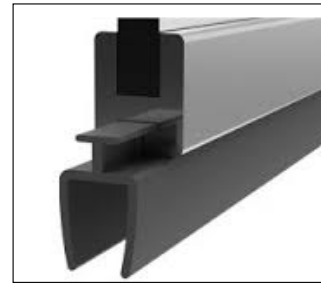
Sold as Single Length

Sold as Single Length

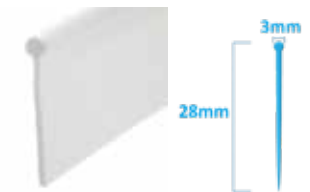


RUBBER SEALS

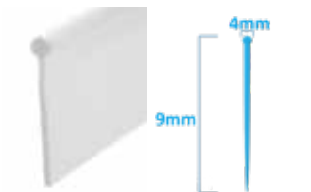
Seals that slide into Metal Channels



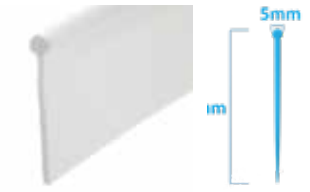
Length Options	800mm Long	1200mm Long	1900mm Long
----------------	------------	-------------	-------------



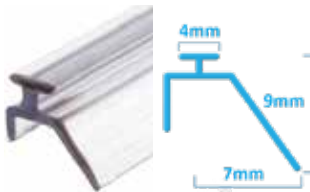
Seal Code: 3BF



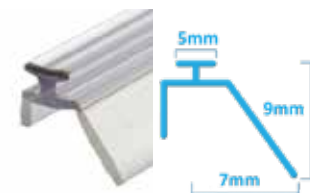
Seal Code: 4BF



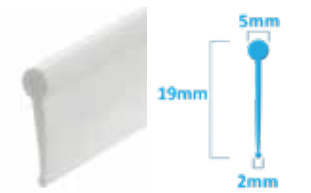
Seal Code: 5BF



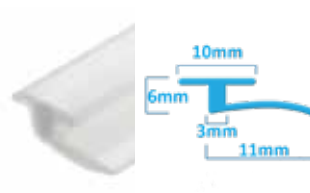
Seal Code: AQTL (Hard plastic)



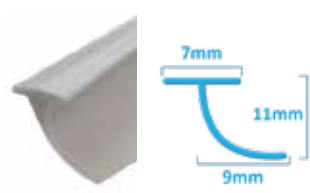
Seal Code: AQTLS (Soft rubber)



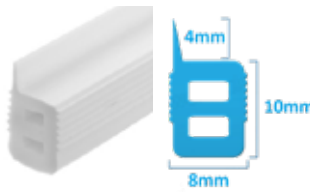
Seal Code: F



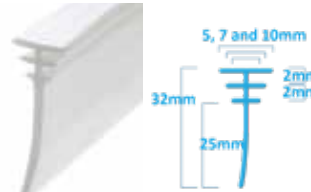
Seal Code: FLTJ



Seal Code: GRYJ



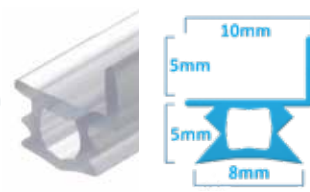
Seal Code: LGPLG



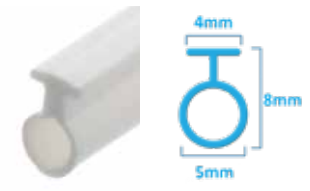
Seal Code: MT



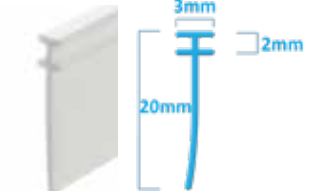
Seal Code: MTB



Seal Code: PLG



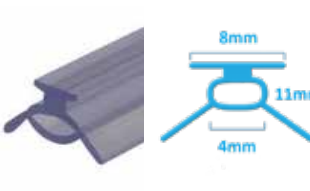
Seal Code: STB



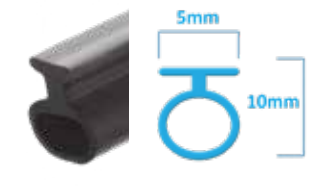
Seal Code: STP



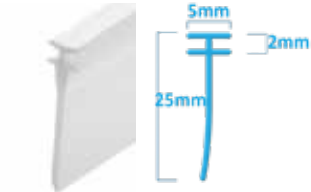
Seal Code: TB



Seal Code: TMTA



Seal Code: TO



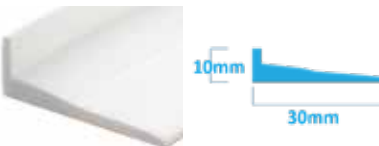
Seal Code: TP



Seal Code: TSP



Seal Code: TX



Seal Code: WED

SHOWER
SEAL
RANGE

